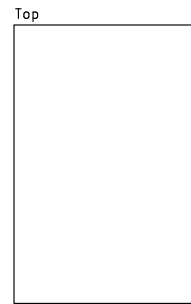
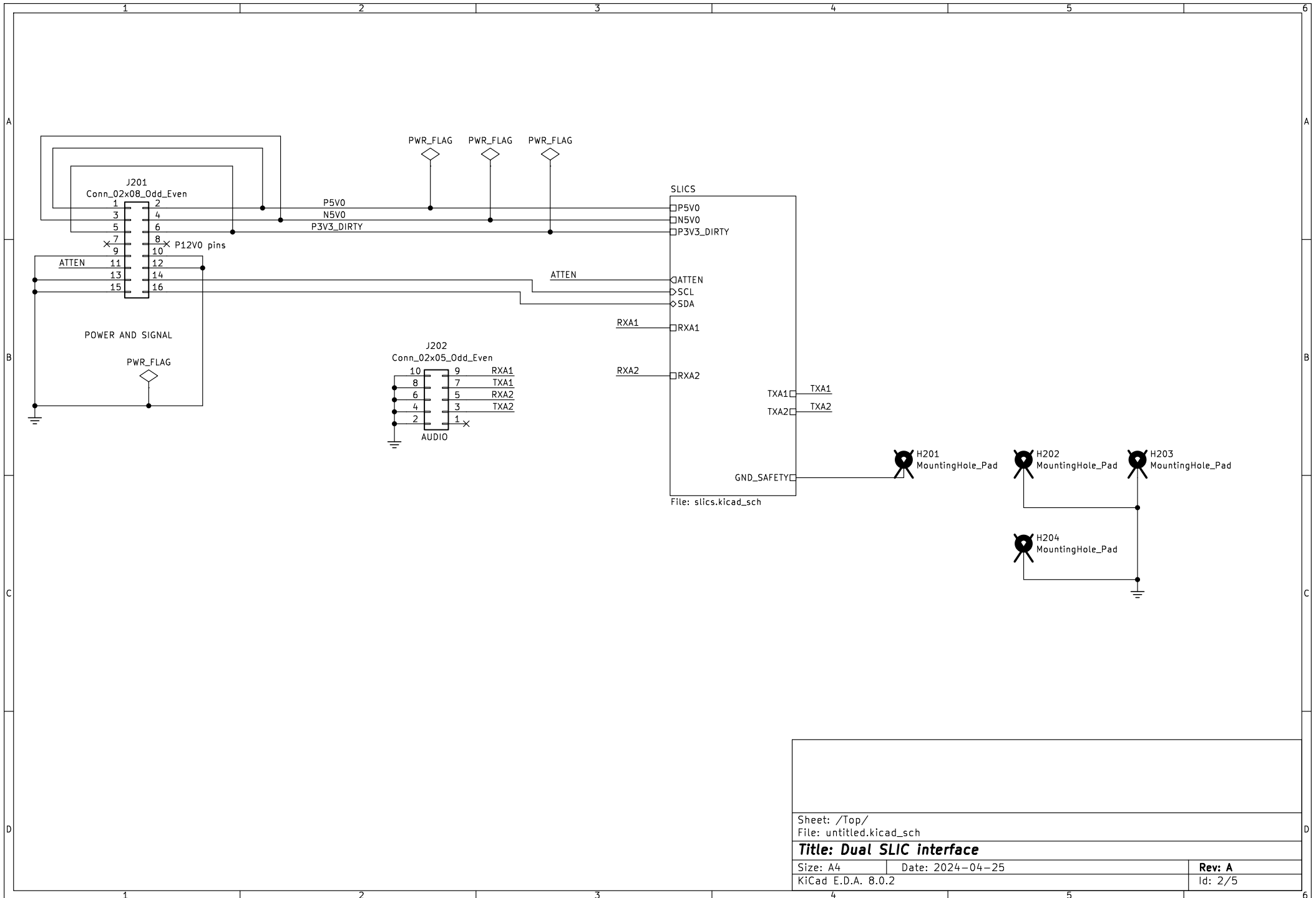


- For Rev B:
1. Change R301, R402, R404 and R501 to 0603 package.
 2. Use non polar diode footprints for TVS and Thyristor parts.

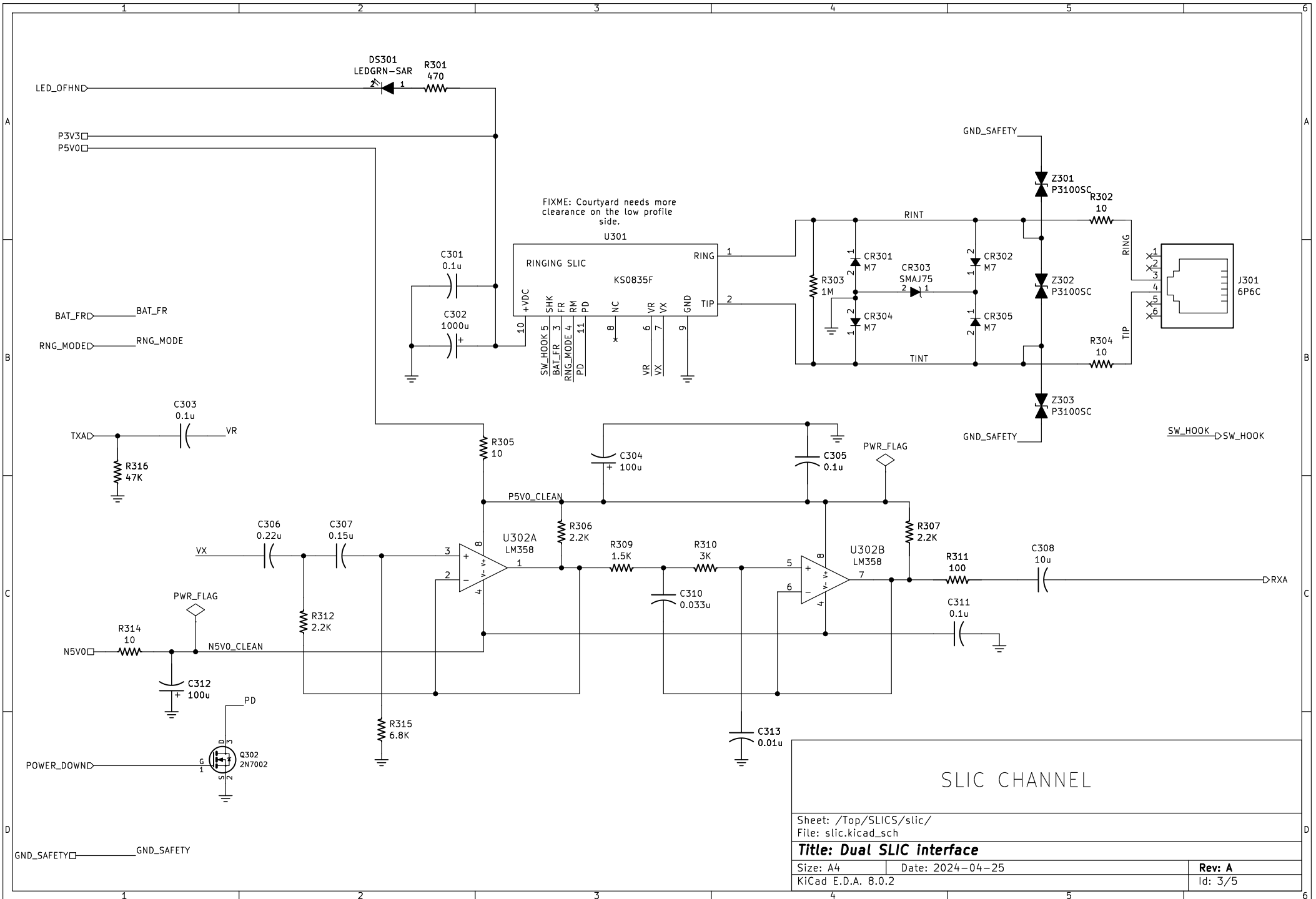


File: untitled.kicad_sch

Sheet: /		File: dual-slic-interface.kicad_sch	
Title: Dual SLIC interface			
Size: A	Date: 2024-04-25	Rev: A	
KiCad E.D.A. 8.0.2		Id: 1/5	

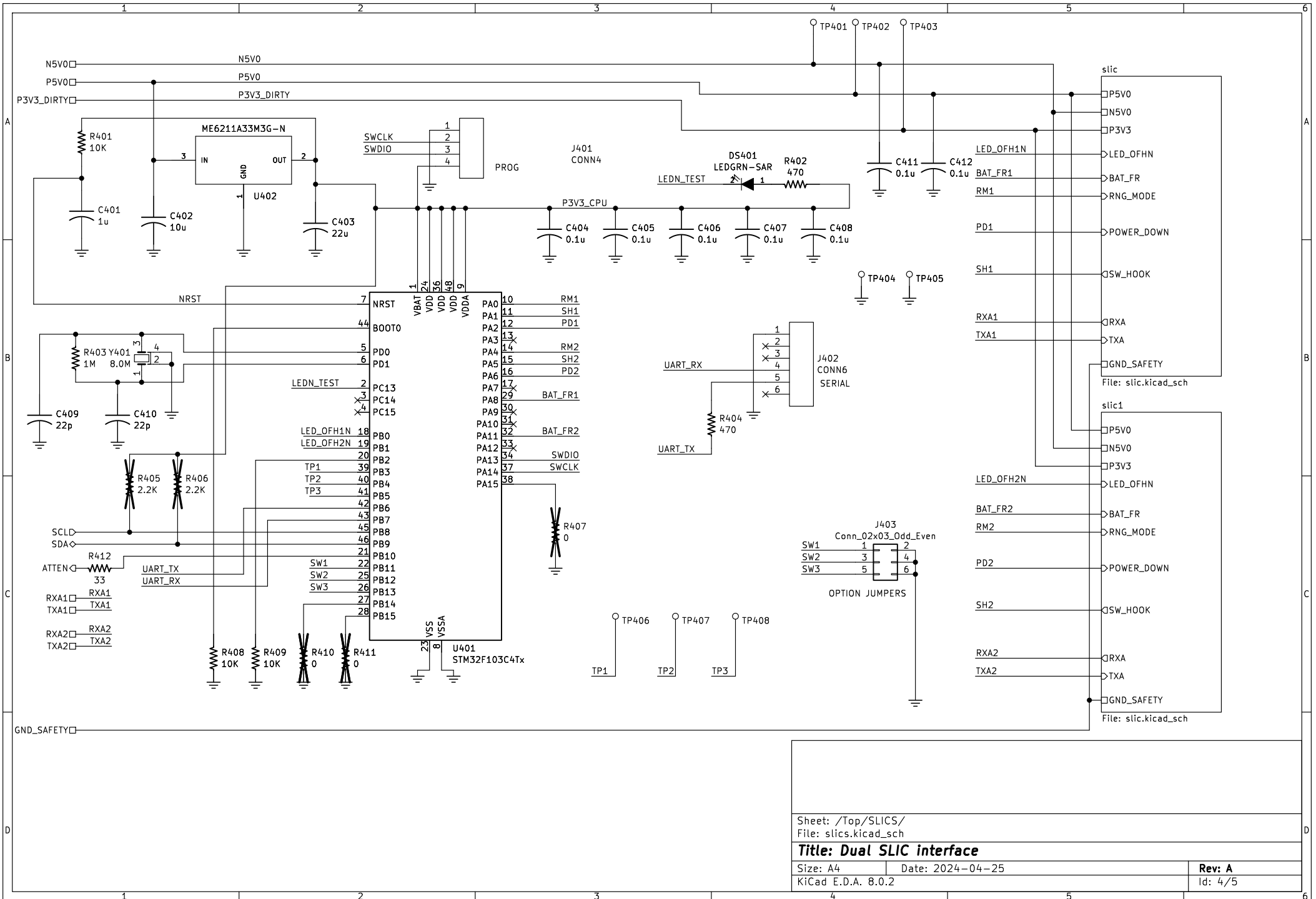


Sheet: /Top/		Date: 2024-04-25	
File: untitled.kicad_sch		Rev: A	
Size: A4	KiCad E.D.A. 8.0.2		Id: 2/5

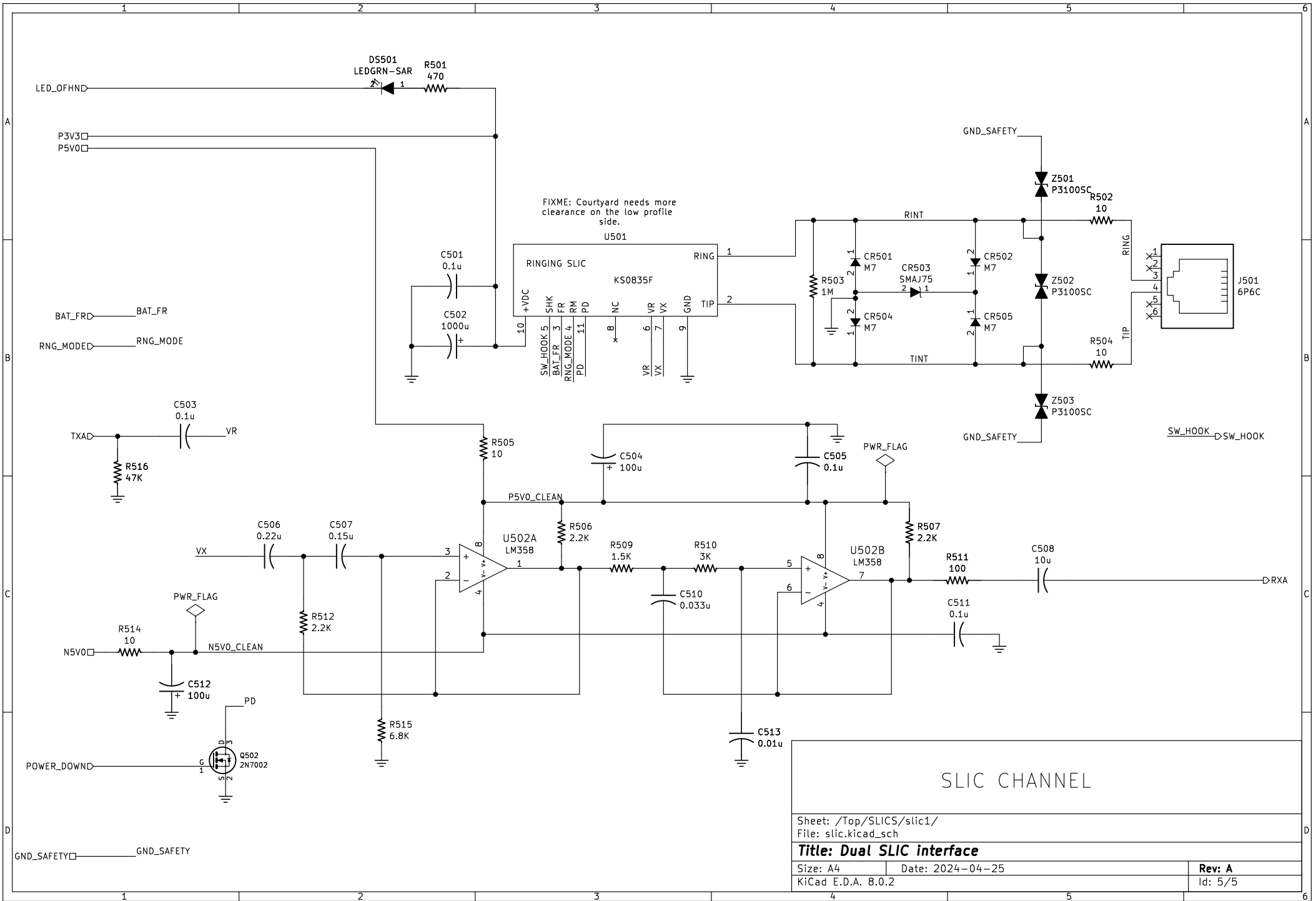


FIXME: Courtyard needs more clearance on the low profile side.

SLIC CHANNEL	
Sheet: /Top/SLICS/slic/	
File: slic.kicad_sch	
Title: Dual SLIC interface	
Size: A4	Date: 2024-04-25
KiCad E.D.A. 8.0.2	Rev: A
	Id: 3/5



Sheet: /Top/SLICS/	
File: slics.kicad_sch	
Title: Dual SLIC interface	
Size: A4	Date: 2024-04-25
KiCad E.D.A. 8.0.2	Rev: A
	Id: 4/5



SLIC CHANNEL

Sheet: /Top/SLICS/slic1/
 File: slic.kicad_sch

Title: Dual SLIC interface

Size: A4 Date: 2024-04-25

KiCad E.D.A. 8.0.2

Rev: A

Id: 5/5