

1

2

3

4

5

6

A

A

B

B

C

C

D

D

1

2

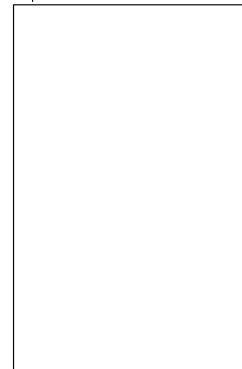
3

4

5

6

Top



File: top.kicad_sch

E & M TRUNK CARD

Sheet: /
File: e-and-m-interface.kicad_sch

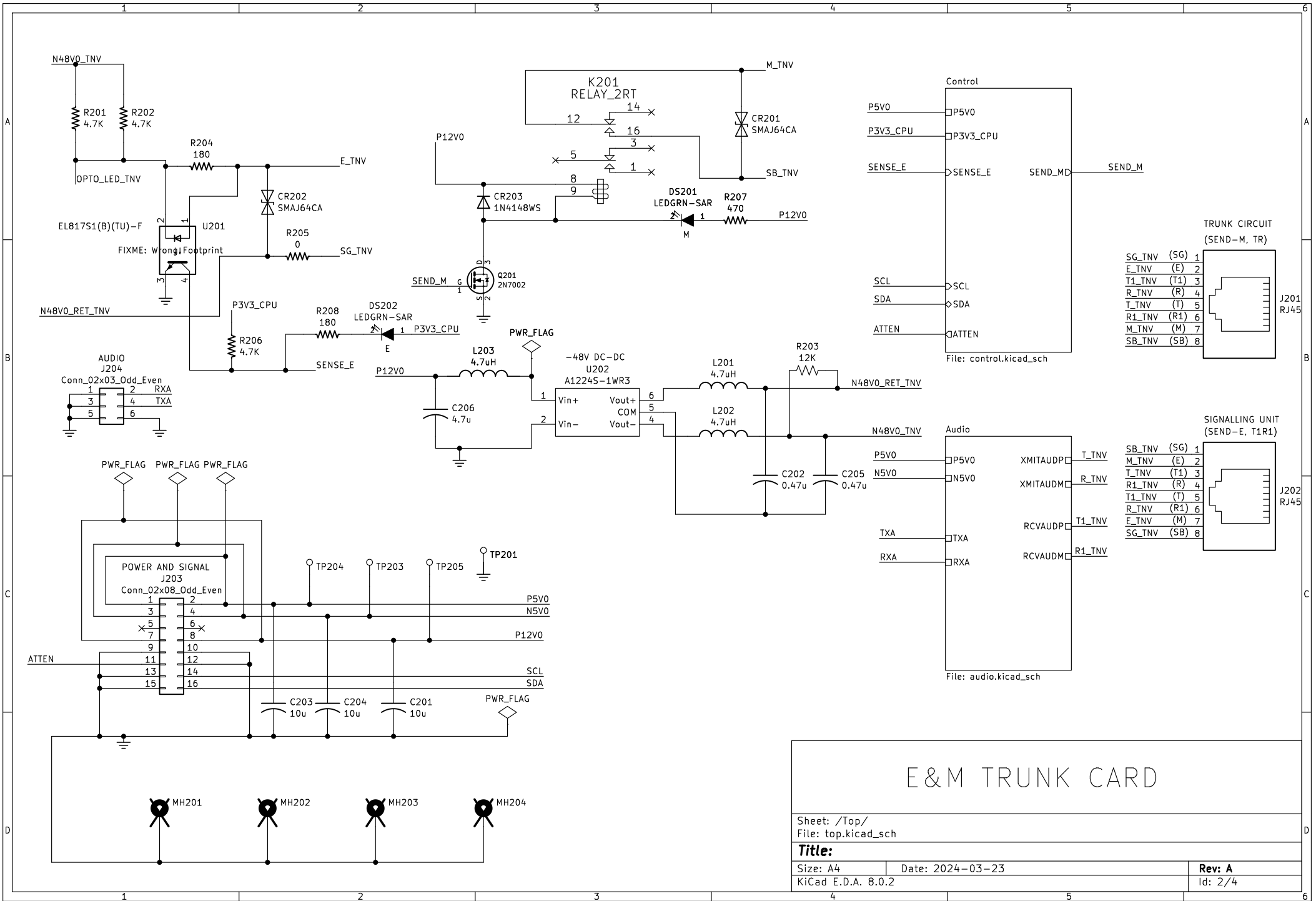
Title:

Size: A4 Date: 2024-01-21

Rev: X1

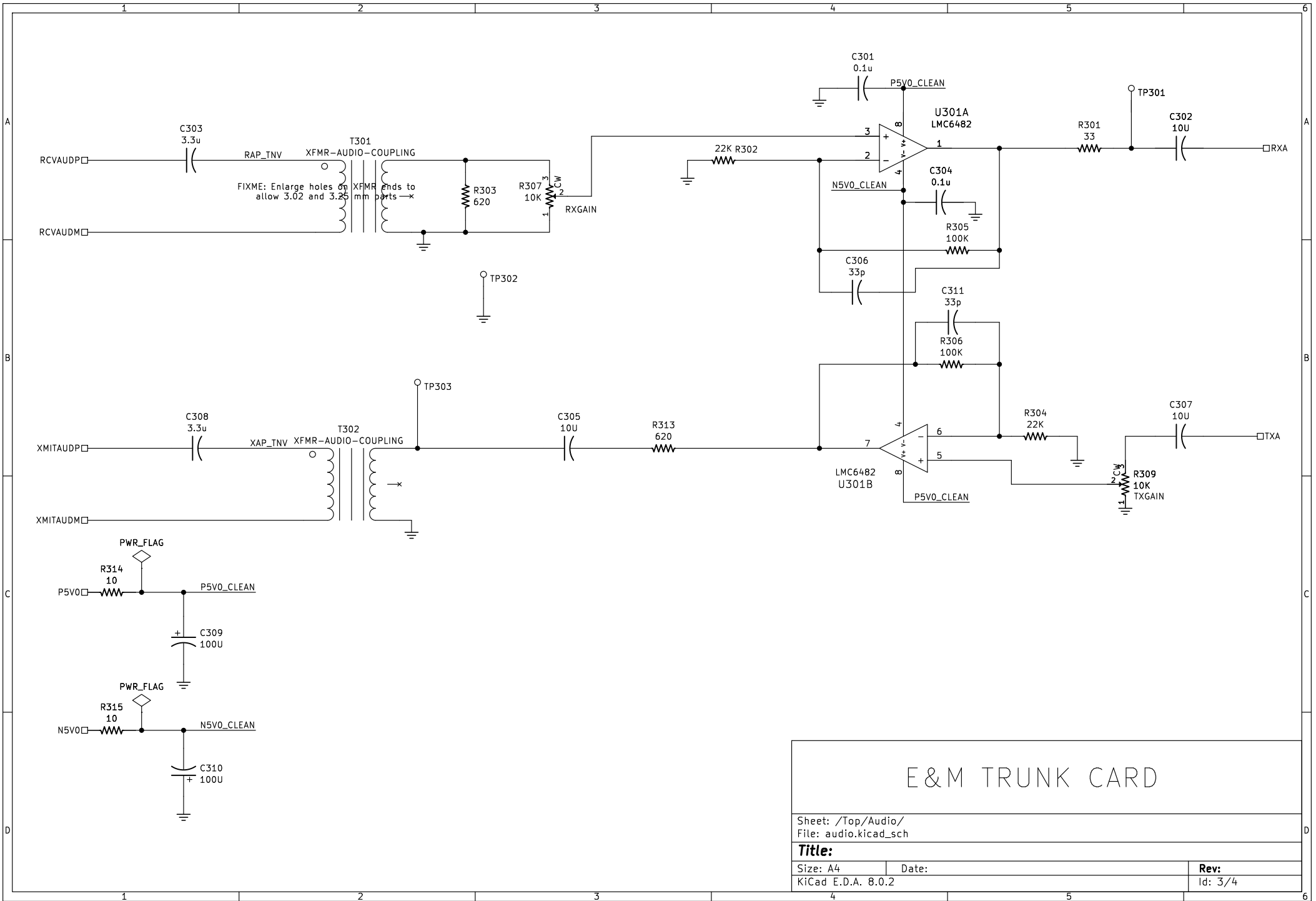
KiCad E.D.A. 8.0.2

Id: 1/4



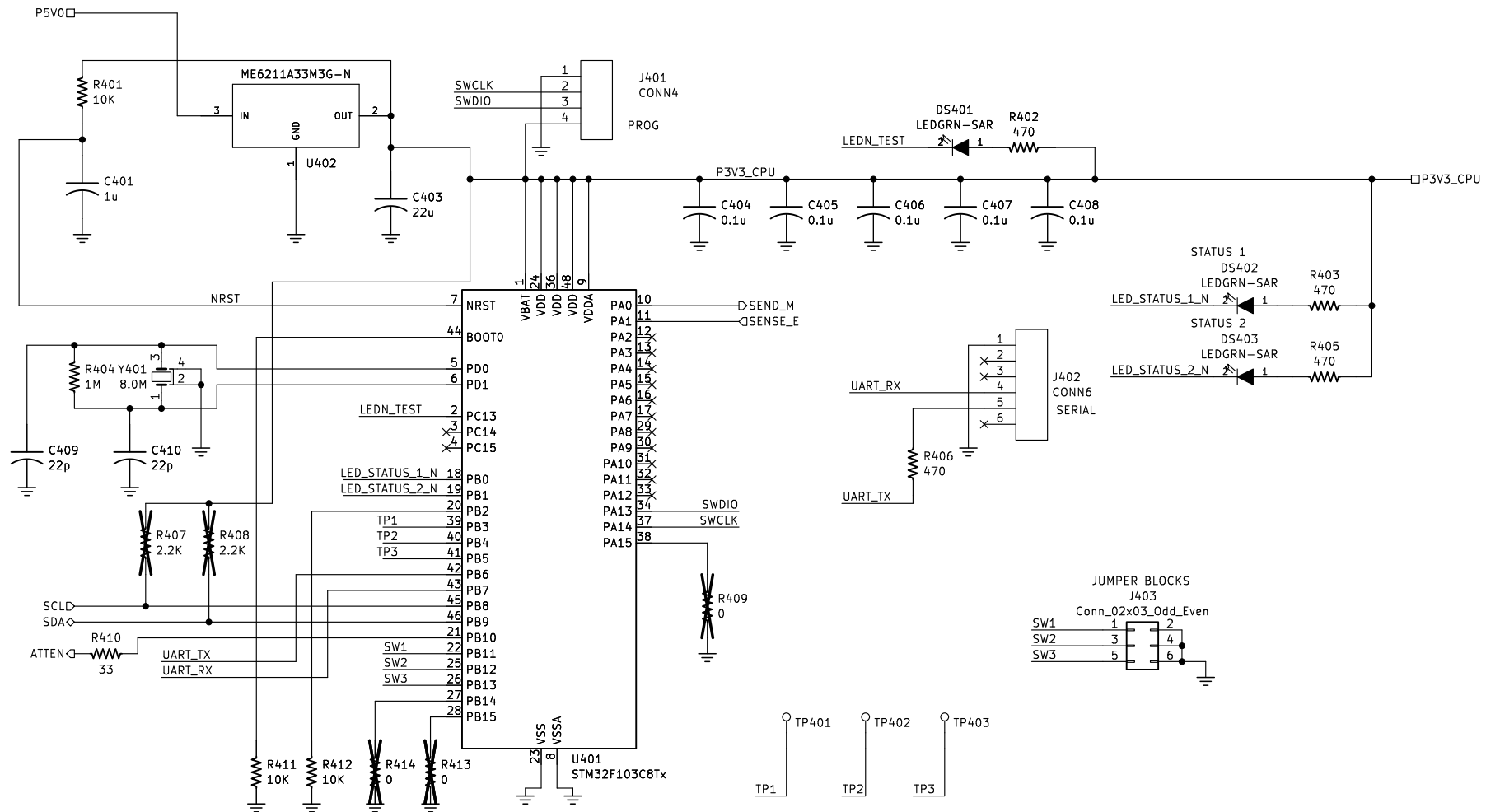
E&M TRUNK CARD

Sheet: /Top/		Date: 2024-03-23	
File: top.kicad_sch		Rev: A	
Size: A4	KiCad E.D.A. 8.0.2		Id: 2/4



E & M TRUNK CARD

Sheet: /Top/Audio/		File: audio.kicad_sch	
Title:			
Size: A4	Date:	Rev:	
KiCad E.D.A. 8.0.2		Id: 3/4	



E & M TRUNK CARD

Sheet: /Top/Control/		File: control.kicad_sch	
Title:			
Size: A4	Date:	Rev:	
KiCad E.D.A. 8.0.2		Id: 4/4	