
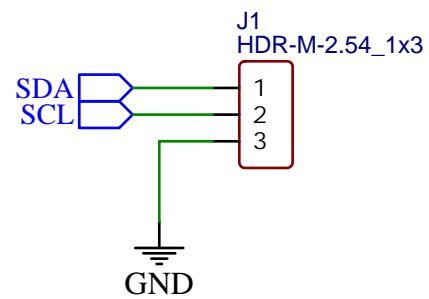
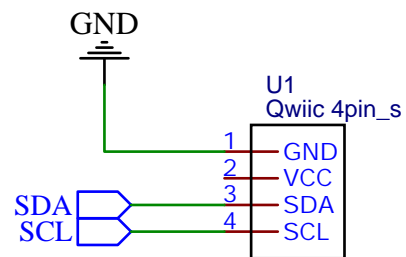
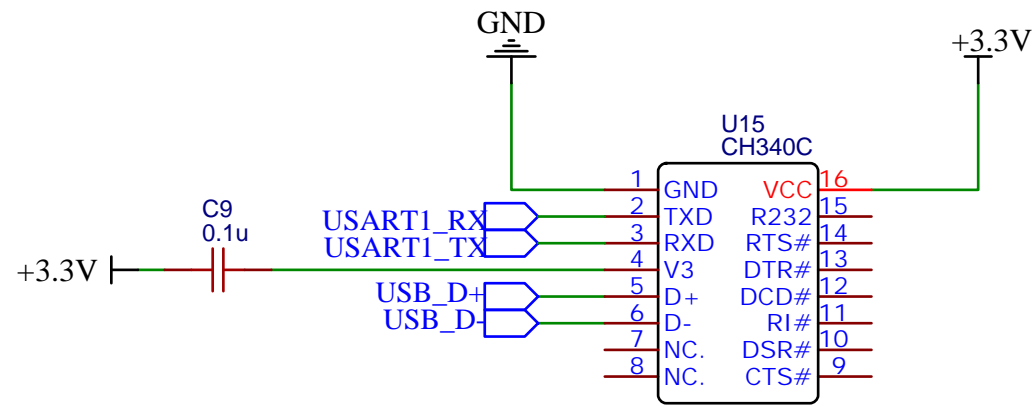
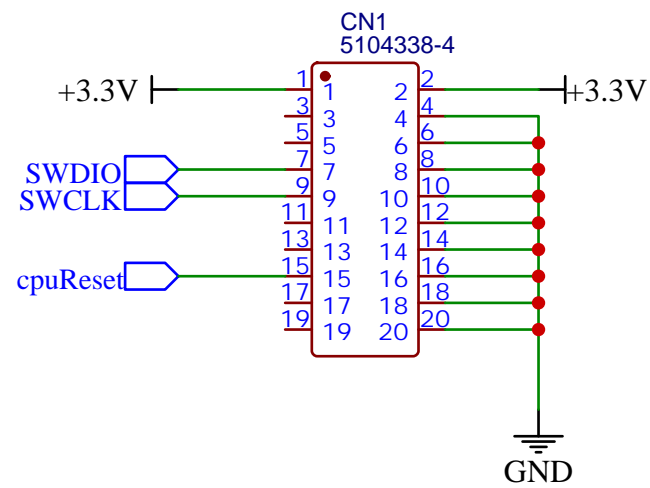
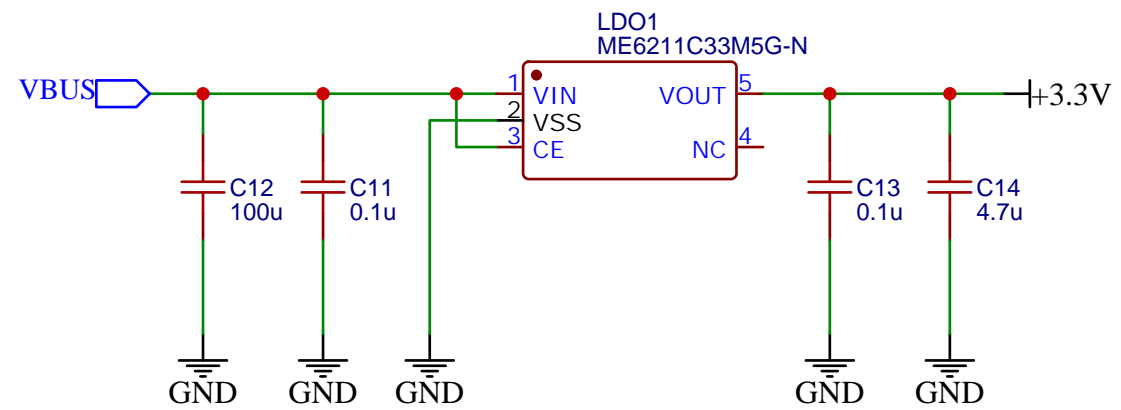
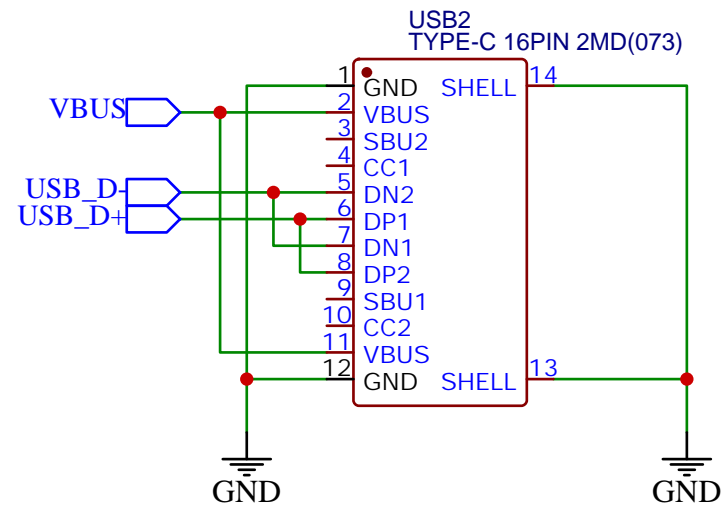


TITLE: Sheet_1		REV: 1.0
	Company: Your Company	Sheet: 1/1
	Date: 2024-05-09 Drawn By: kbittle	

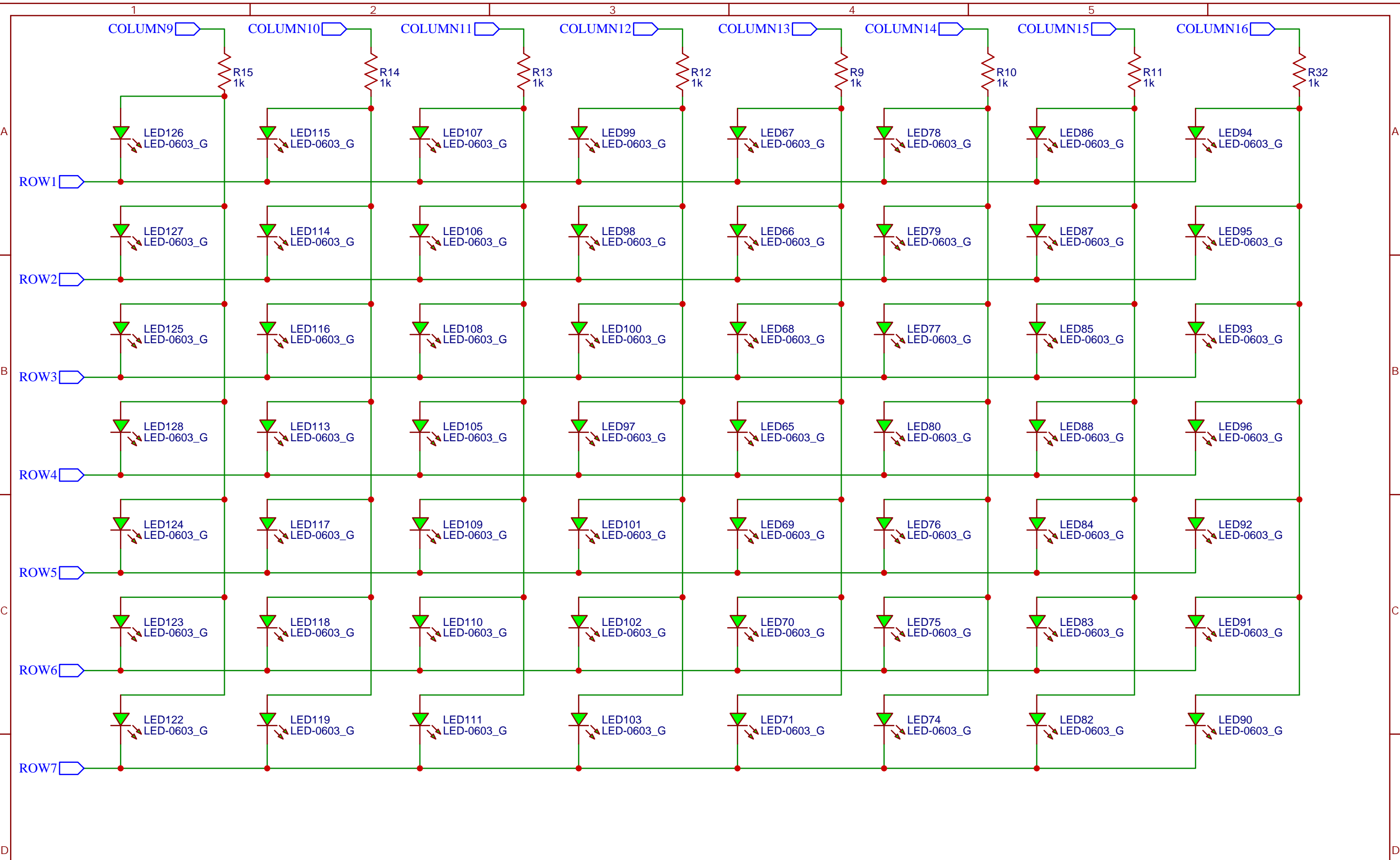



TITLE: Sheet_1		REV: 1.0
	Company: Your Company	Sheet: 1/1
	Date: 2024-05-16	Drawn By: kbittle

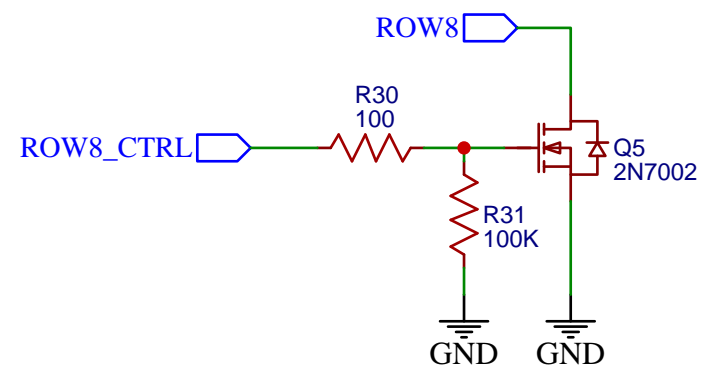
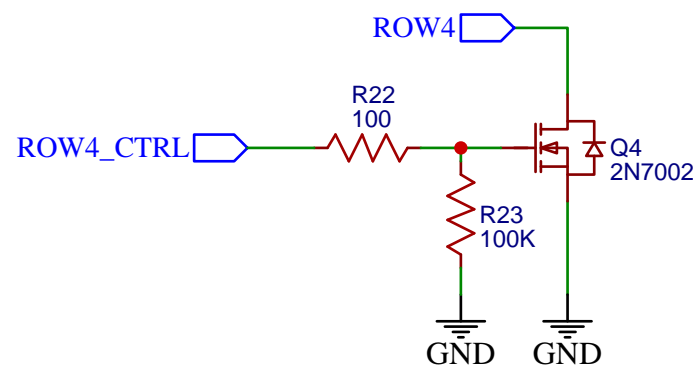
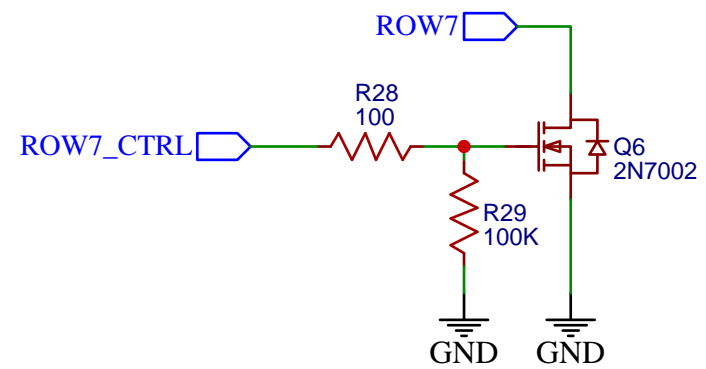
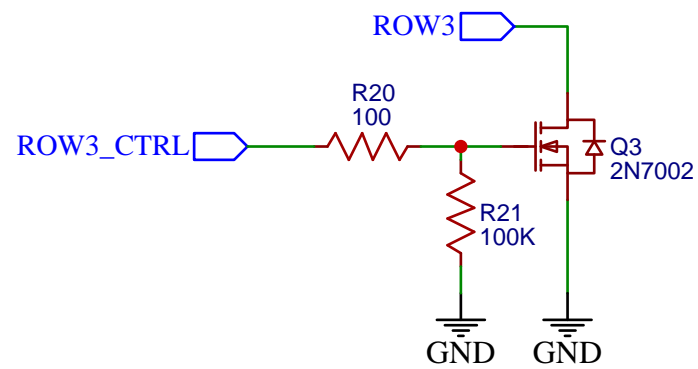
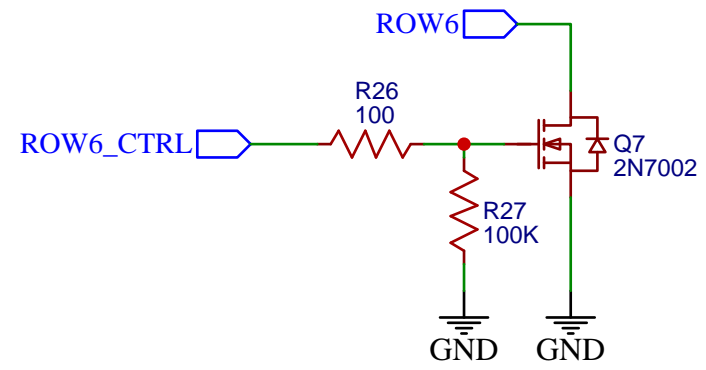
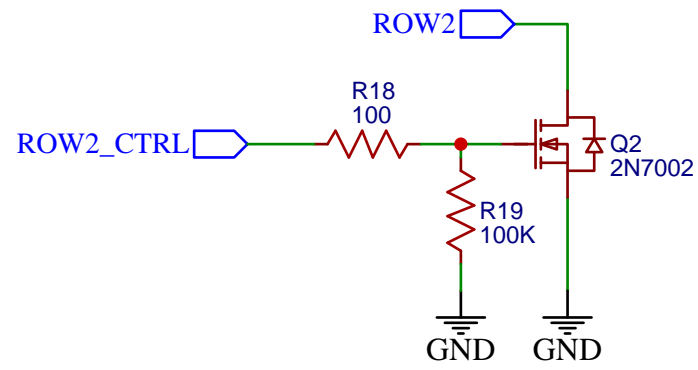
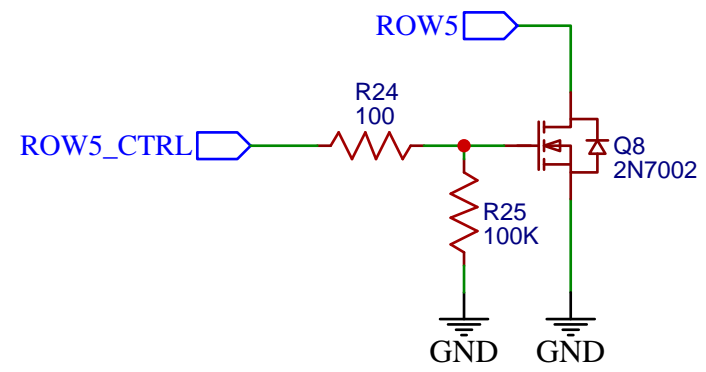
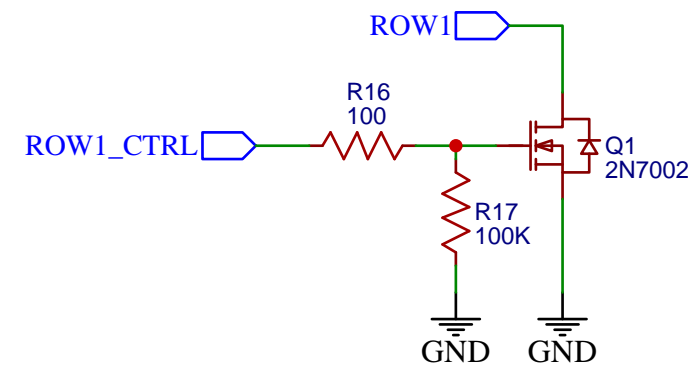



TITLE: Sheet_1		REV: 1.0
Company: Your Company		Sheet: 1/1
Date: 2024-05-16		Drawn By: kbittle





TITLE: Sheet_1		REV: 1.0
	Company: Your Company	Sheet: 1/1
	Date: 2024-05-16 Drawn By: kbittle	



TITLE: Sheet_1		REV: 1.0
	Company: Your Company	Sheet: 1/1
	Date: 2024-05-16 Drawn By: kbittle	