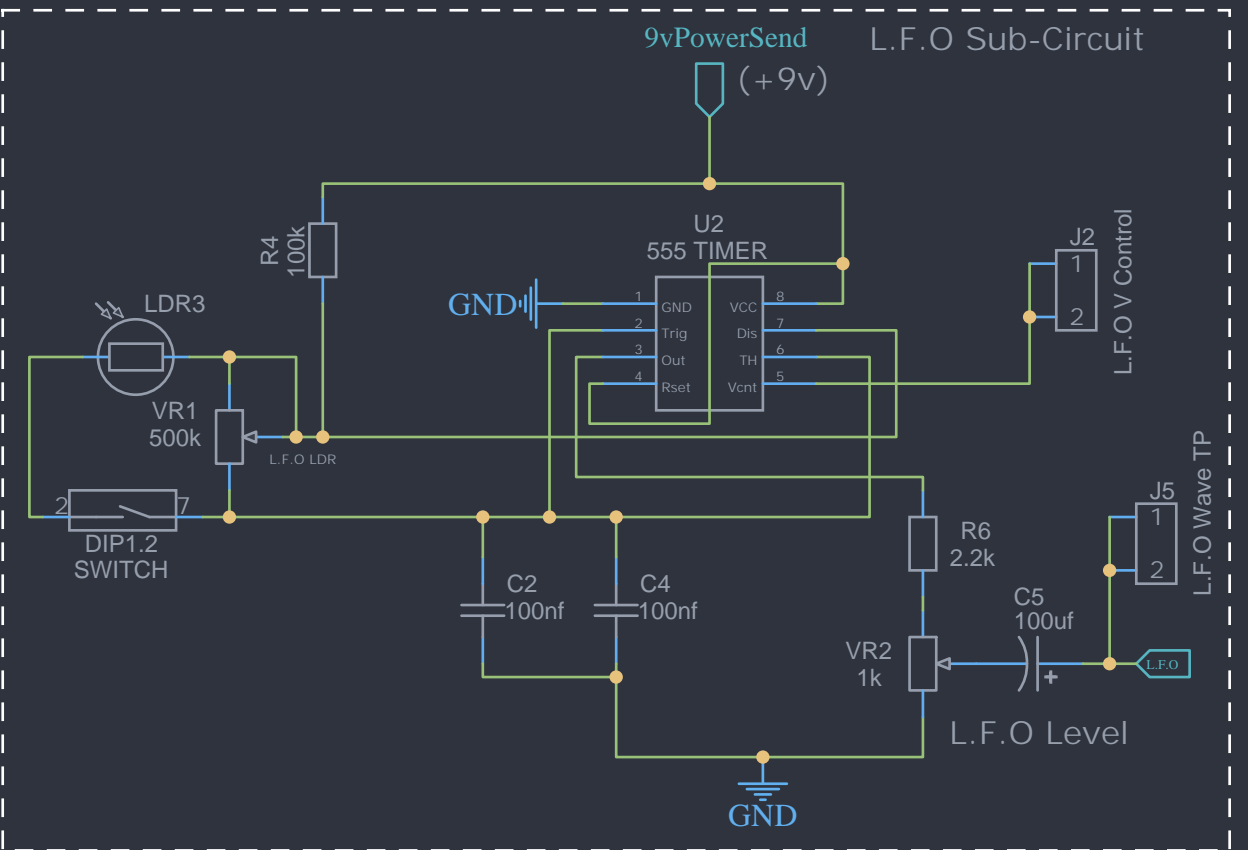


- * Dip Switches
1. Main Power Switch
 2. LFO-Light
 3. Pulse Shaper-Light
 4. Pitch-Light



<https://www.digikey.ca/en/products/detail/keystone-electronics/594/96741>

- LDR Values 5506 2-5k
- LDR Values 5516 5-10k
- LDR Values 5528 10-20k
- LDR Values 5537 20-50k
- LDR Values 5539 50-100k
- LDR Values 5549 100-200k

----Parts ideas----
 MINI TOGGLE SWITCH 1M SERIES SPDT ON-ON
 PB13 Square 12*12mm Momentary 2Pin 500k knobs

TITLE: Atari Punk-Console Business Card		REV: 1.3.2
Company: CircularTonic		Sheet: 1/1
Date: 2024-03-10		Drawn By: Neil Mundt

