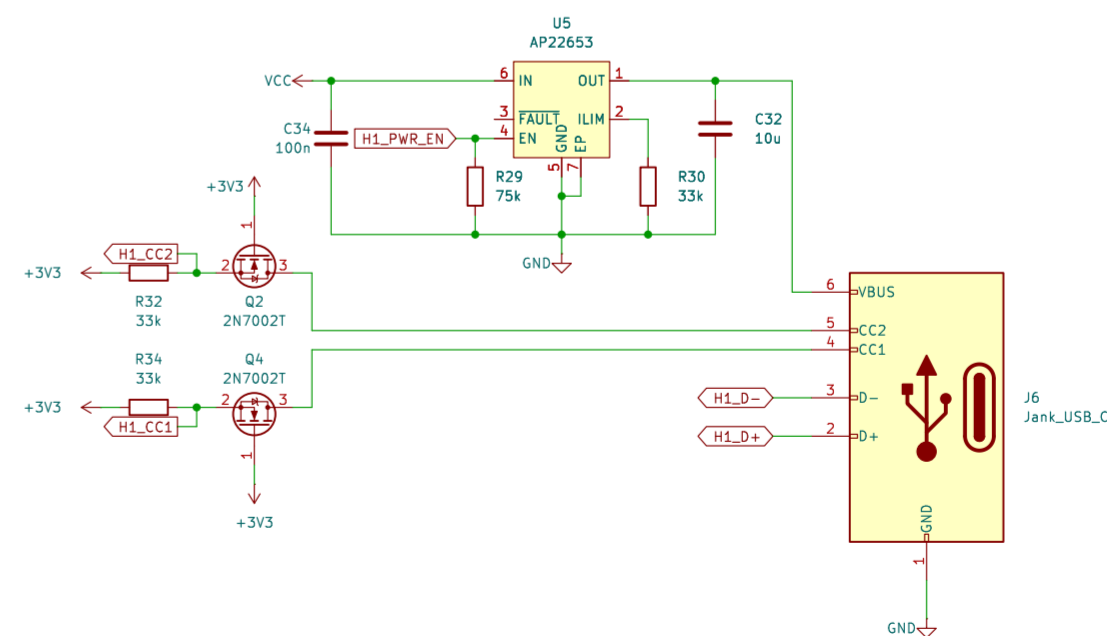
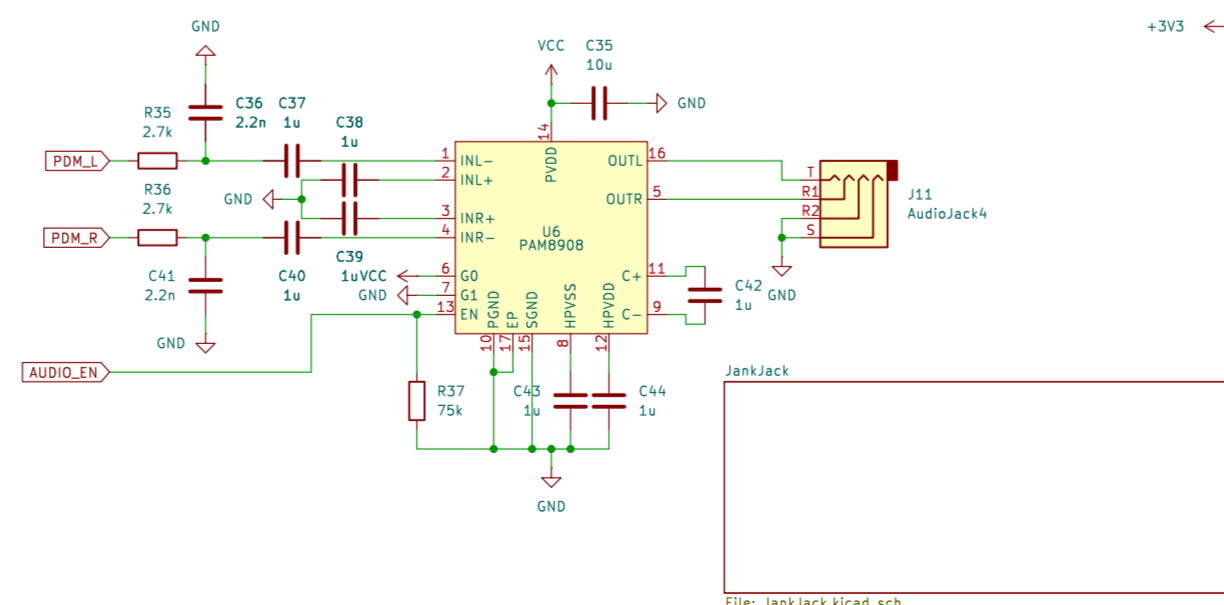
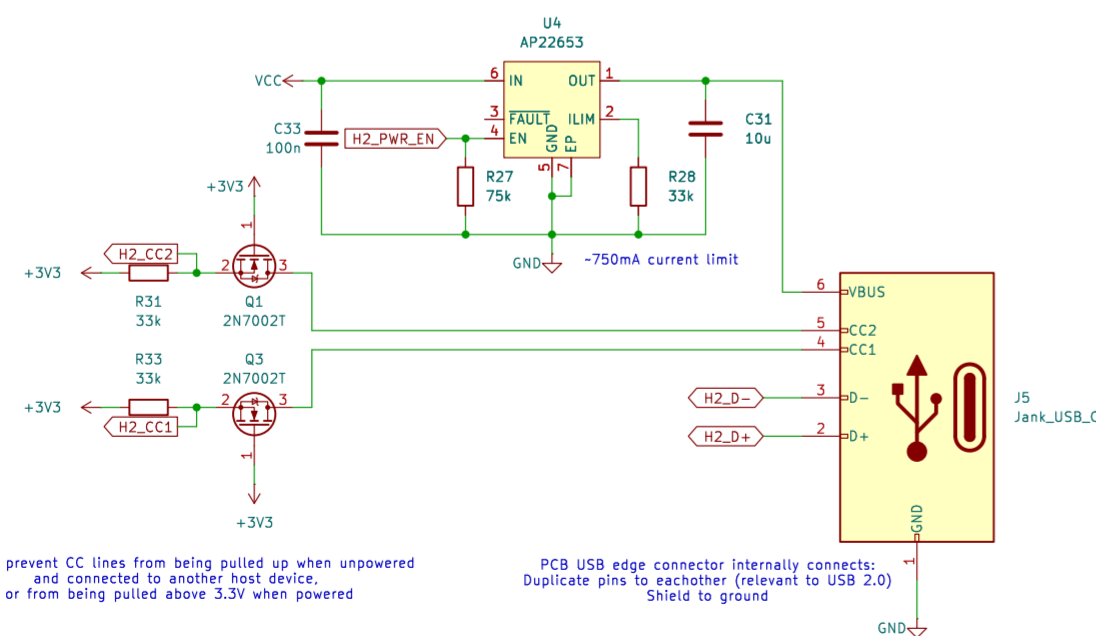
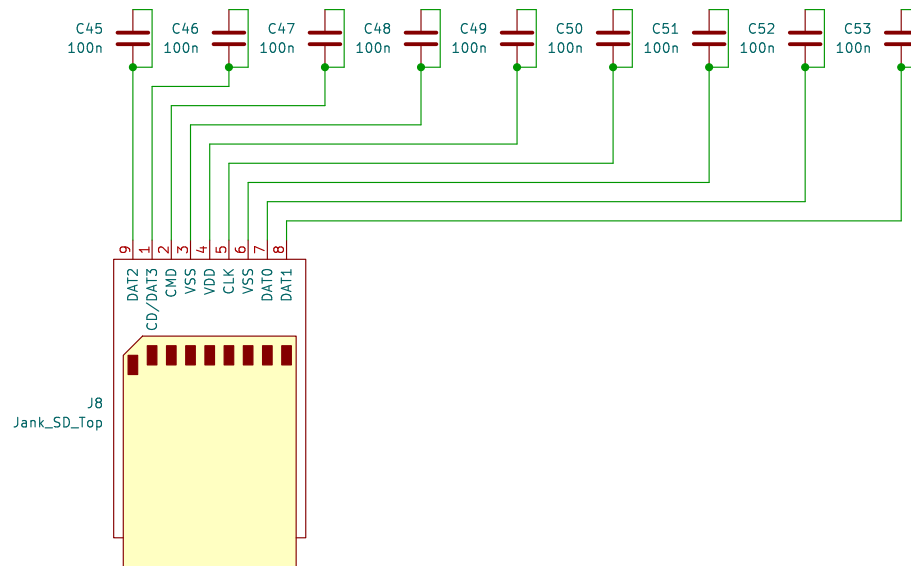


QSPI Pin names?  
[https://docs.espressif.com/projects/esp-idf/en/v4.4/esp32s3/api-reference/peripherals/spi\\_master.html](https://docs.espressif.com/projects/esp-idf/en/v4.4/esp32s3/api-reference/peripherals/spi_master.html)  
[https://www.espressif.com/sites/default/files/documentation/esp32-s3\\_datasheet\\_en.pdf](https://www.espressif.com/sites/default/files/documentation/esp32-s3_datasheet_en.pdf)  
 CS0 = CS  
 CLK = CLK  
 D = MISO = DAT0  
 Q = MISO = DAT1  
 WP = DAT2  
 HD = DAT3



Capacitors are electrically shorted as they are just used as elevated contact pads for the SD card!



Sheet: /JanKSD/  
File: JanKSD.kicad\_sch

**Title:**

Size: A4  
KiCad E.D.A. 8.0.2

Date:

Rev:  
Id: 2/3



Sheet: /JankJack/  
File: JankJack.kicad\_sch

**Title:**

Size: A4  
KiCad E.D.A. 8.0.2

Date:

**Rev:**  
Id: 3/3