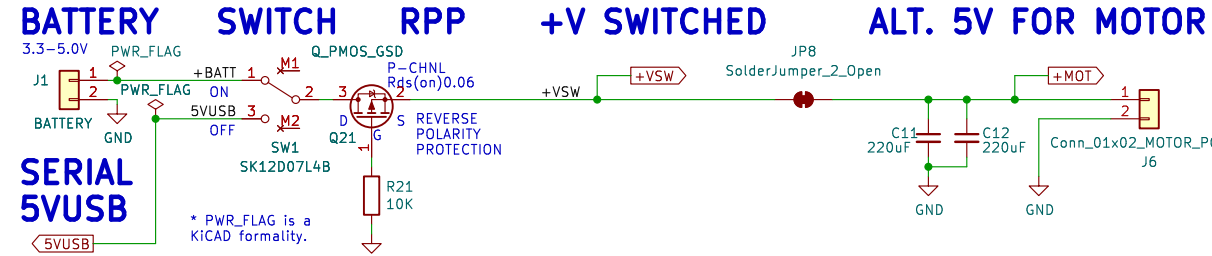
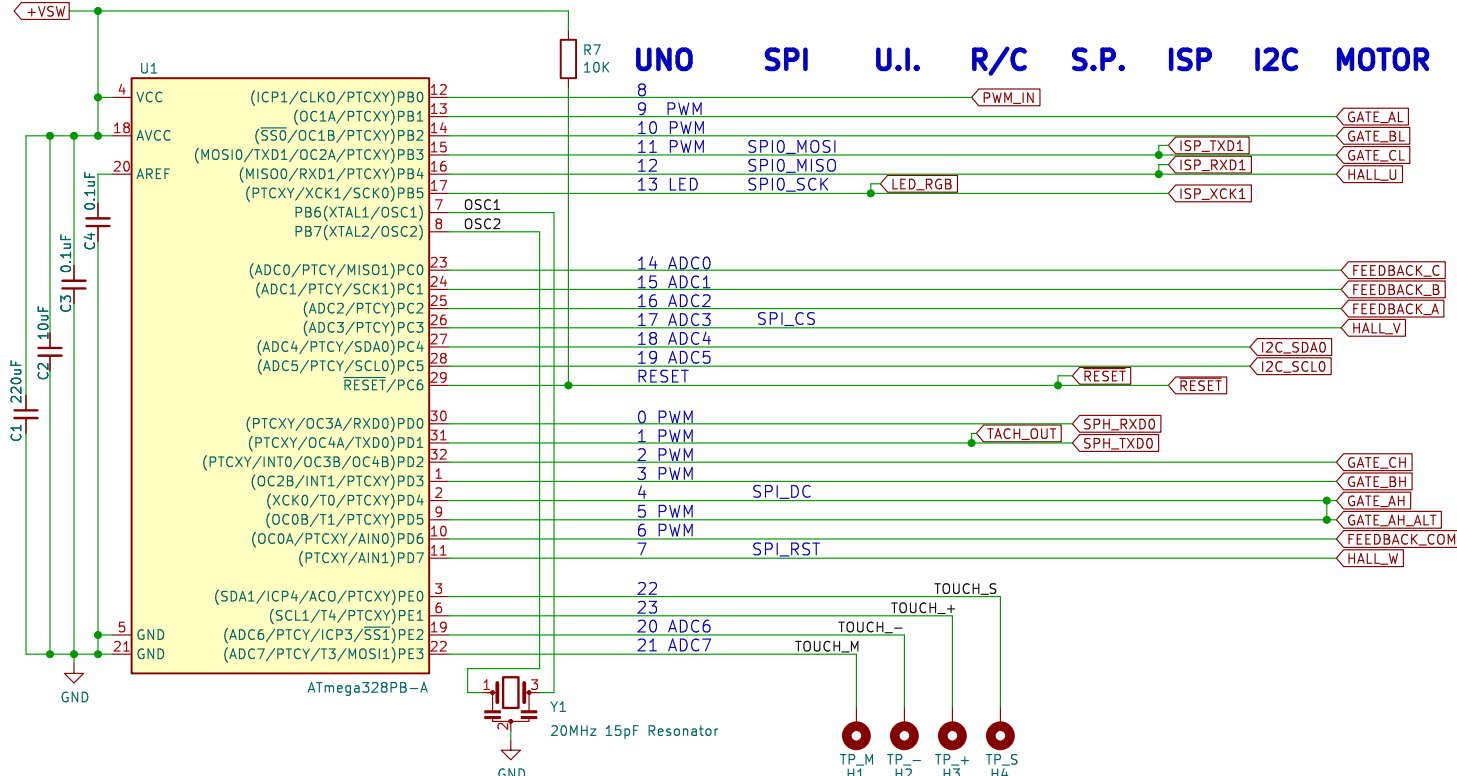


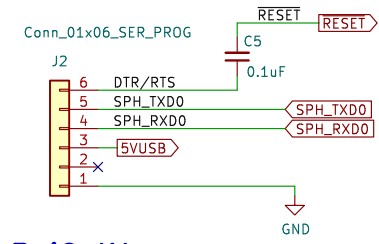
# POWER



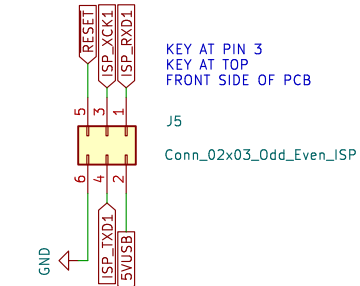
# MICROCONTROLLER



## SERIAL PROGRAM



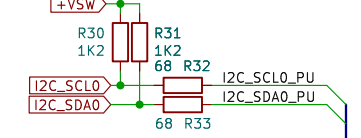
## AVR ISP PROGRAM



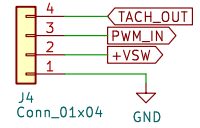
## TOUCH BUTTONS



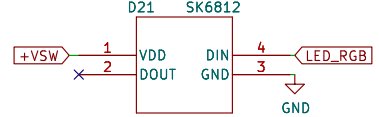
## I2C BUS INTERFACE



## R/C IN

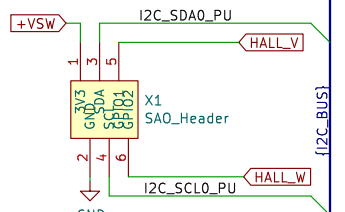


## STATUS LED

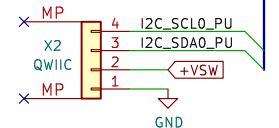


OPTIONAL I2C STUFF:  
SAO OLED or Generic 0.96" (128x64) or 1.5" (128x128)  
I2C 4-pins, often ADDRESS: 0x3C (60 decimal)  
Alternate is 0x3D, not 0x7A or 0x78 (wrong 8-bit!)  
OLED  
ANDIXOR IO Exp. MCP23017 0x20 (32)  
ANDIXOR EEPROM AT24C32r 0x50 (80)  
NFC CLICK PN7120 0x50-55  
All 7-bit addresses should be greater than 0x07 and less than 0x78 (120).

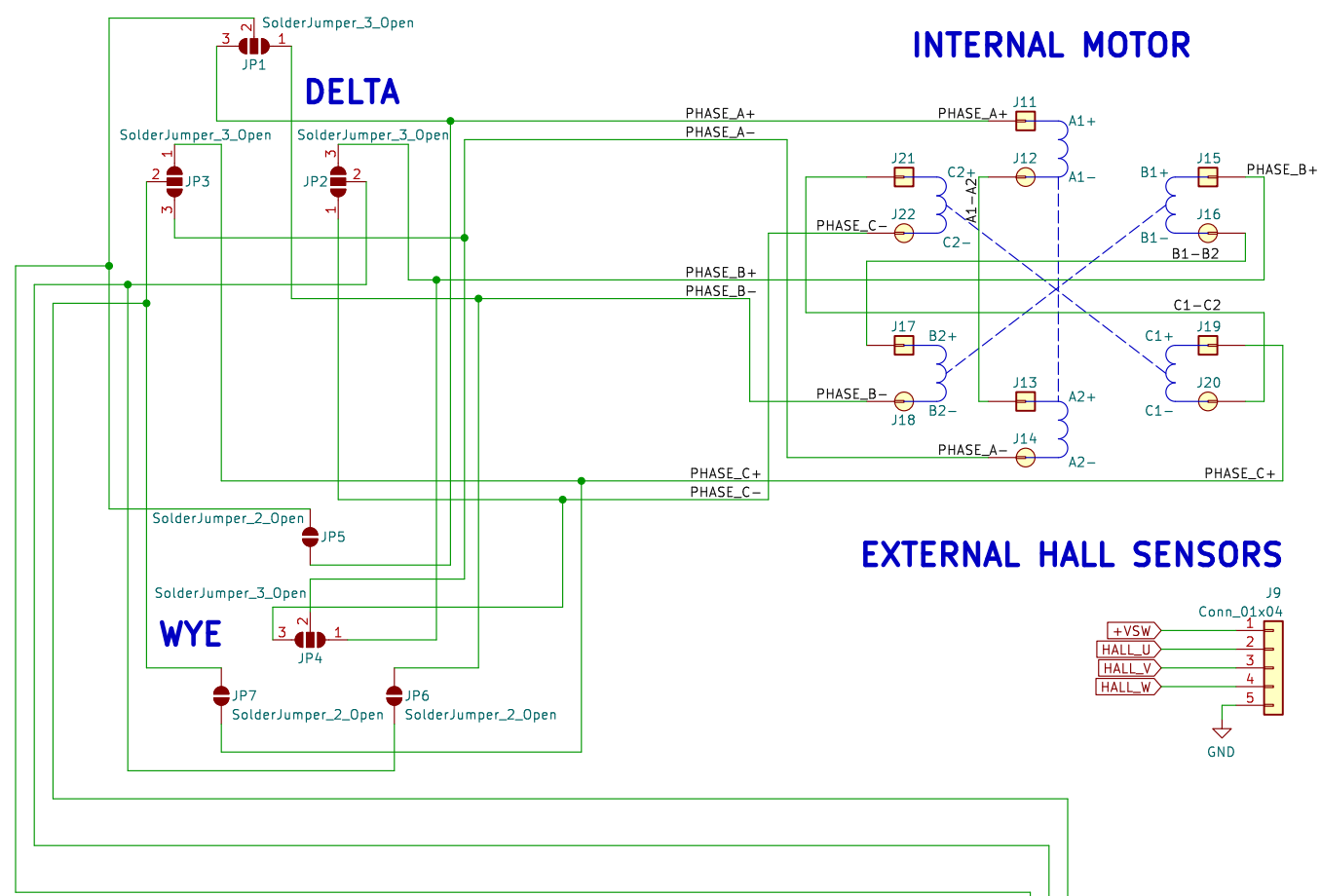
## SAO: SIMPLE ADD-ONS



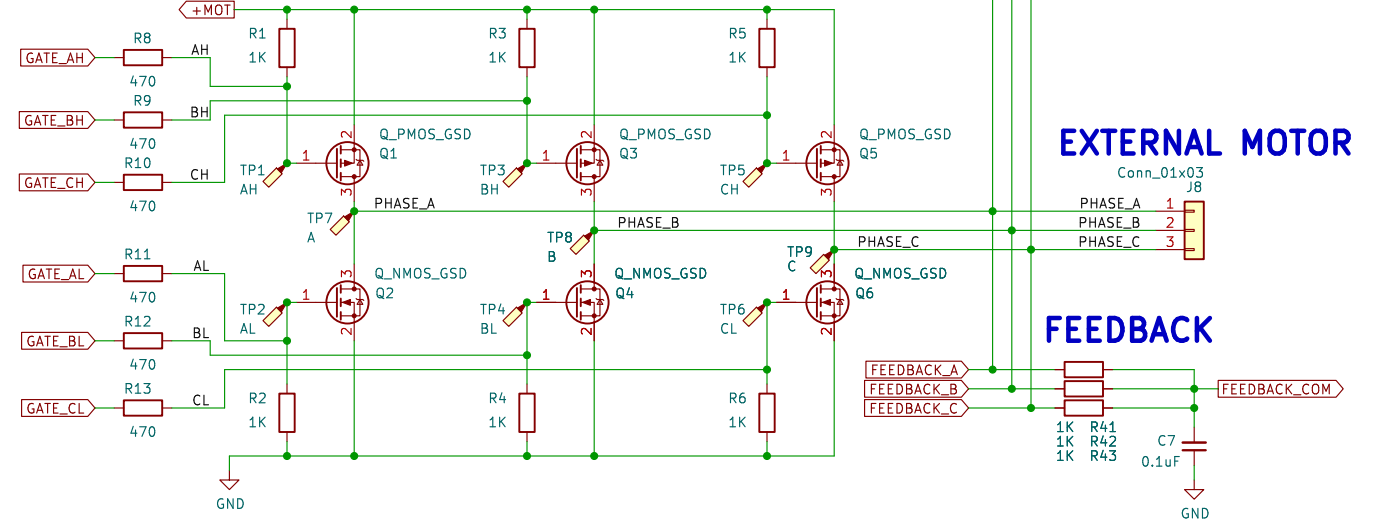
## QWIIC I2C



# WINDING SELECT



# MOTOR DRIVER



All non-polarized capacitors are X7R or X5R ceramic unless otherwise noted.

Concept and design by Andy Geppert © www.MachineIdeas.com  
Sheet: /  
File: BLDC\_BIZ\_CARD.kicad\_sch  
**Title: BLDC\_BIZ\_CARD**  
Size: B Date: 2024-06-20 Rev: 0.1  
KiCad E.D.A. 8.0.2-1 Id: 1/1