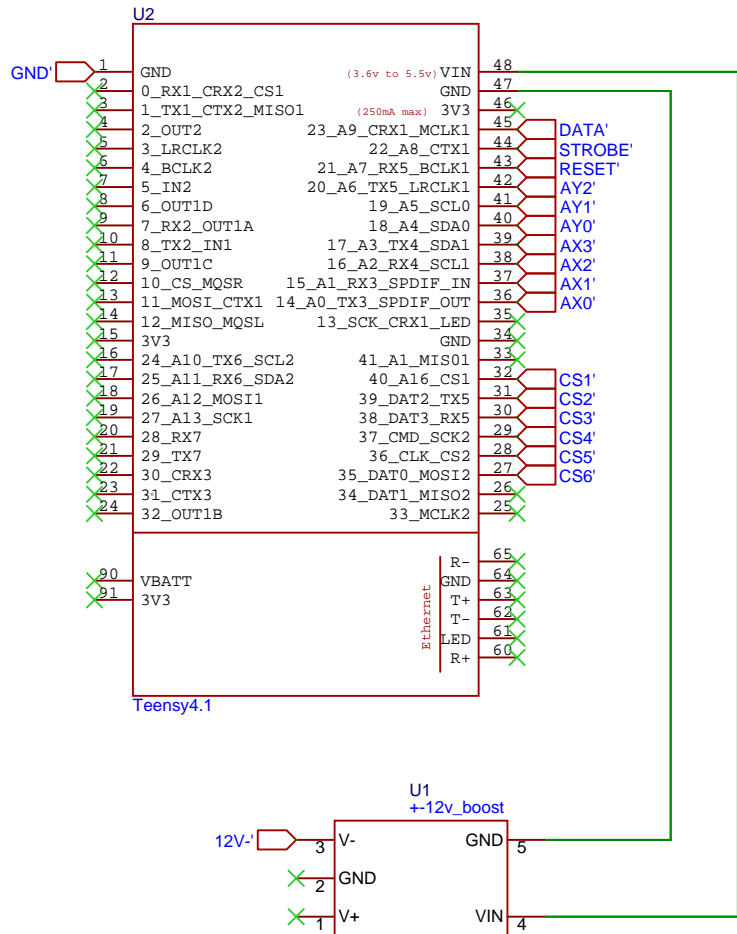
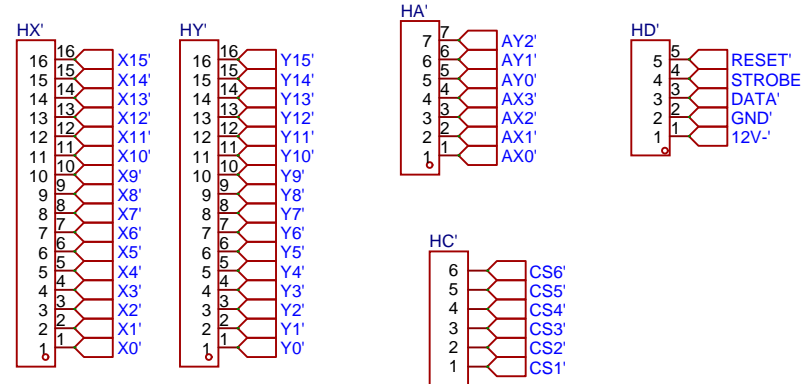


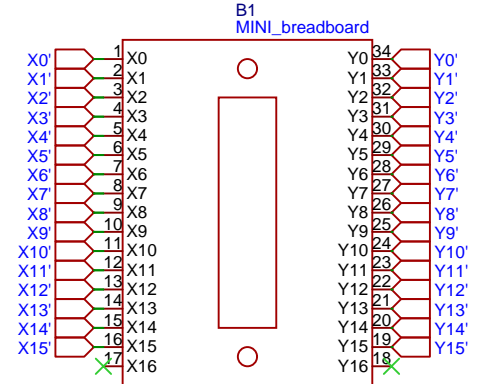
TEENSY 4.1 & 12v Boost



HEADER PINS(MALE)



BREADBOARD



TITLE: PCB_PCB_breadboard_pro2_2024-08-01		REV: 1.0
Company: Your Company		Sheet: 1/1
Date: 2024-07-29	Drawn By: asbro & arjun	

