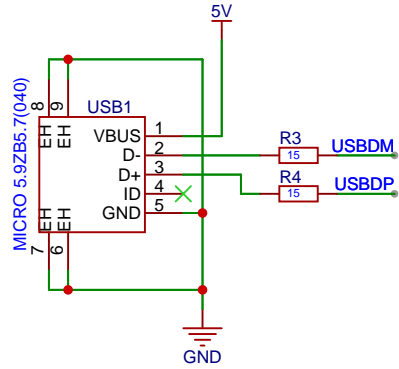
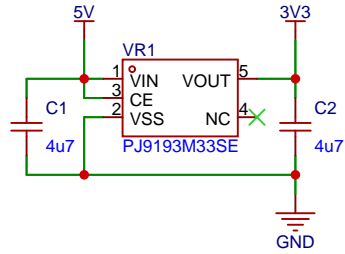


USB



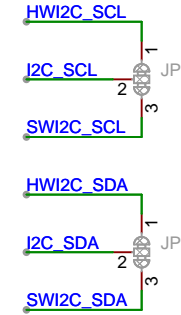
3V3



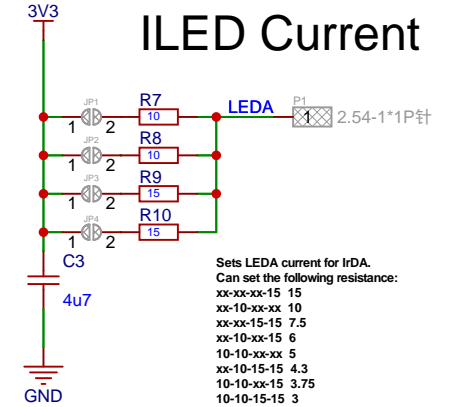
Debug and I2C peripherals share pins on the MCU. There is no remap for I2C.

This option allows reconfiguring of I2C I/O to use either hardware or software I2C.

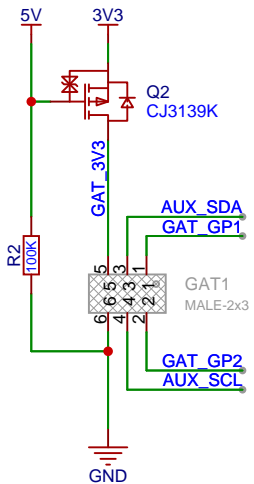
I2C Pin Select



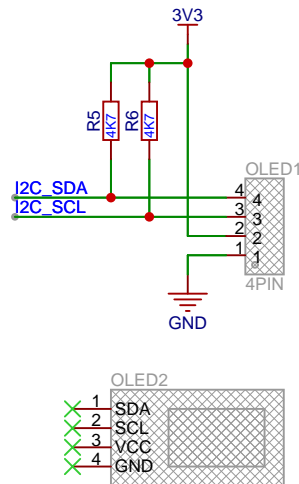
ILED Current



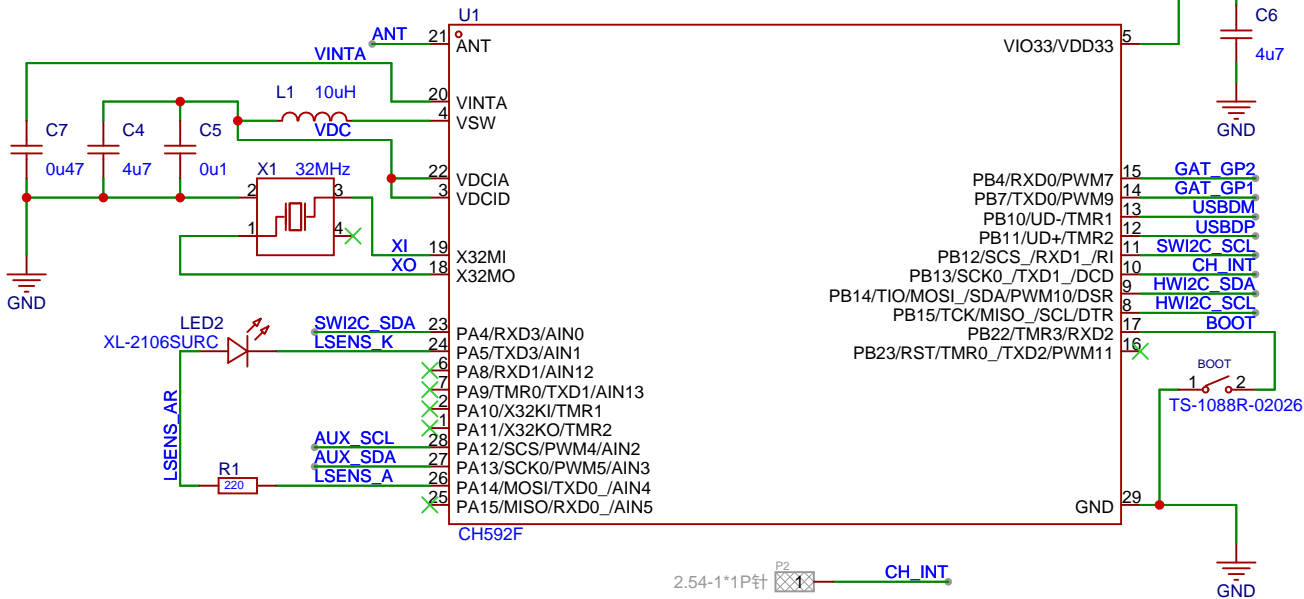
GAT



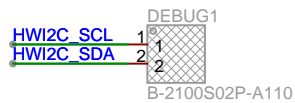
Board to Board



MCU



Debug



Schematic	GAT Top Board			Update Date	2024-10-23
Page	bottom_board_schematic			Create Date	2024-10-07
Drawn	true	true's GAT Nametag - SUPERCON 8 EDITION			
Reviewed					
VER		SIZE	PAGE	1	OF 1
REV3		A4	schematics, instructions, firmware updates https://basic.truecontrol.org		

