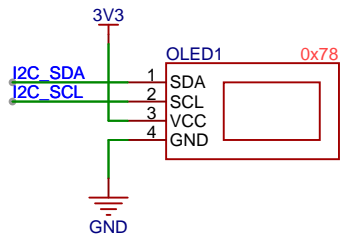
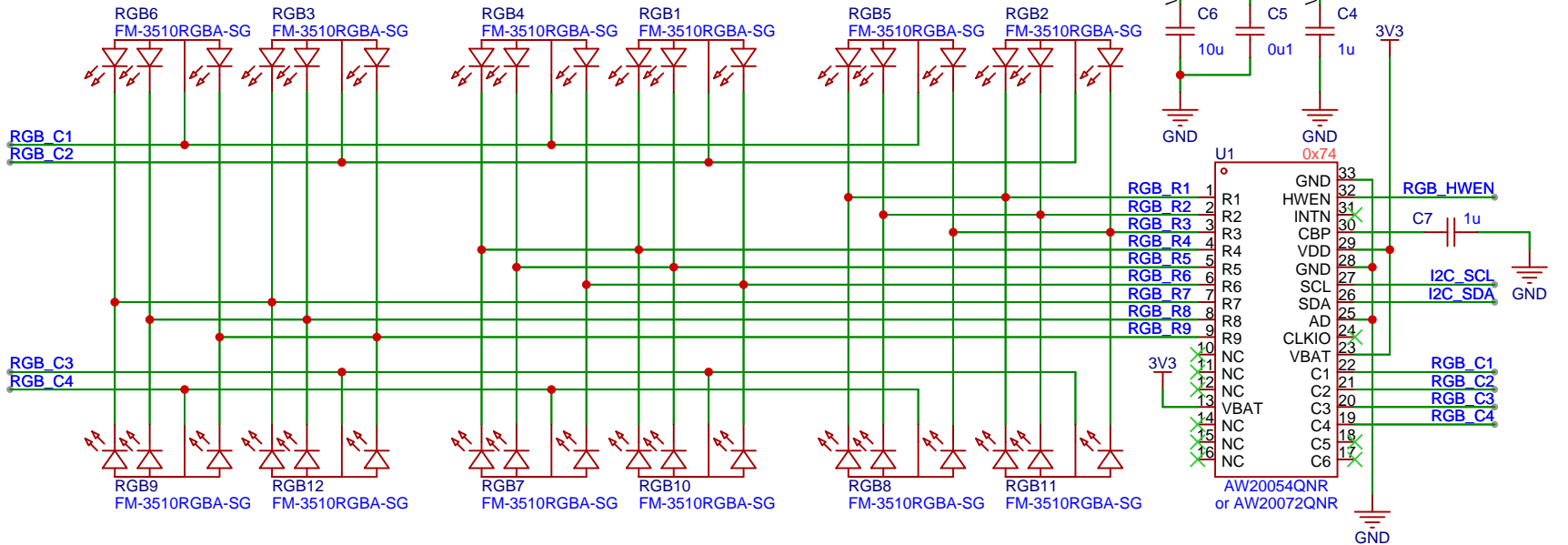


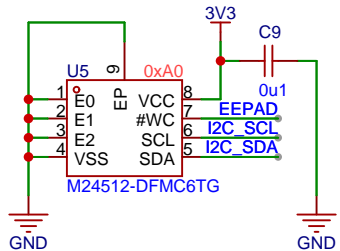
# OLED



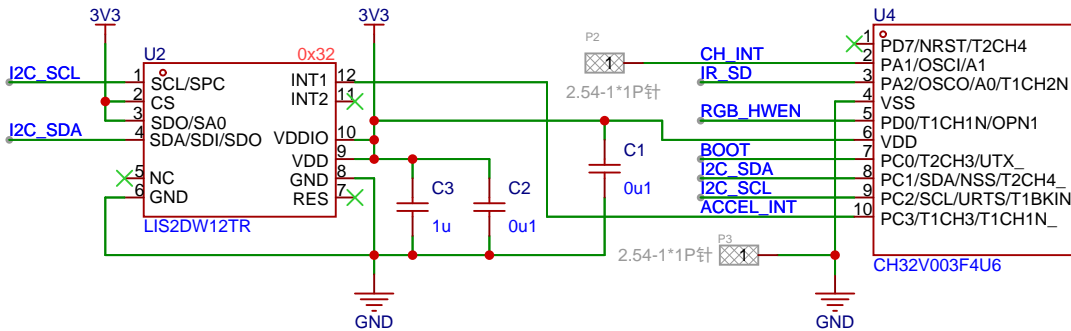
# RGB LEDs



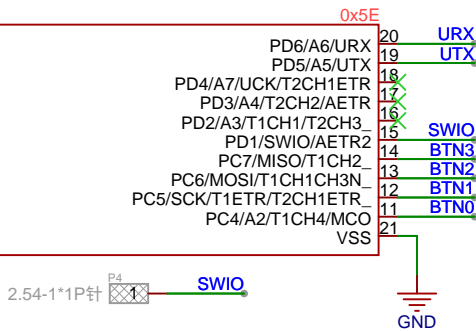
# EEPROM



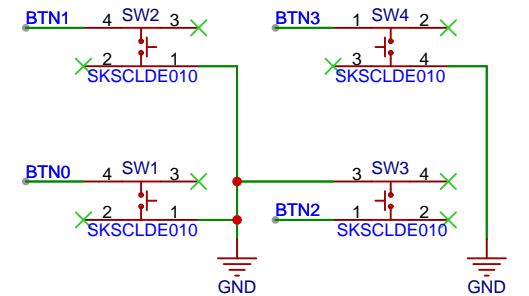
# Accelerometer



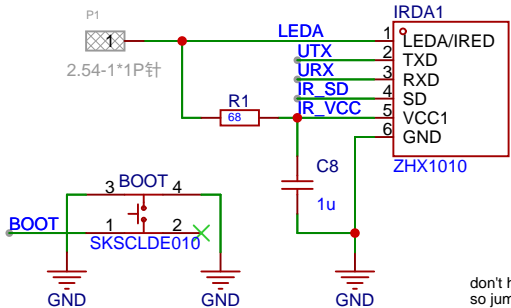
# Sub MCU



# User Input



# Side Stuff



Inferred Vf of IRED ~2.15V @ max mA  
 No graphs or specs provided, DS does not say Vf, but implies: at 3v3, max mA @ 2.7, so Vf ~2.2V unknown if max is 300mA or 500mA.  
 if 500mA:  
 guessing ~250mA @ 5  
 guessing ~200mA @ 6  
 guessing ~125mA @ 10

don't have time to prototype, so jumper resistors and figure out later

Schematic

GAT Bottom Board

Page

top\_board\_schematic

Drawn

true

Reviewed

true's GAT Nametag - SUPERCON 8 EDITION

Update Date 2024-10-12

Create Date 2024-10-07

Part Number tC-SC8-01

VER

SIZE

PAGE

1

OF

1

REV4

A4

schematics, instructions, firmware updates  
<https://basic.truecontrol.org>

