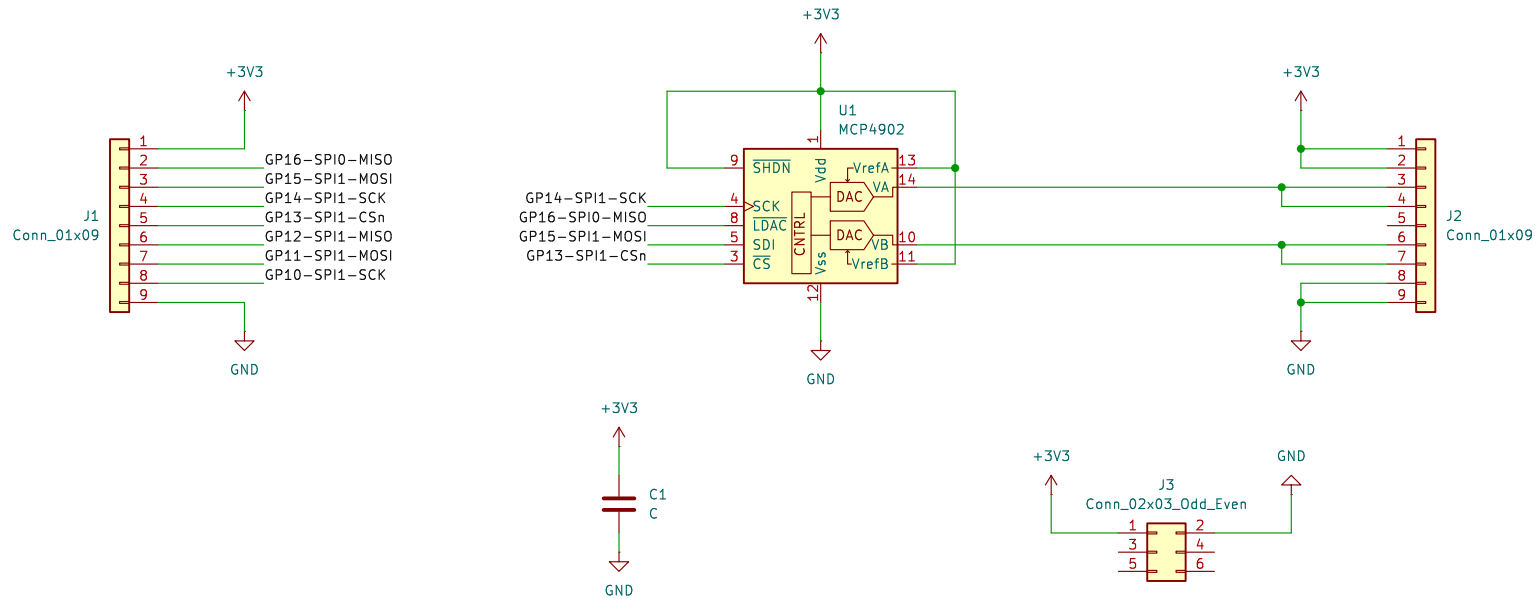


# Hackaday Supercon 8 Oscilloscope Art Badge Addon

Designed by: jacob@pontech.com

I can help you with  
PCB Design  
Embedded Design  
Software Development  
Firmware Development



ART1  
PONTECH-10mm-12mm

[pontech.com](http://pontech.com)

Sheet: /

File: OscilloscopArt.kicad\_sch

**Title: Hackaday Supercon 8 Oscilloscope Art Badge Addon**

Size: A4

Date: 2024-10-20

Rev: A

KiCad E.D.A. 8.0.6

Id: 1/1