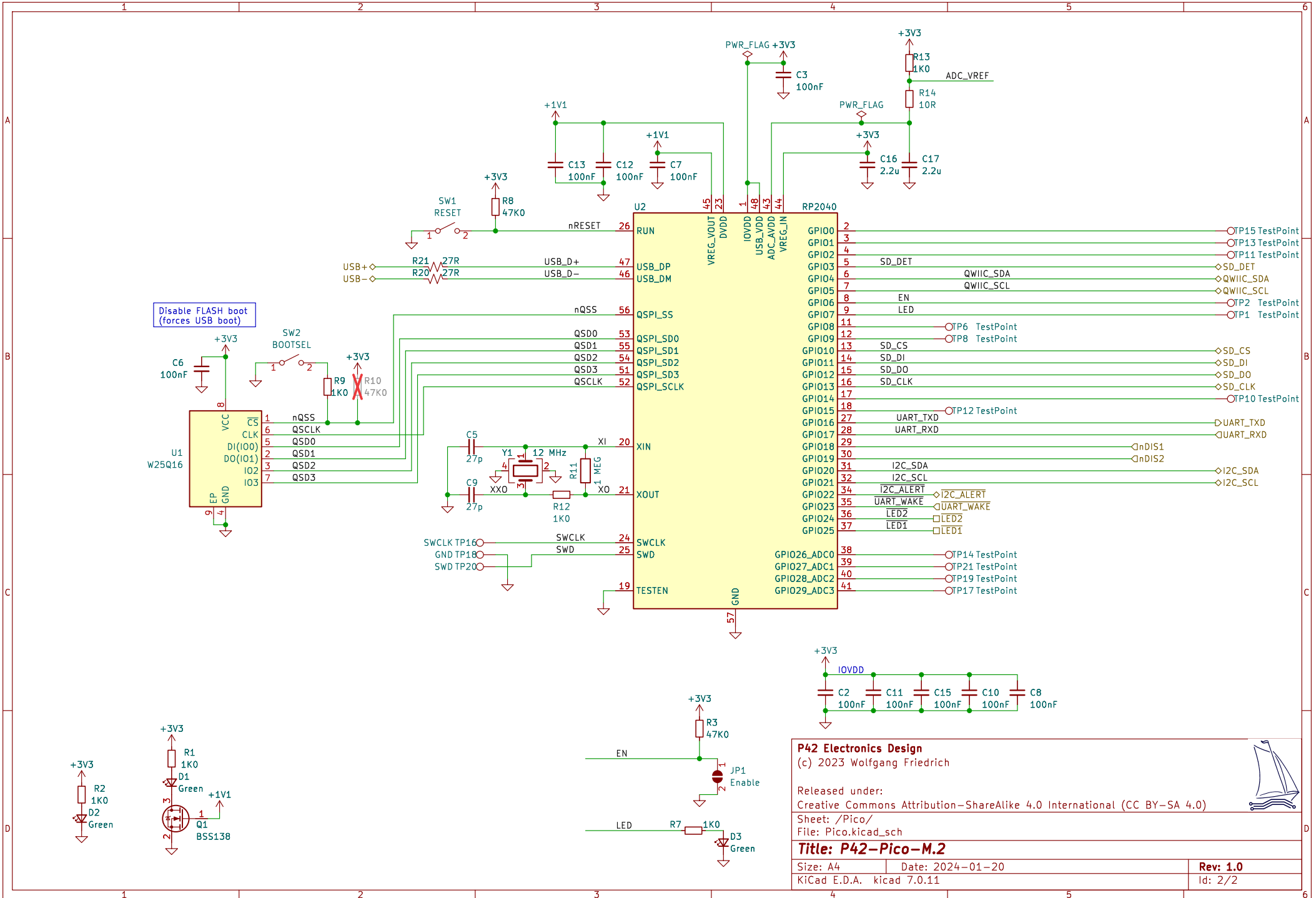


Pin	SD	SPI
1	DAT2	X
2	CD/DAT3	CS
3	CMD	DI
4	VDD	VDD
5	CLK	SCLK
6	VSS	VSS
7	DAT0	DO
8	DAT1	X



Disable FLASH boot  
(forces USB boot)

**P42 Electronics Design**

(c) 2023 Wolfgang Friedrich

Released under:  
Creative Commons Attribution-ShareAlike 4.0 International (CC BY-SA 4.0)

Sheet: /Pico/  
File: Pico.kicad\_sch

**Title: P42-Pico-M.2**

Size: A4 | Date: 2024-01-20  
KiCad E.D.A. kicad 7.0.11

Rev: 1.0  
Id: 2/2

