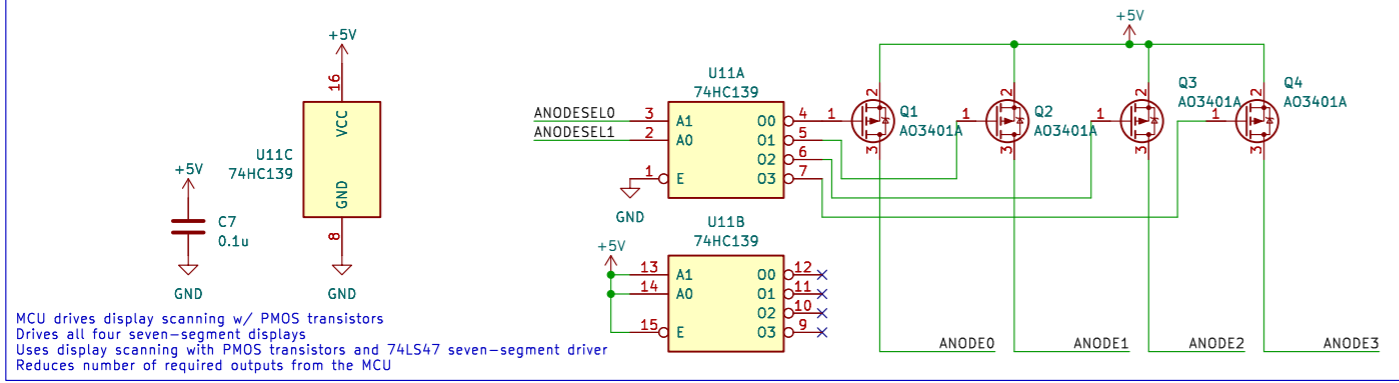
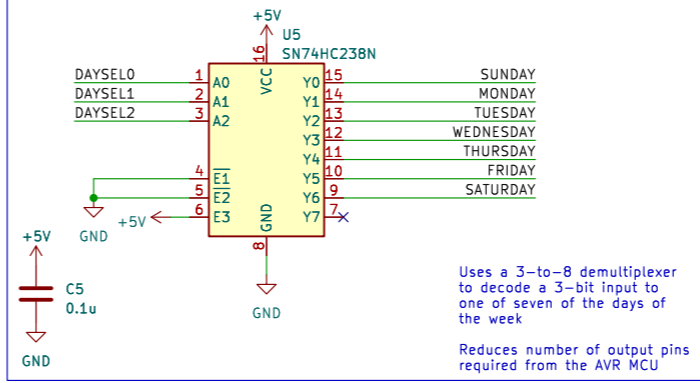


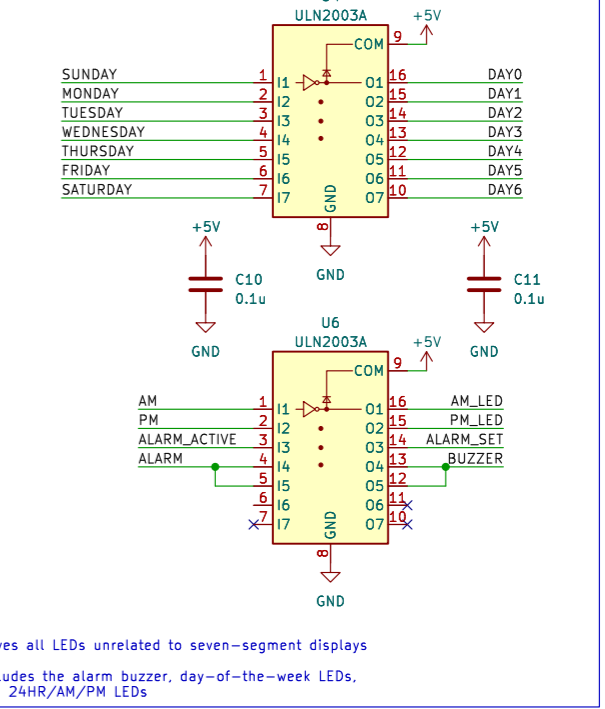
SEVEN-SEGMENT ANODE SCAN CIRCUITRY



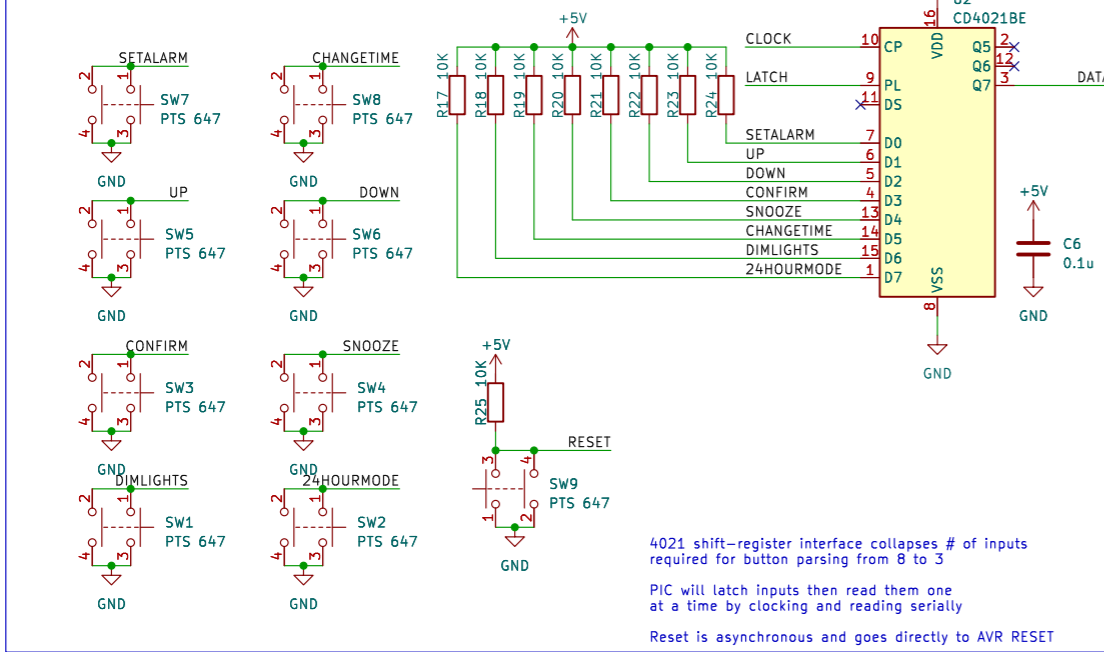
DAY SELECTION LOGIC



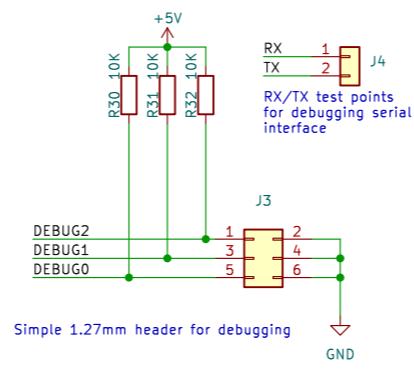
LOAD DRIVER CIRCUITRY



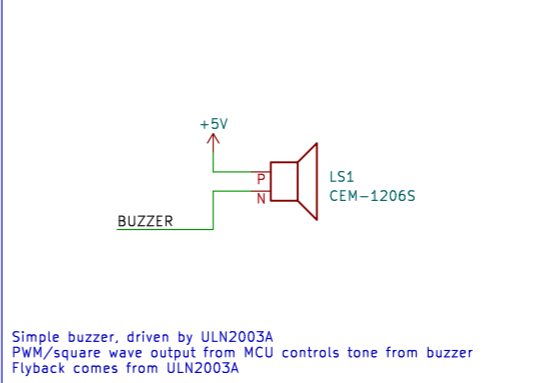
BUTTON INPUTS



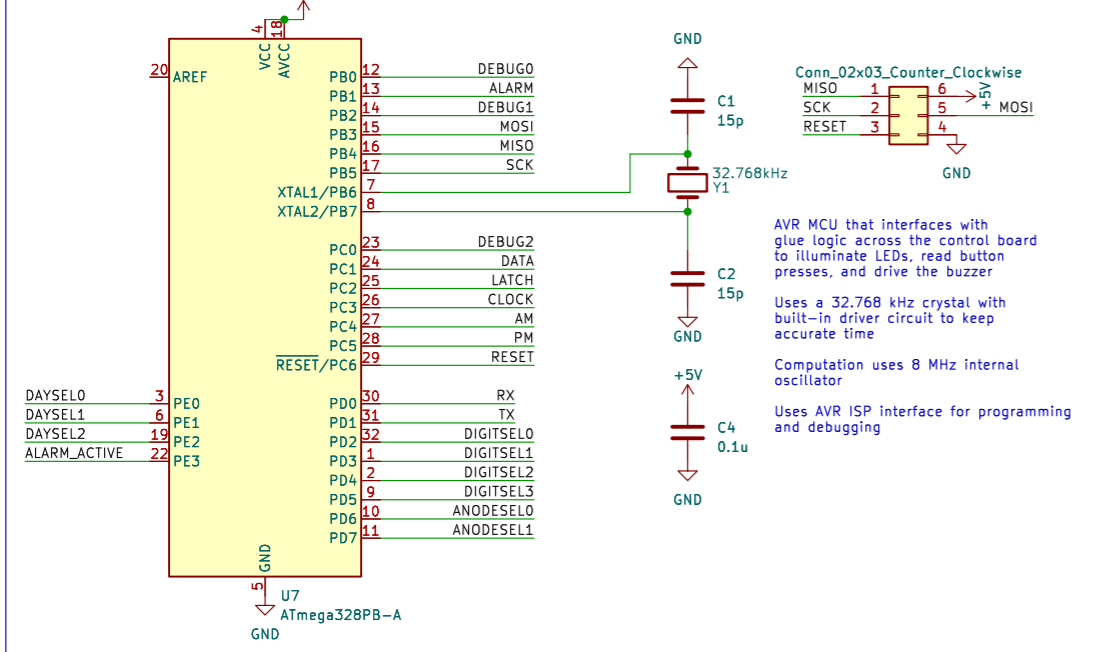
DEBUGGING SWITCHES



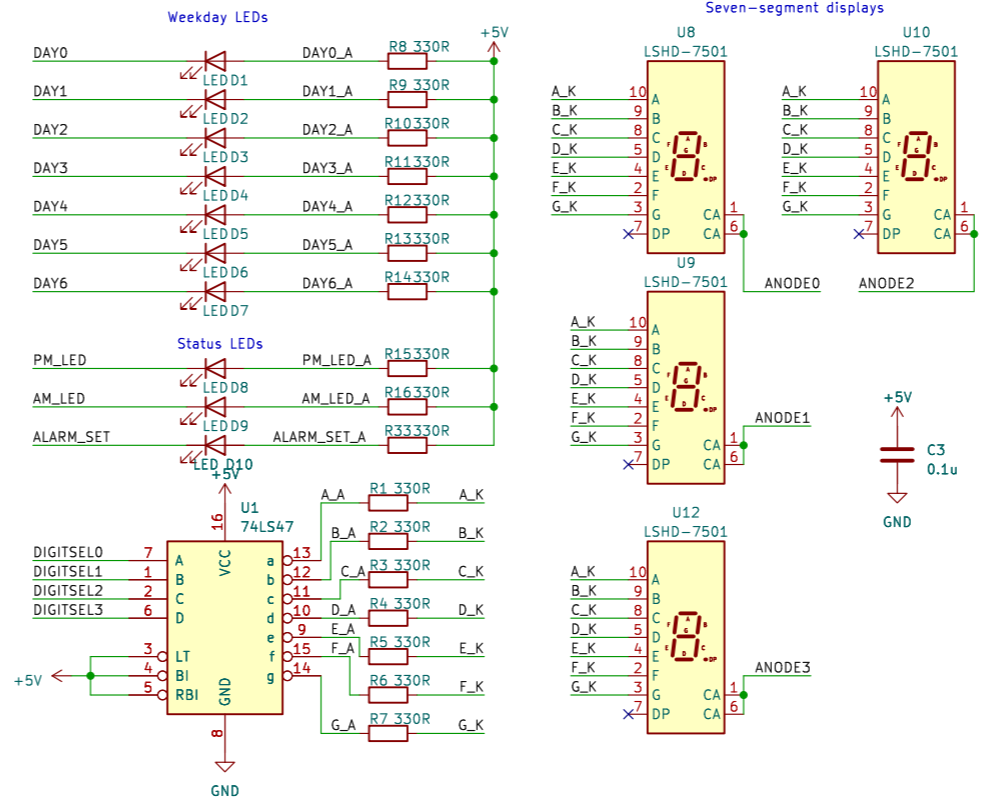
BUZZER



AVR INTERFACE



USER DISPLAY



USB INTERFACE

