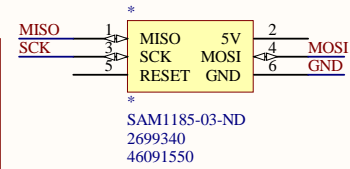
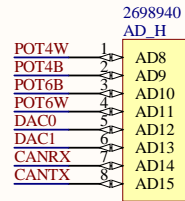
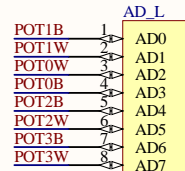
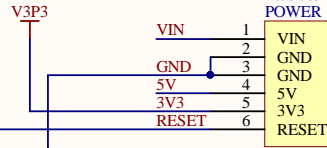
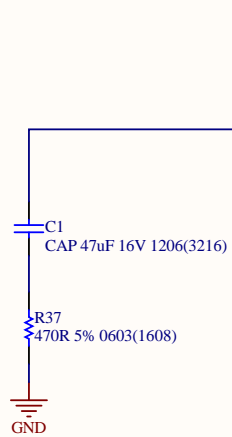
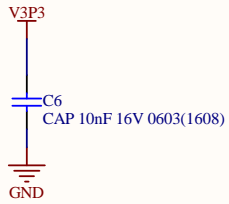


1

2

3

4



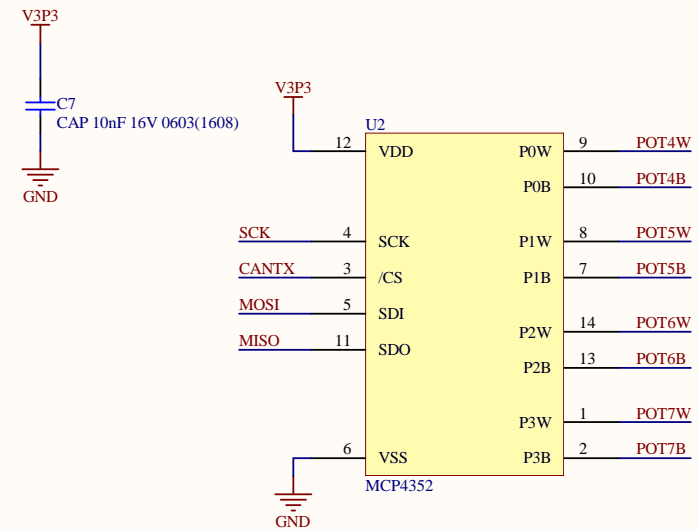
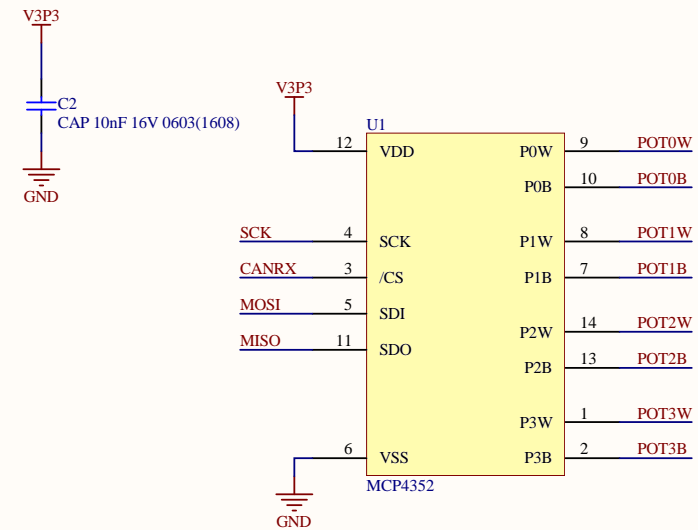
Title MemR Shield			Justin Davis * * *
Size: A4	Number: 1	Revision: A	
Date: 4/27/2017	Time: 3:32:52 PM	Sheet 1 of 2	
File: MemRConnectors.SchDoc			

1

2

3

4



Title MemR Shield			Justin Davis * * *
Size: A4	Number: 2	Revision: A	
Date: 4/27/2017	Time: 3:32:52 PM	Sheet 2 of 2	
File: MemRPot.SchDoc			

Boards