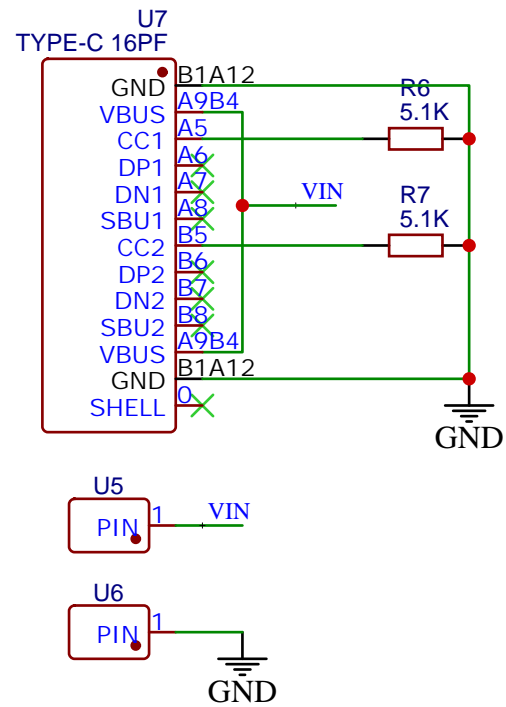
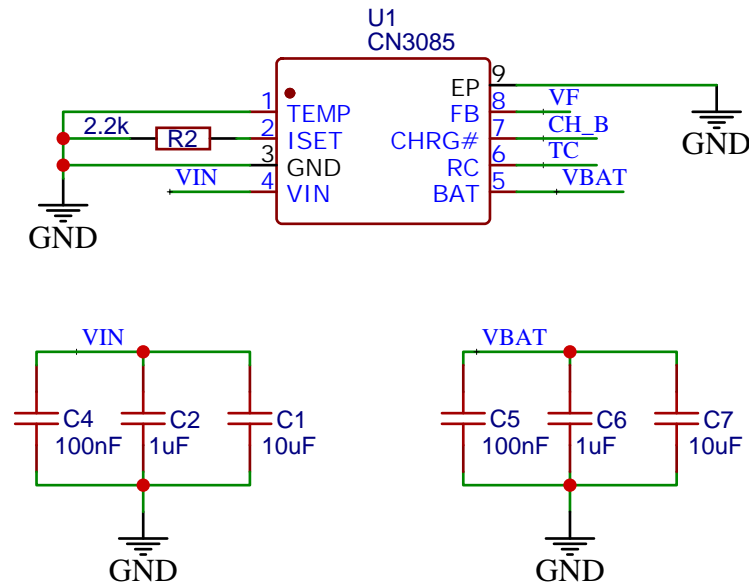


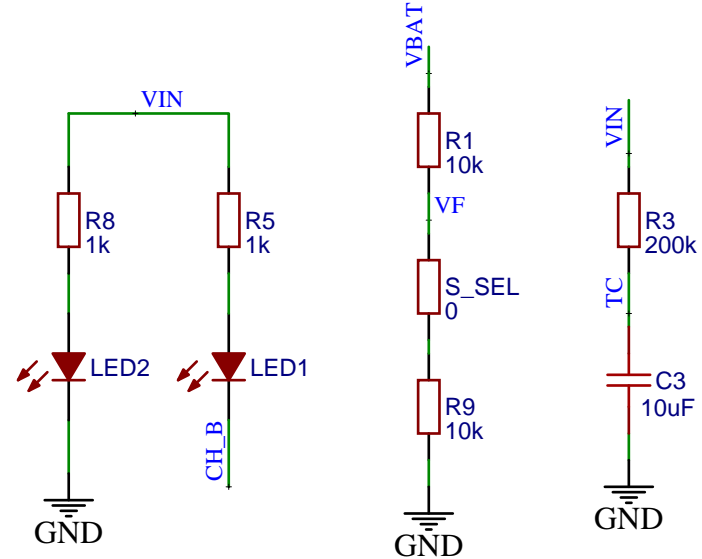
INPUT



CHARGING IC



CONTROL AND INDICATOR



OUTPUT

