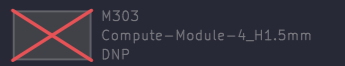


Pierluigi Colangeli	
Sheet: /	
File: CM5_MINIMA.kicad_sch	
Title: CM5 MINIMA	
Size: A4	Date: 2024-12-17
KiCad E.D.A. 8.0.7	Rev: 1
	Id: 1/7



CM mechanicals



Pierluigi Colangeli

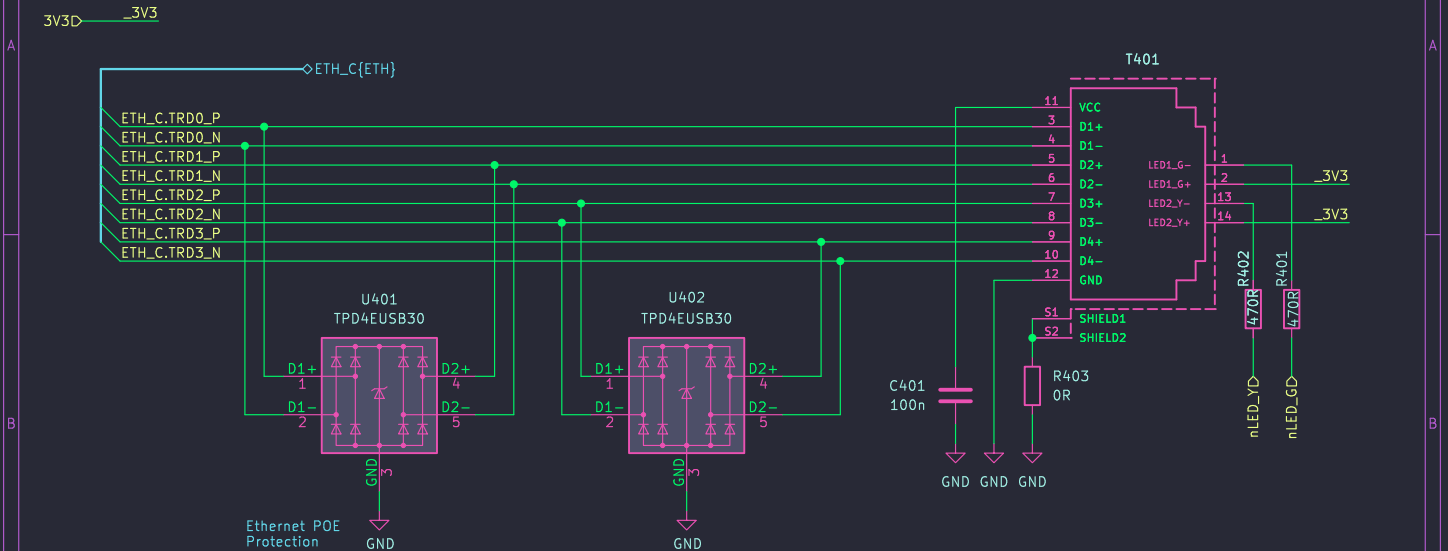
Sheet: /CM5/
File: CM5.kicad_sch

Title: CM5 MINIMA

Size: A3 Date: 2024-12-17
KiCad E.D.A. 8.0.7

Rev: 1
Id: 3/7

[ETHERNET]



Pierluigi Colangeli

Sheet: /Ethernet/

File: Ethernet.kicad_sch

Title: CM5 MINIMA

Size: A5

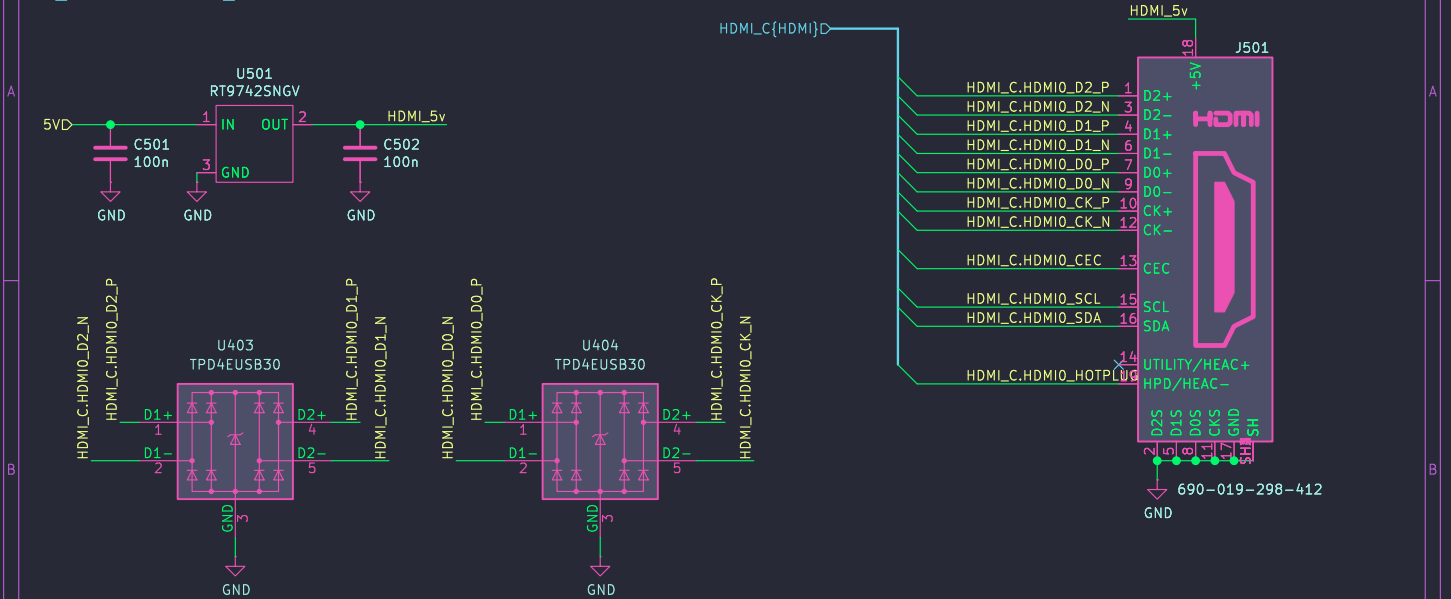
Date: 2024-12-17

KiCad E.D.A. 8.0.7

Rev: 1

Id: 4/7

[HDMI]



Pierluigi Colangeli

Sheet: /HDMI/

File: HDMI.kicad_sch

Title: CM5 MINIMA

Size: A5

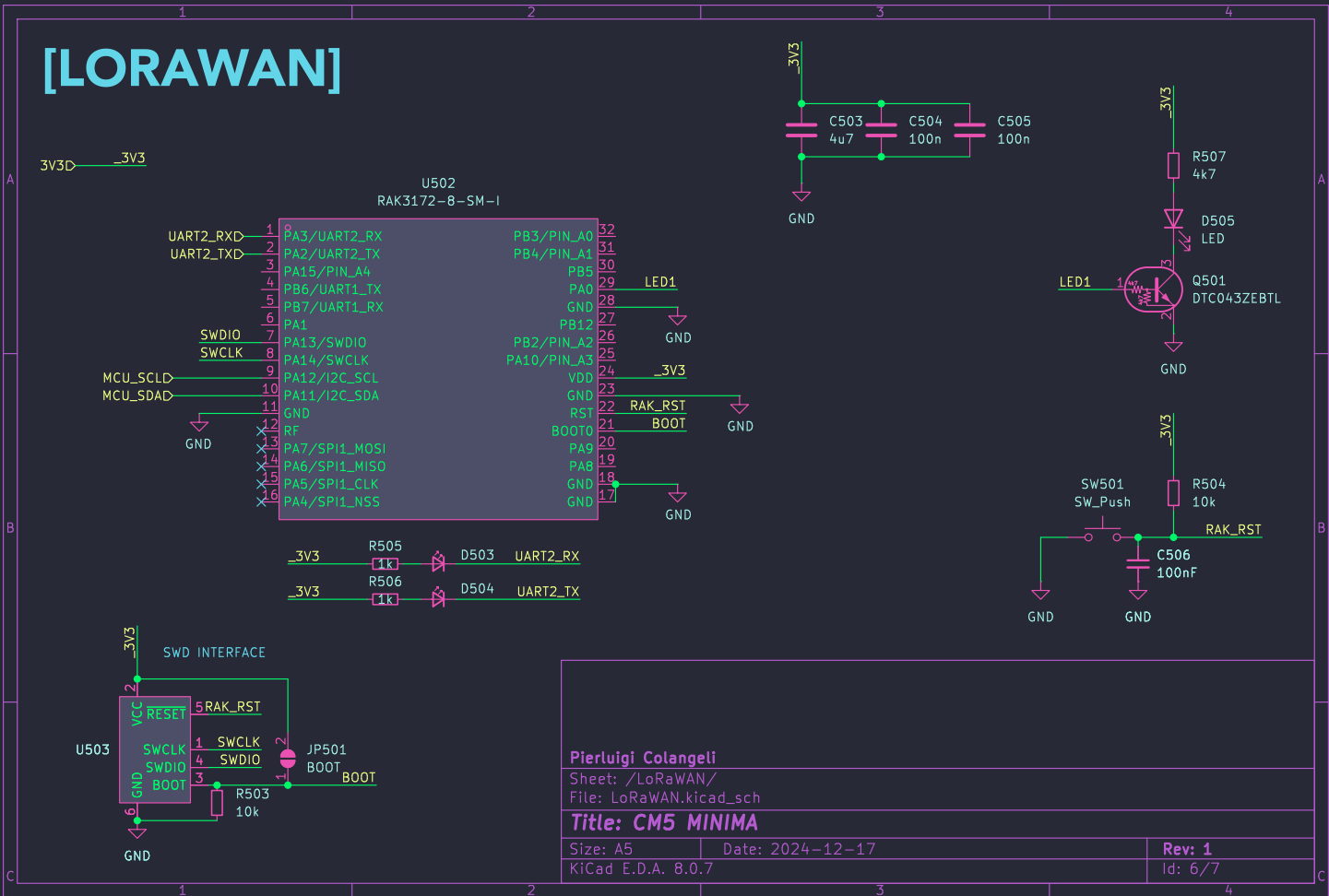
Date: 2024-12-17

KiCad E.D.A. 8.0.7

Rev: 1

Id: 5/7

[LORAWAN]



Pierluigi Colangeli

Sheet: /LoRaWAN/

File: LoRaWAN.kicad_sch

Title: CM5 MINIMA

Size: A5

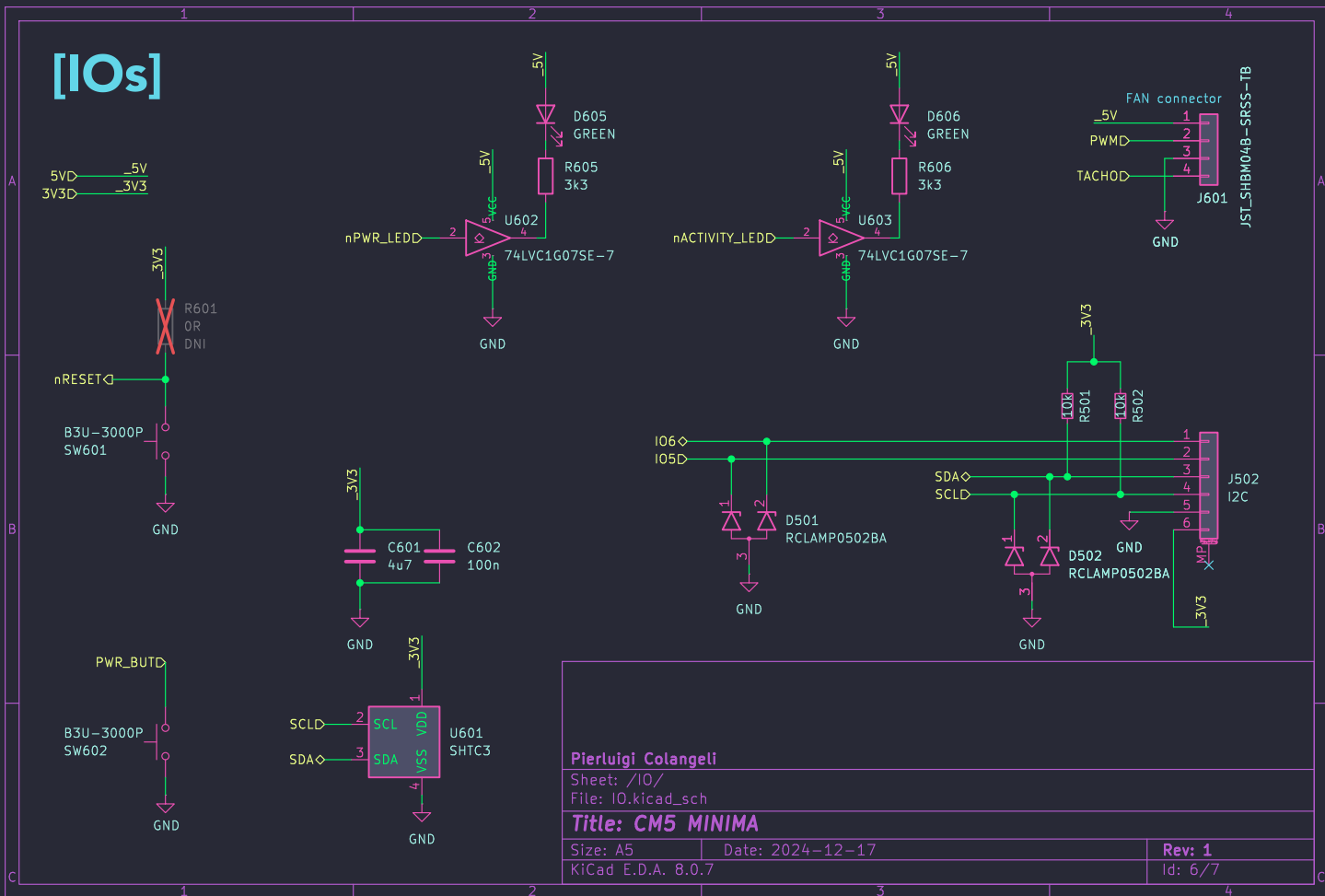
Date: 2024-12-17

KiCad E.D.A. 8.0.7

Rev: 1

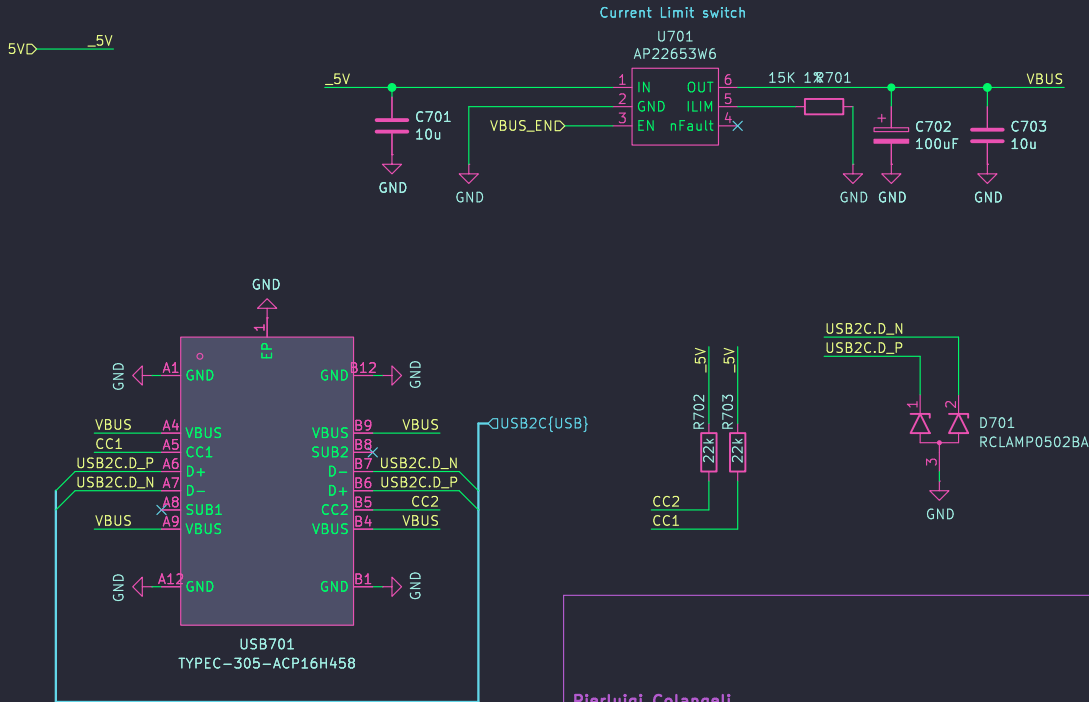
Id: 6/7

[IOs]



Pierluigi Colangeli	
Sheet: /IO/	
File: IO.kicad_sch	
Title: CM5 MINIMA	
Size: A5	Date: 2024-12-17
KiCad E.D.A. 8.0.7	Rev: 1
	Id: 6/7

[USB2.0]



Pierluigi Colangeli

Sheet: /USB/

File: USB.kicad_sch

Title: CM5 MINIMA

Size: A5

Date: 2024-12-17

KiCad E.D.A. 8.0.7

Rev: 1

Id: 7/7