

68k single board computer

SvdW / july 2024

Sheet: /  
File: 68kThunderbird\_rev0.kicad\_sch

**Title: 68k Thunderbird**

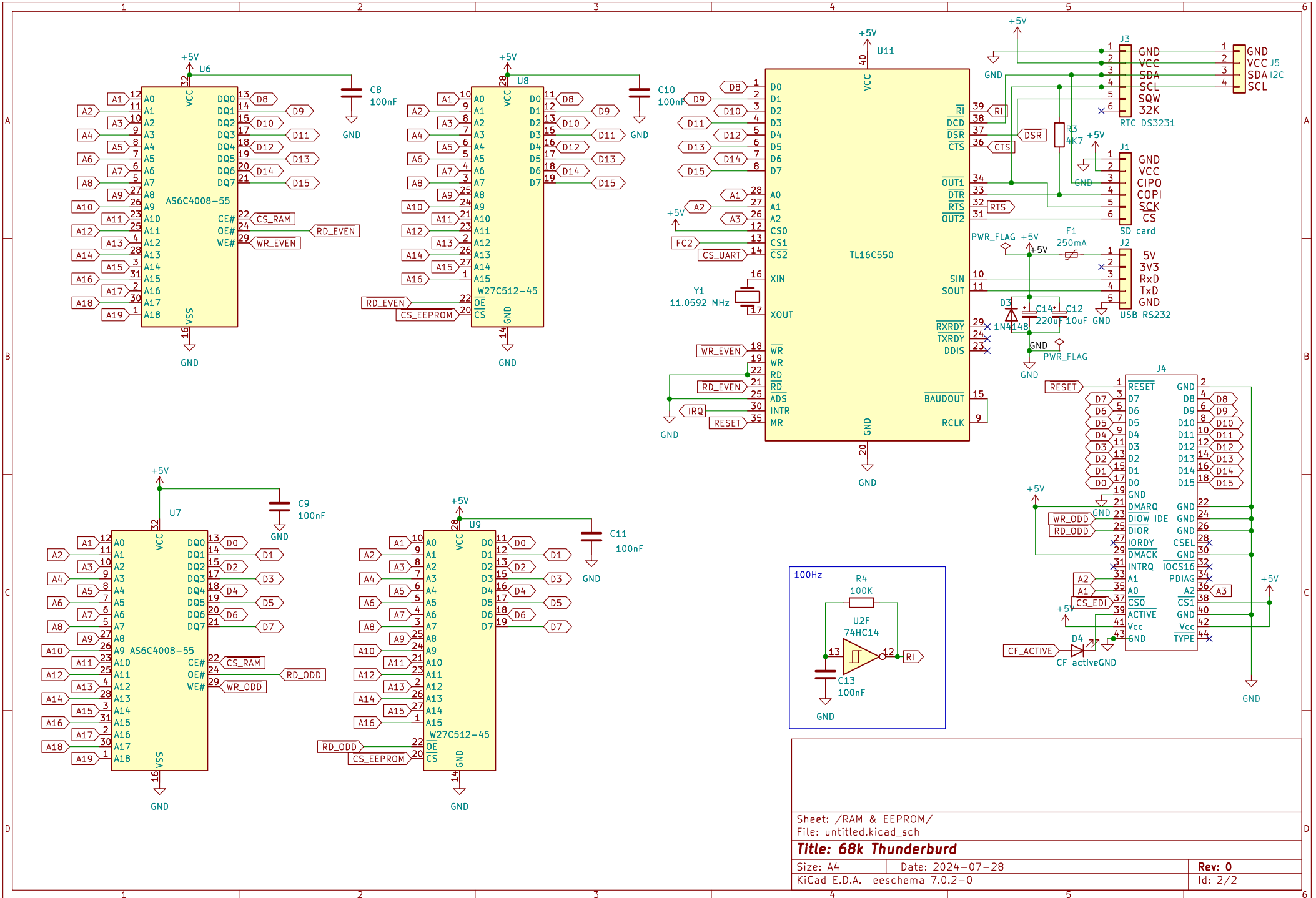
Size: A4 Date: 2024-07-28

KiCad E.D.A. eeschema 7.0.2-0

Rev: 0

Id: 1/2

RAM & EEPROM  
File: untitled.kicad\_sch



Sheet: /RAM & EEPROM/  
 File: untitled.kicad\_sch  
**Title: 68k Thunderbird**  
 Size: A4 | Date: 2024-07-28 | Rev: 0  
 KiCad E.D.A. eeschema 7.0.2-0 | Id: 2/2