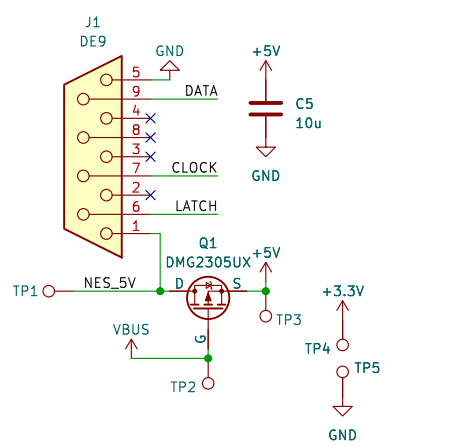
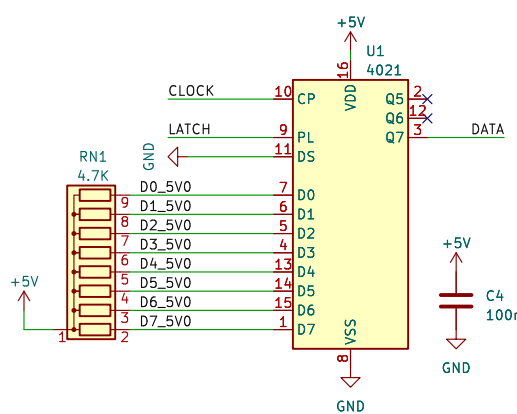


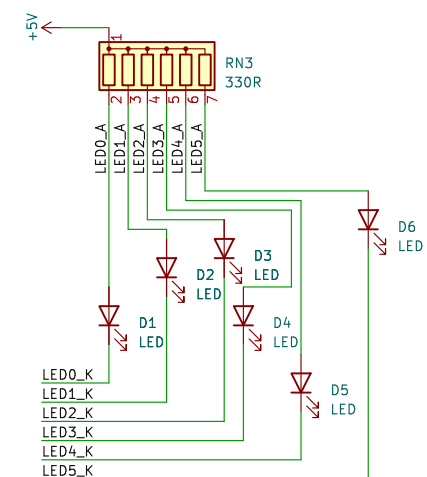
# DE-9 interface to NES



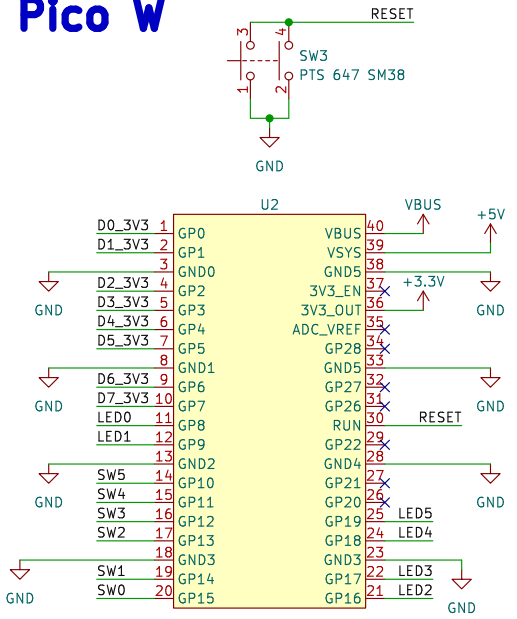
# CD4021 shift register



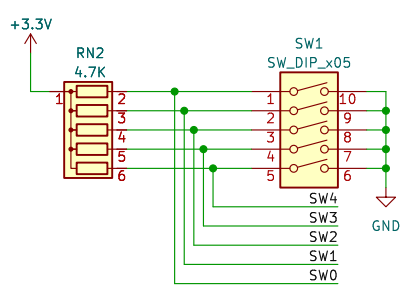
# LED biasing



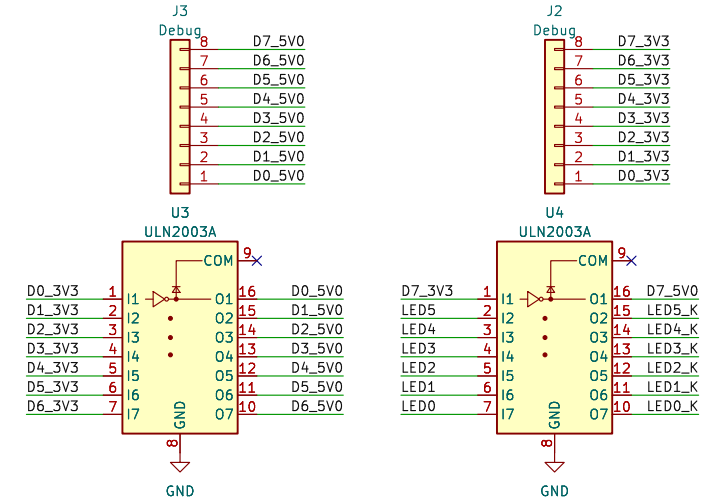
# RPI Pico W



# Debug switches



# ULN2003A: load driver and level shifter



Zachary Murtishi

Sheet: /  
File: NES Bluetooth Adapter Kit.kicad\_sch

Title: Bluetooth Low Energy Receiver for NES Controller Port

Size: A4 Date: 2024-12-28  
KiCad E.D.A. kicad 7.0.2-0

Rev: 1  
Id: 1/1