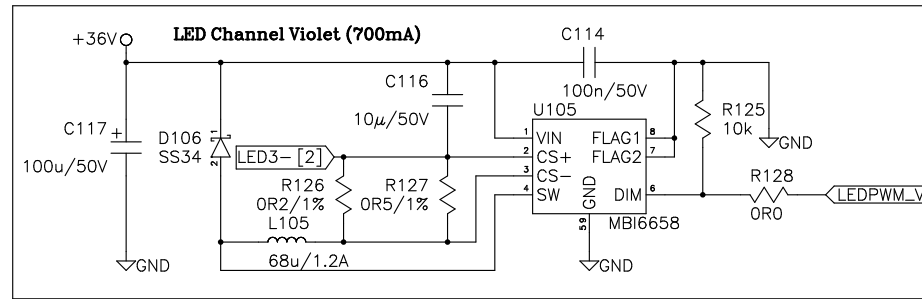
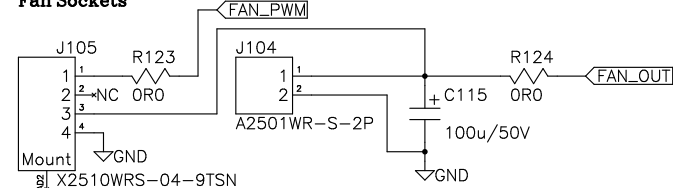


The SMD socket for Borneo BLC05MK3-H module



Fan Sockets



Generic 2.54mm 2P SMD connector

JST S4B-XH-SM4-TB Compatible

Model: BLB08103 (rev: \$rev)

Date: \$date

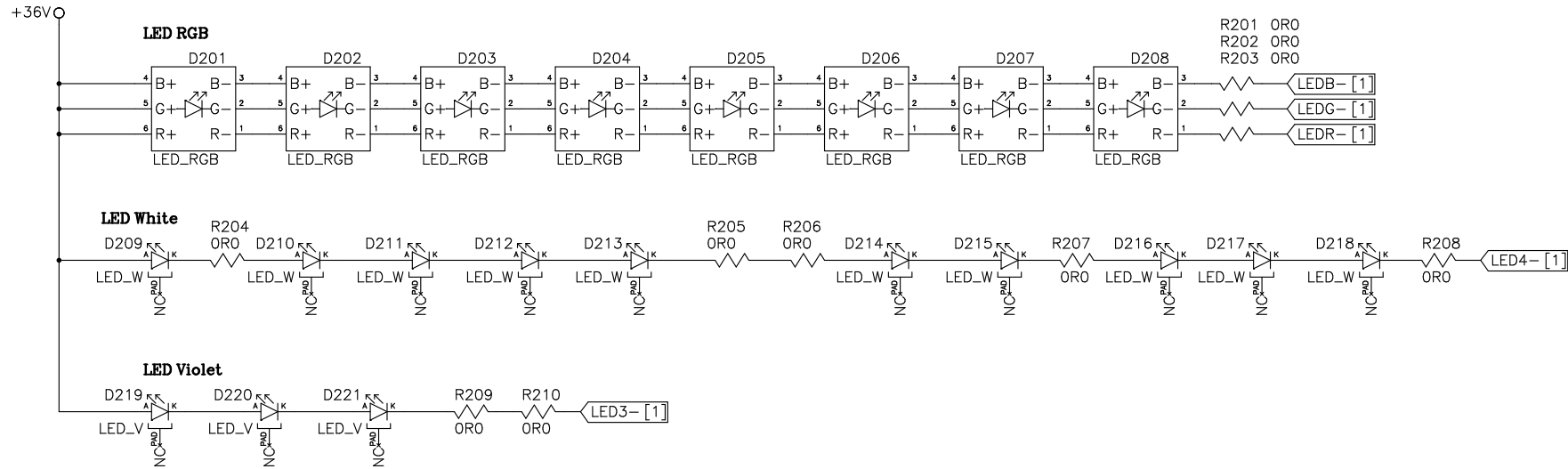
Copyright (C) 2024-TODAY \$author. All rights reserved. Licensed in CERN OSHL 2.0 S

This design is not permitted for commercial use. There is no warranty provided.

Sheet LED Drivers	Number 1/2
Project BLB08103	Revision 1
Drawn by Li Wei	
License CERN OSHL-2.0-S	
Date 2024-11-15	




open source hardware



Power Configuration:
 LED[RGB]: $3W \times 8 = 24W$
 LED[W]: $3W \times 10 = 30W$
 LED[V]: $3W \times 3 = 9W$
Total: 63W

Model: \$model (rev: \$rev)
 Date: \$date
 Copyright (C) 2024-TODAY Li Wei. All rights reserved. Licensed in CERN OSHL 2.0 S
 This design is not permitted for commercial use. There is no warranty provided.

Sheet LEDs	Number 2/2
Project BLB08103	Revision 1
Drawn by Li Wei	
License CERN OSHL-2.0-S	
Date 2024-11-15	 open source hardware