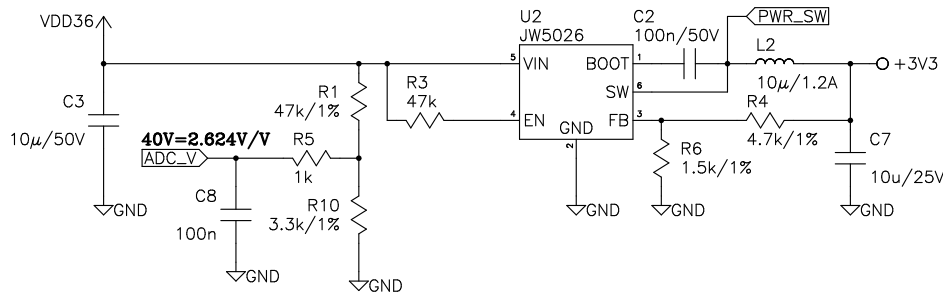
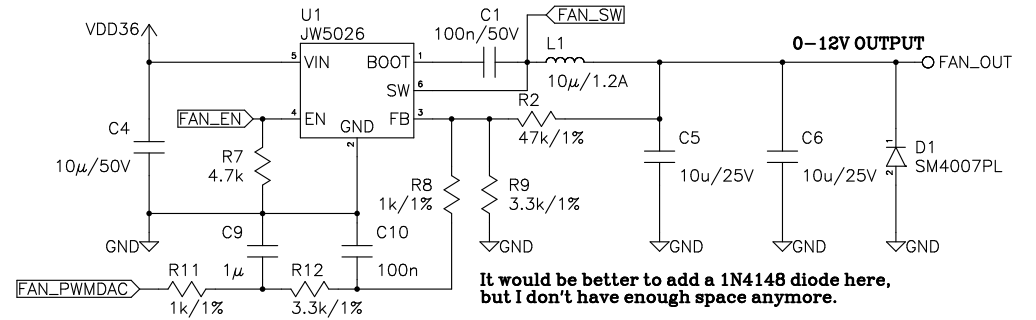


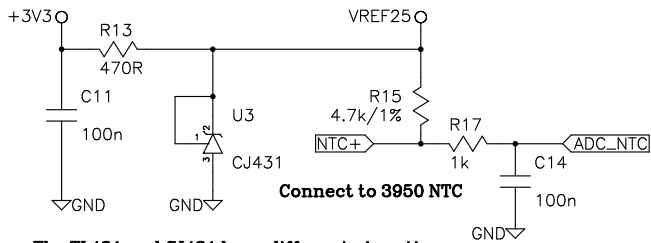
### Power Supply



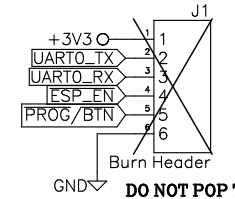
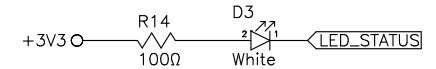
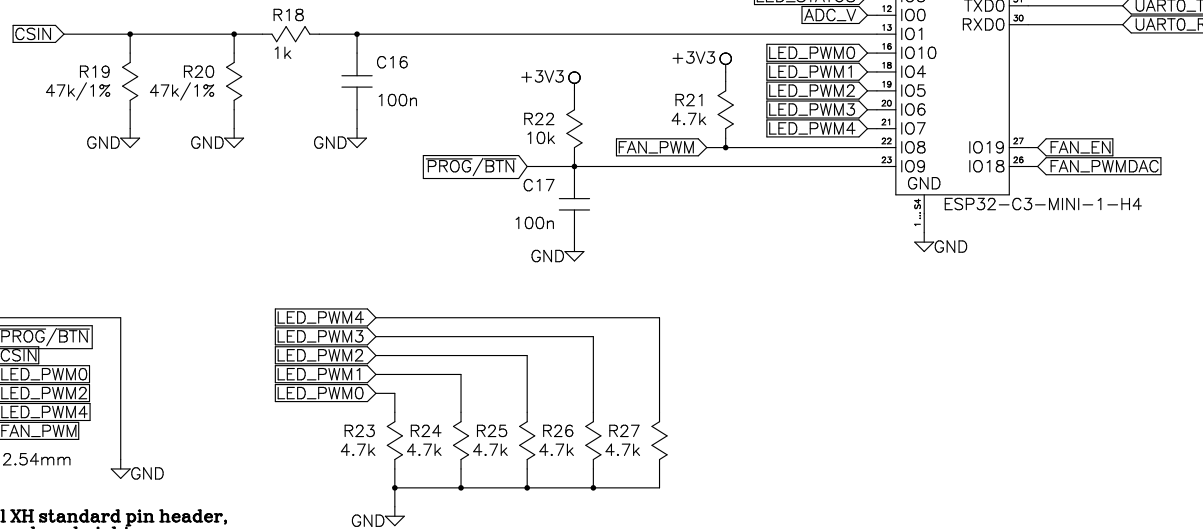
### Fan Driver



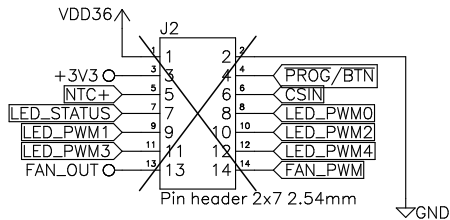
### NTC/Temperature Sensor



**Notes for INA139:**  
 \*  $R_{sense} = 10m\Omega$   
 \*  $Gain = 23.5$   
 \*  $Max\ 11A = 2.6V$



**DO NOT POP THIS.**



**This pin header can use a vertical XH standard pin header, or a 90-degree horizontal one to reduce height. For the SMD horizontal female header, consider: \* SMH-107-02-G-D**

**CAUTION:**  
 \* `FAN\_PWM` should not be pulled low during power-on, otherwise the program cannot be flashed.  
 \* `PROG/BTN` should not be pulled low during power-on too.

Sheet /	Number 1/1
Project BLC05MK3	Revision 1
Drawn by Li Wei	
License CERN-OHL-S-2.0	
Date 2024-10-31	

