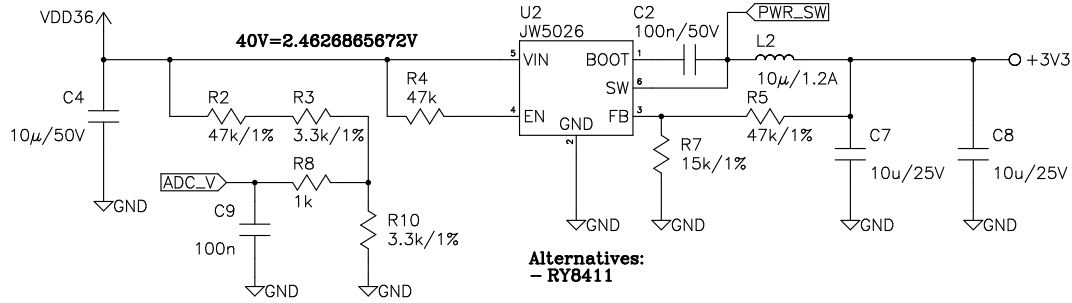
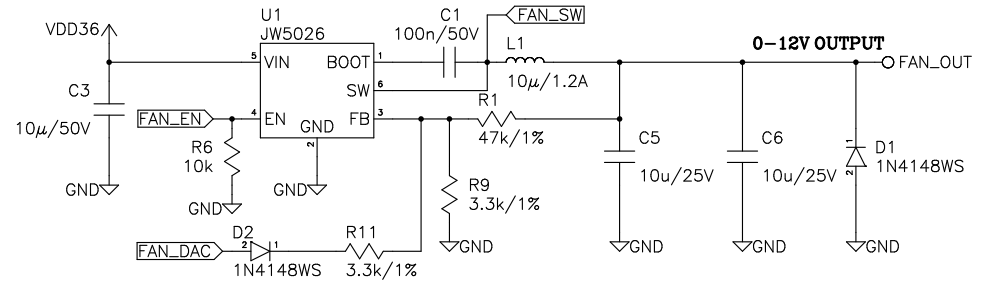


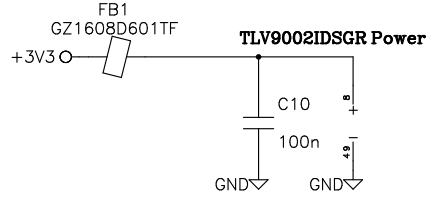
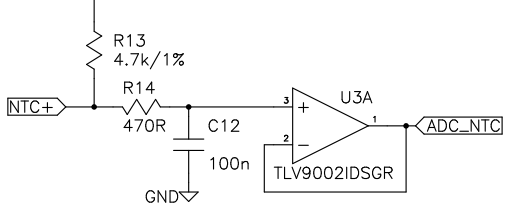
### Power Supply



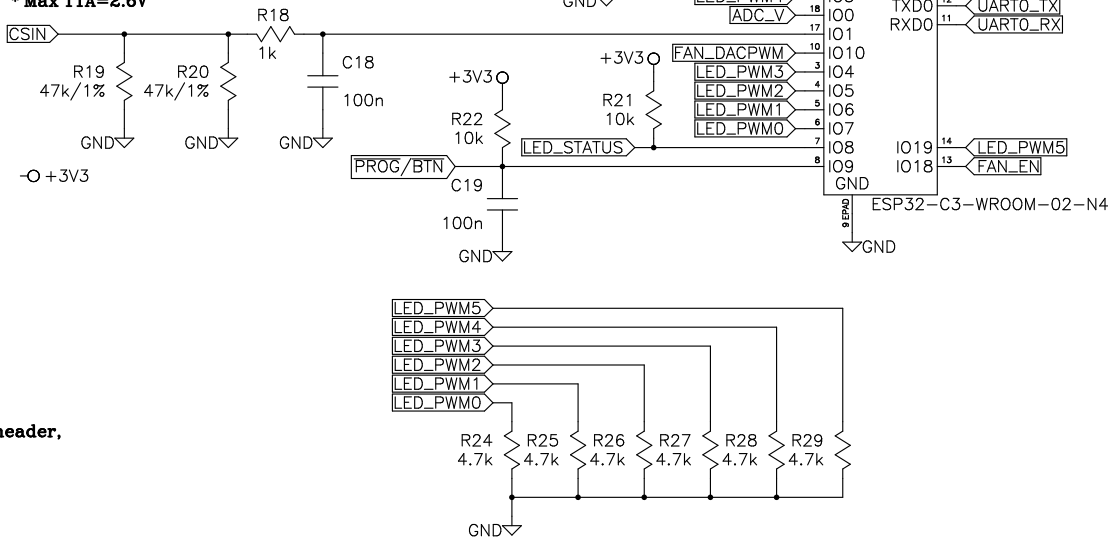
### Fan Driver



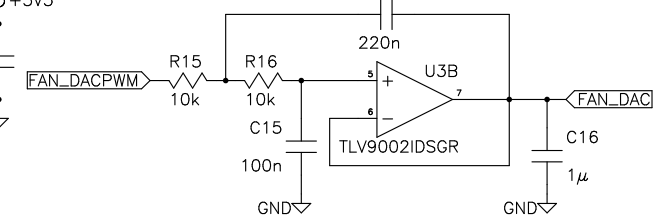
### NTC/Temperature Sensor



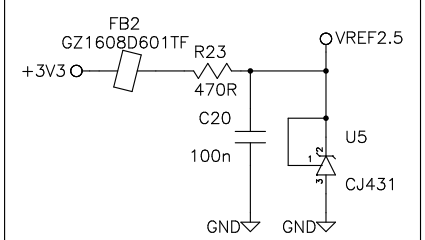
**Notes for INA139:**  
 \*  $R_{sense}=10m\Omega$   
 \*  $Gain=23.5$   
 \*  $Max\ 11A=2.6V$



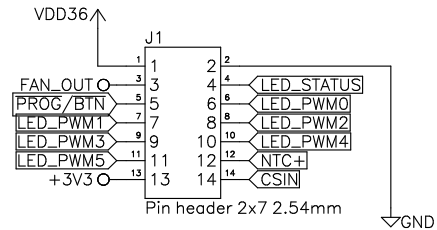
### Fan PWM D/A



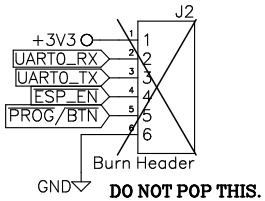
### 2.5V Reference



**The TL431 and CJ431 have different pinout!**



This pin header can use a vertical XH standard pin header, or a 90-degree horizontal one to reduce height. For the SMD horizontal female header, consider: \* SMH-107-02-G-D



### \*CAUTION\*:

- 'FAN\_EN' should not be pulled low during power-on, otherwise the program cannot be flashed.
- 'PROG/BTN' should not be pulled low during power-on too.

Sheet /	Number 1/1
Project BLC06-MK1	Revision 1
Drawn by Li Wei	
License CERN-OHL-S-2.0	
Date 2024-10-31	

