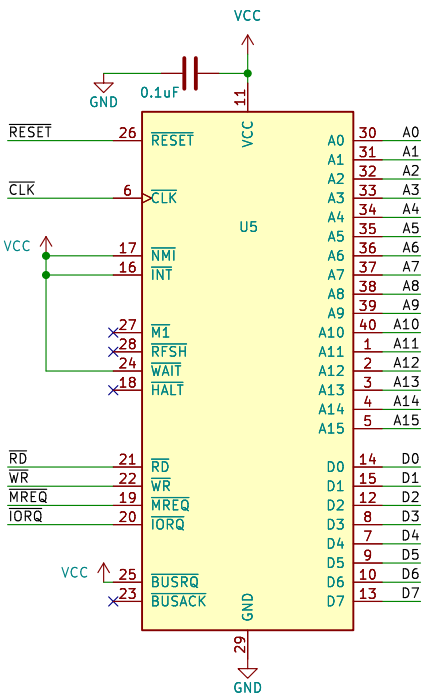
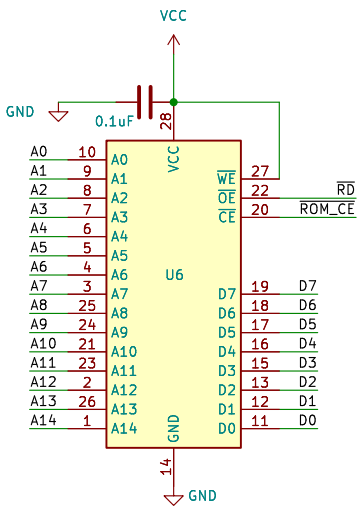


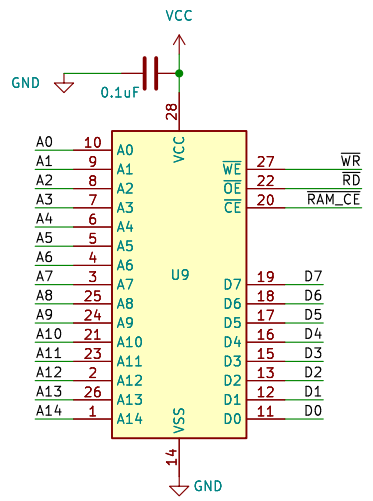
Z80CPU



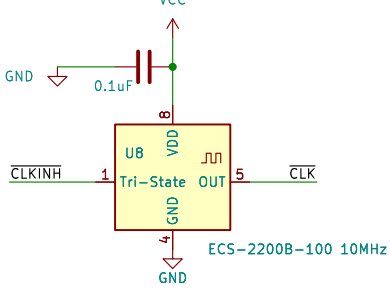
AT28C256 (32kB ROM)



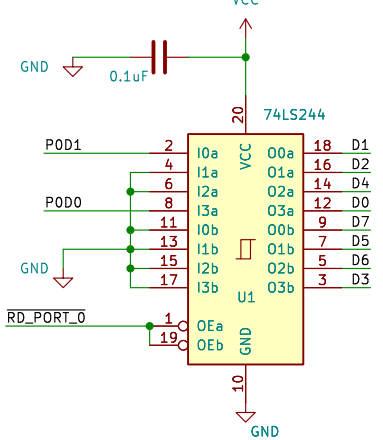
AS6C62256 (32kB SRAM)



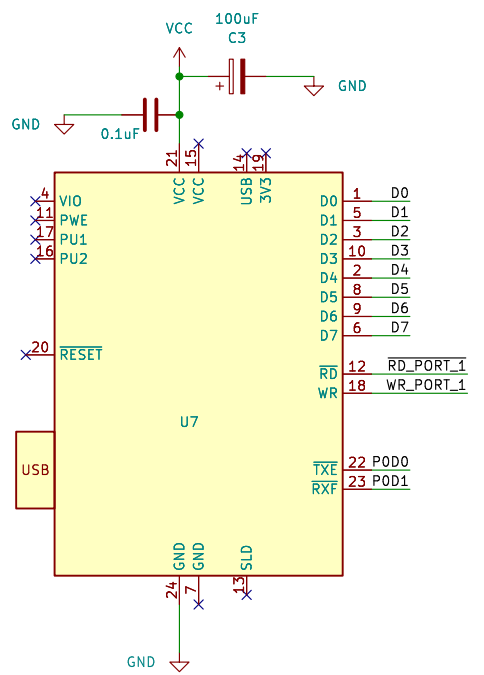
Clock



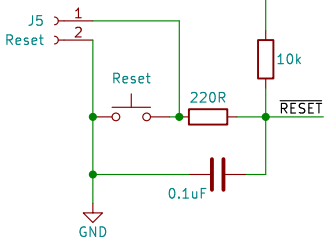
Port 0 - Read Buffer



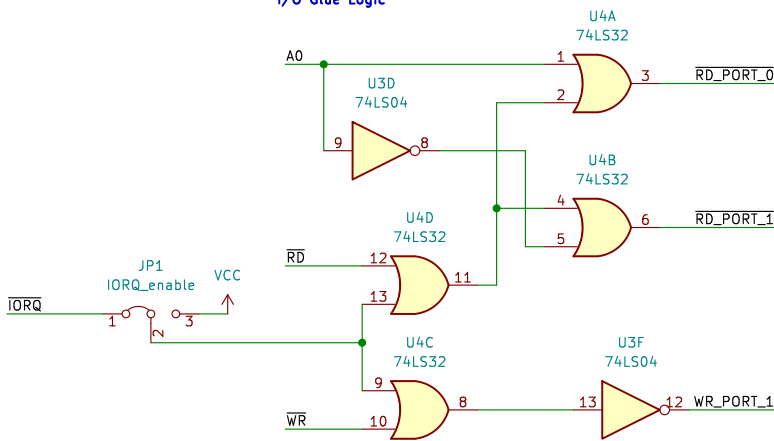
UM245R



Reset



I/O Glue Logic



Memory Glue Logic

