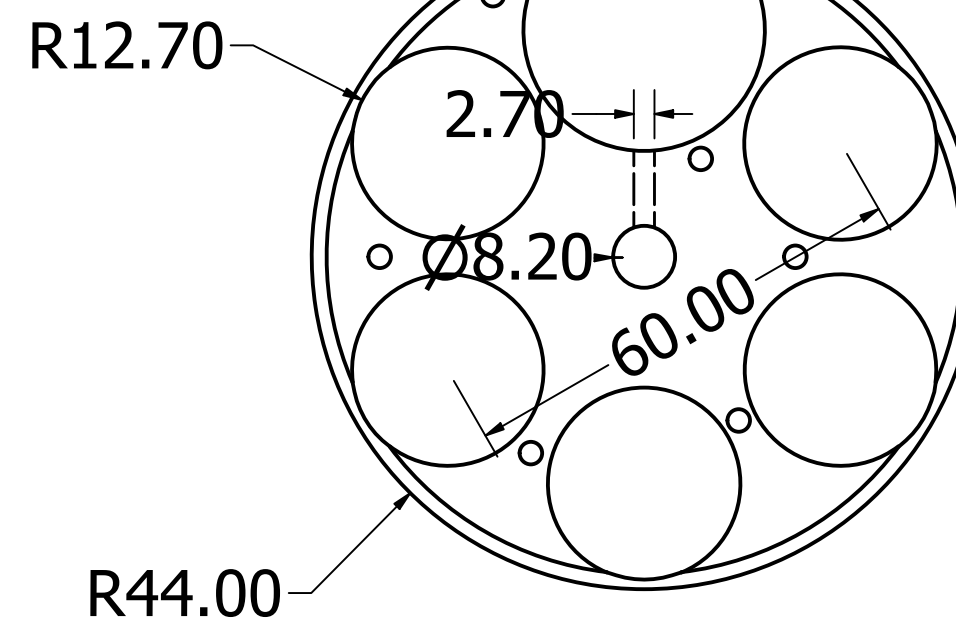
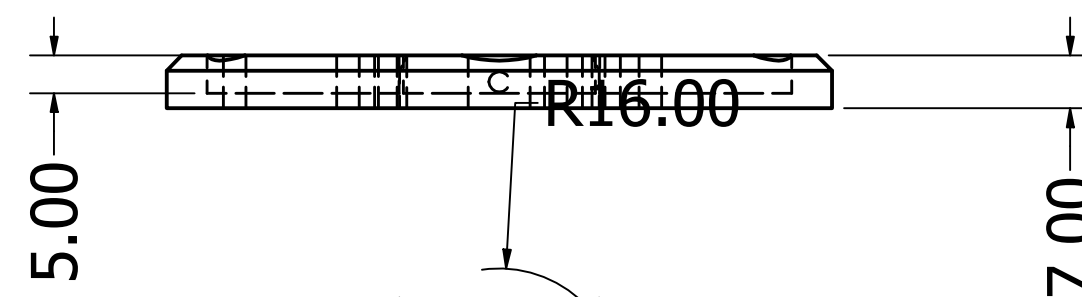
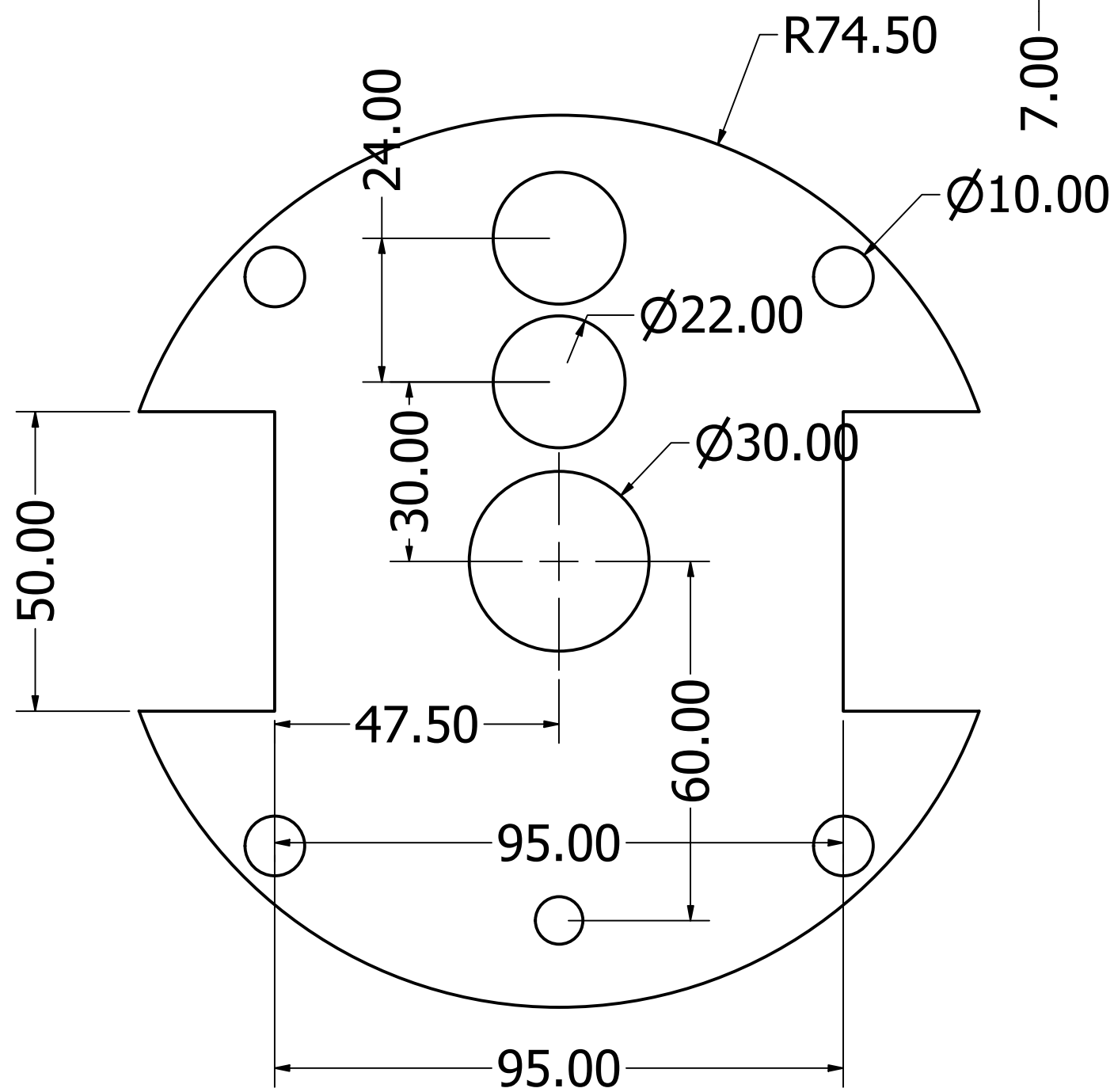
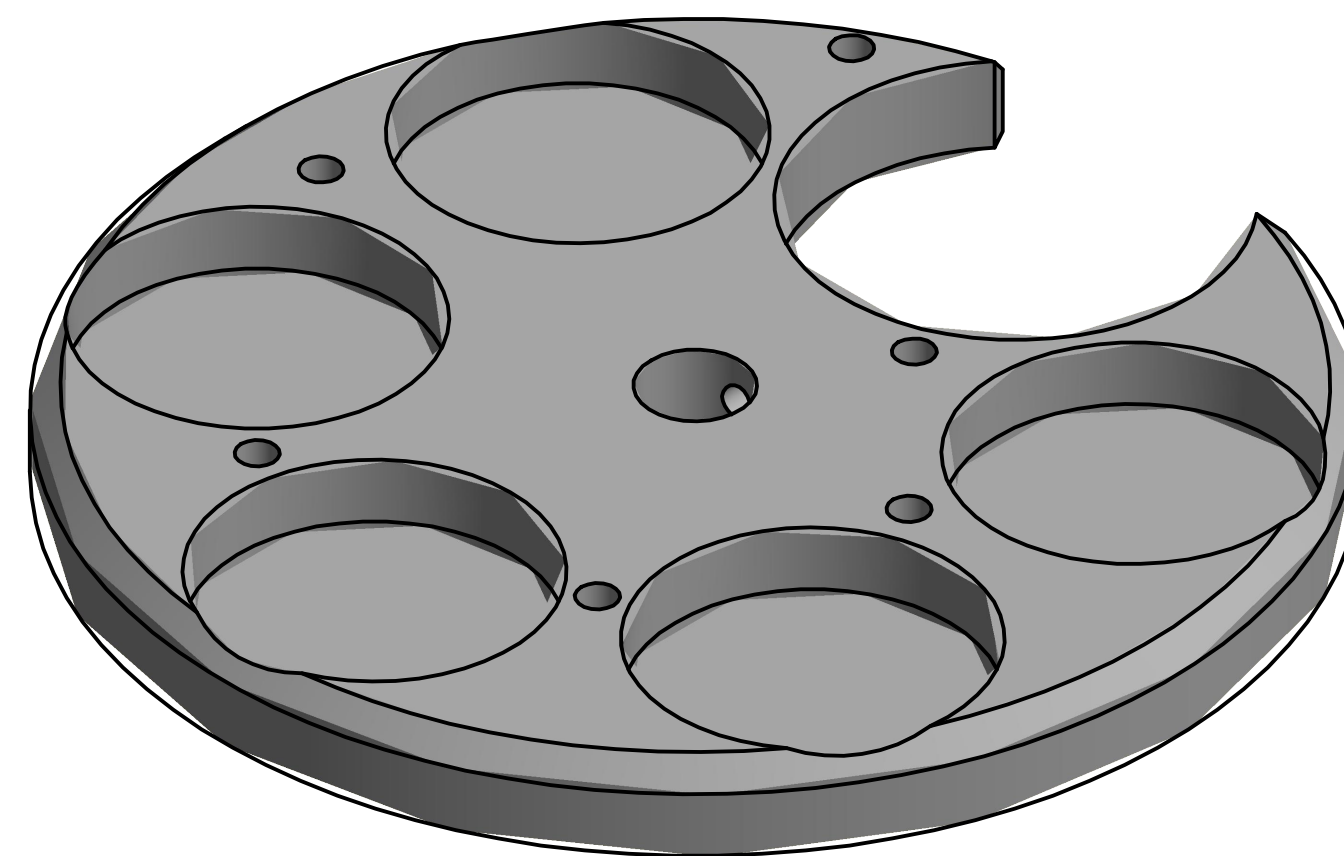
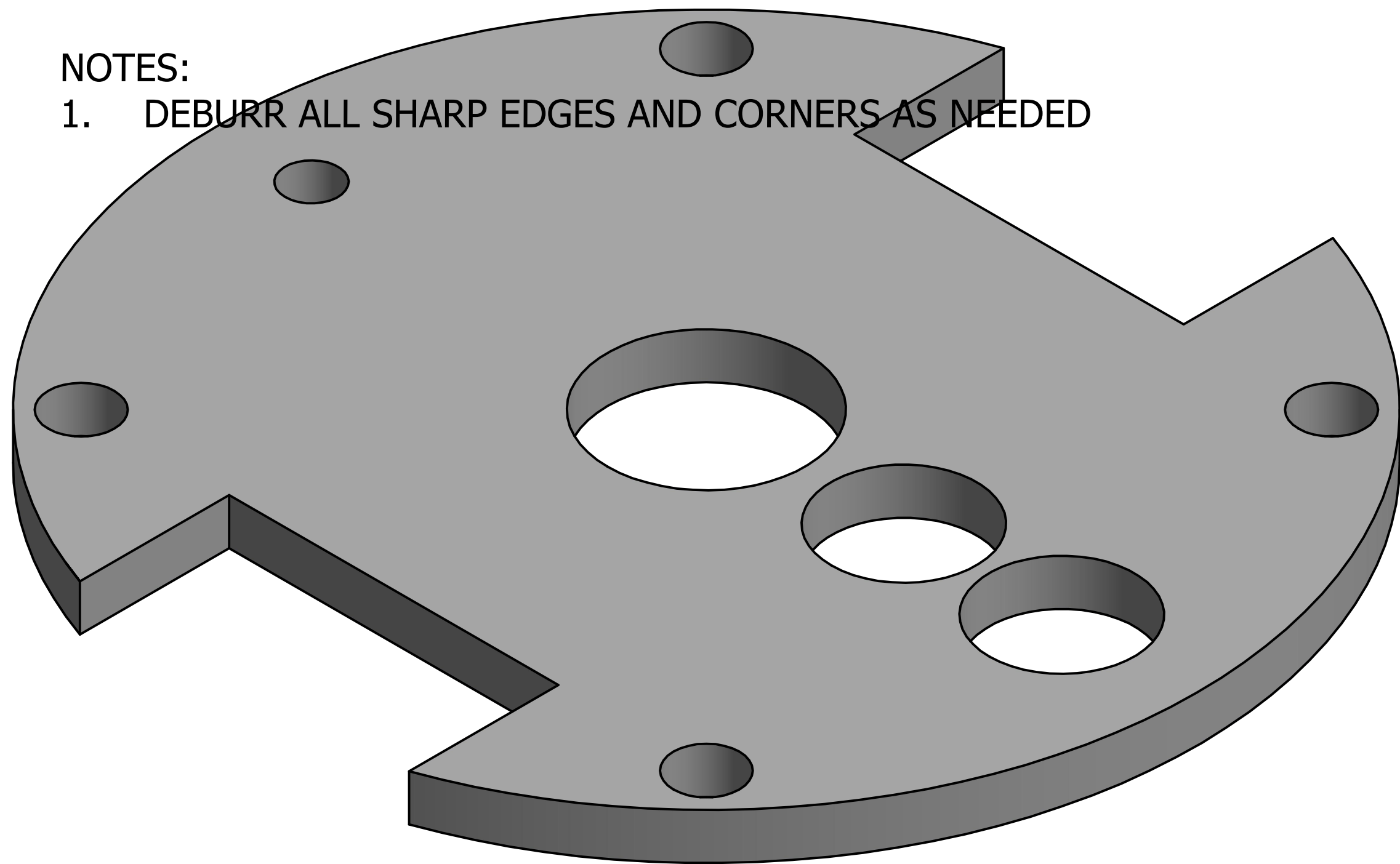


NOTES:

1. DEBURR ALL SHARP EDGES AND CORNERS AS NEEDED



DRAWN	Sebastián	04-03-2024		
CHECKED			TITLE	
QA				
MFG				
APPROVED				
		SIZE	DWG NO	REV
		C	placa_base-1	
		SCALE	1 : 1	
			SHEET 2 OF 2	