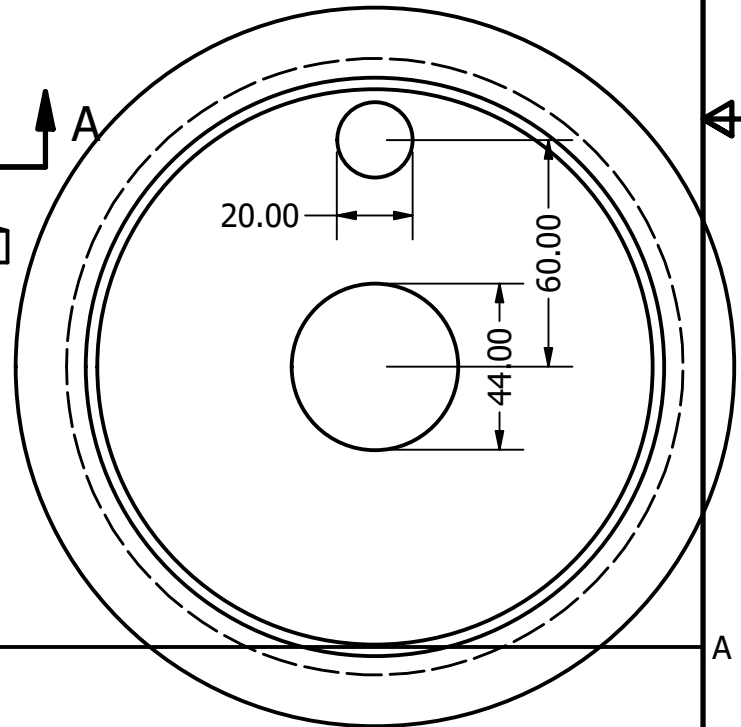
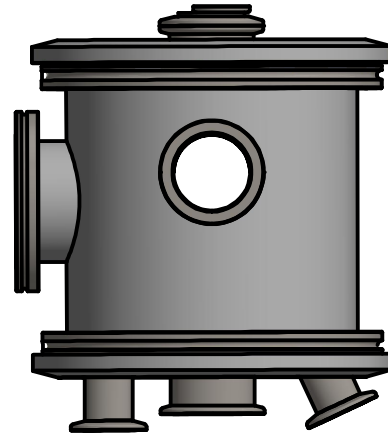
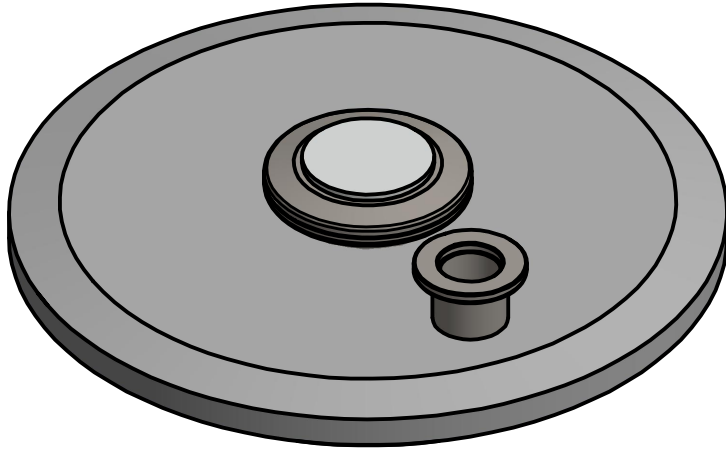


PARTS LIST		
ITEM	QTY	PART NUMBER
1	1	chamber
2	2	Hositrad_ISO-K160-154
3	2	KF40-40_mandri
4	1	ISO63
5	1	Hositrad_ISO160AV
6	1	top_flange
7	1	bottom_cover



DRAWN	Sebastián	04-02-2025
CHECKED		
QA		
MFG		
APPROVED		

TITLE			VIEW A-A SCALE 1 / 2		
SIZE		DWG NO			
A		chamber_top			
SCALE	1 / 4	SHEET 2 OF 2			