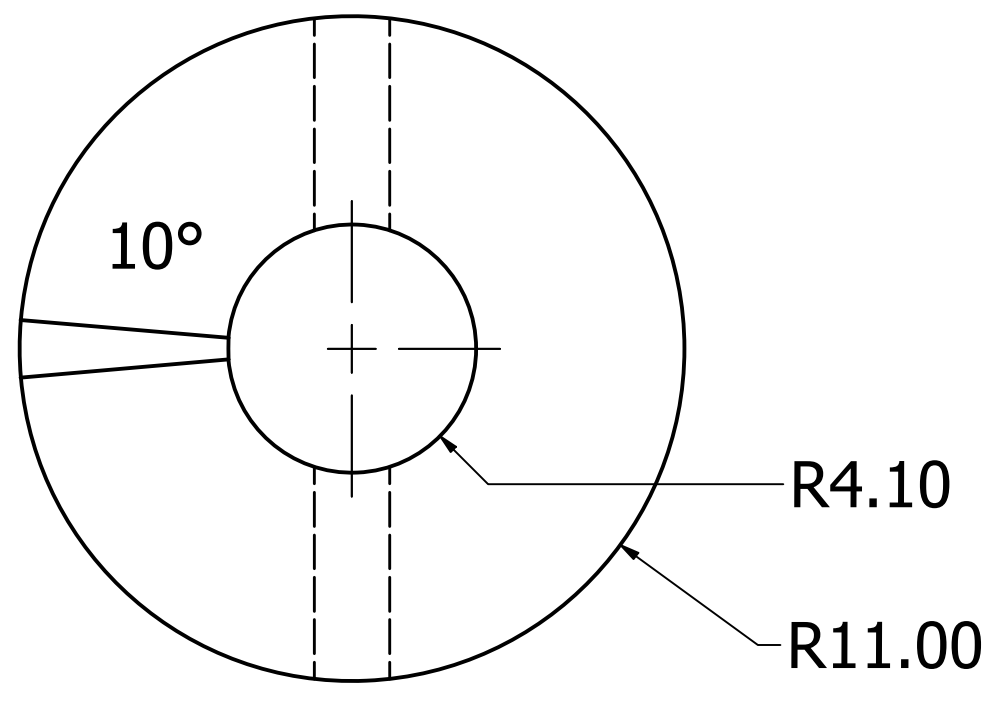
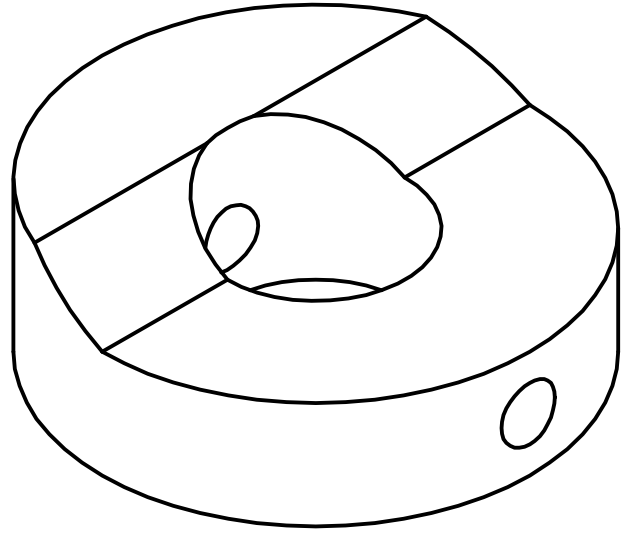
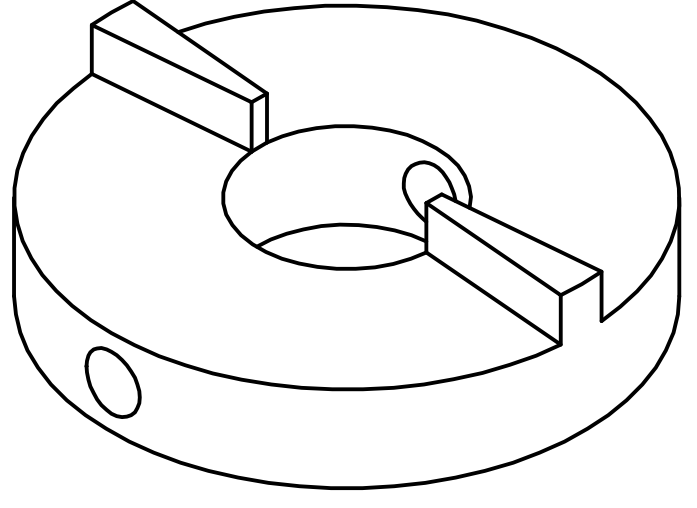
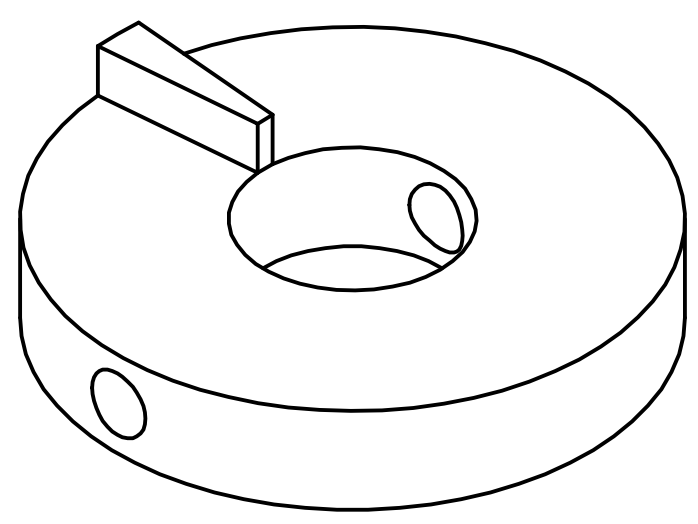
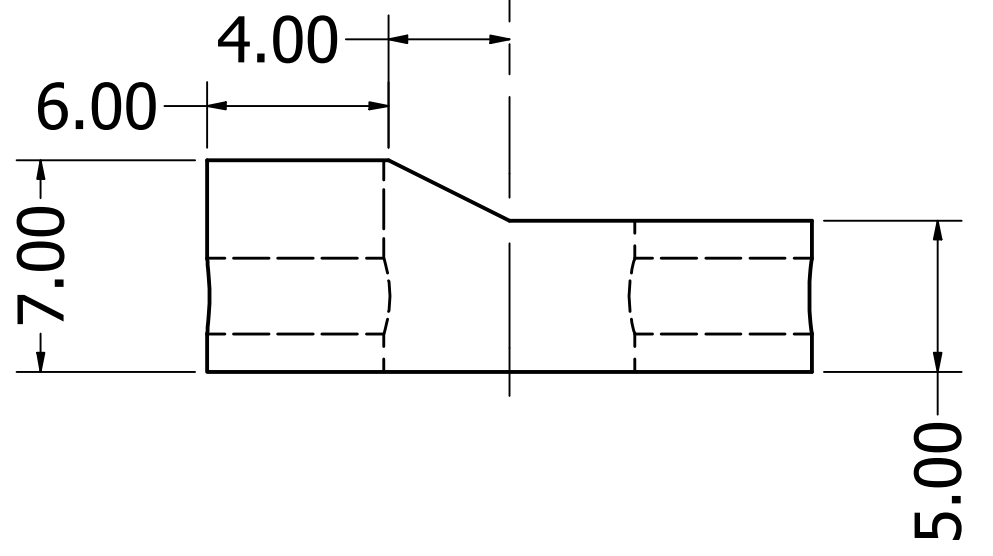
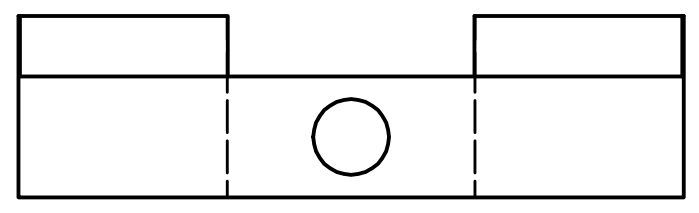
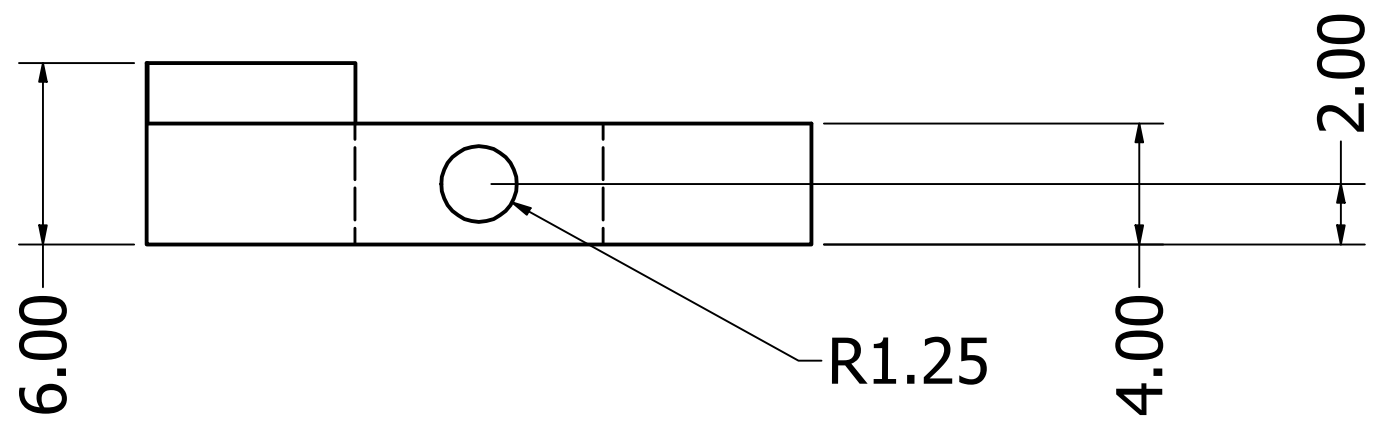
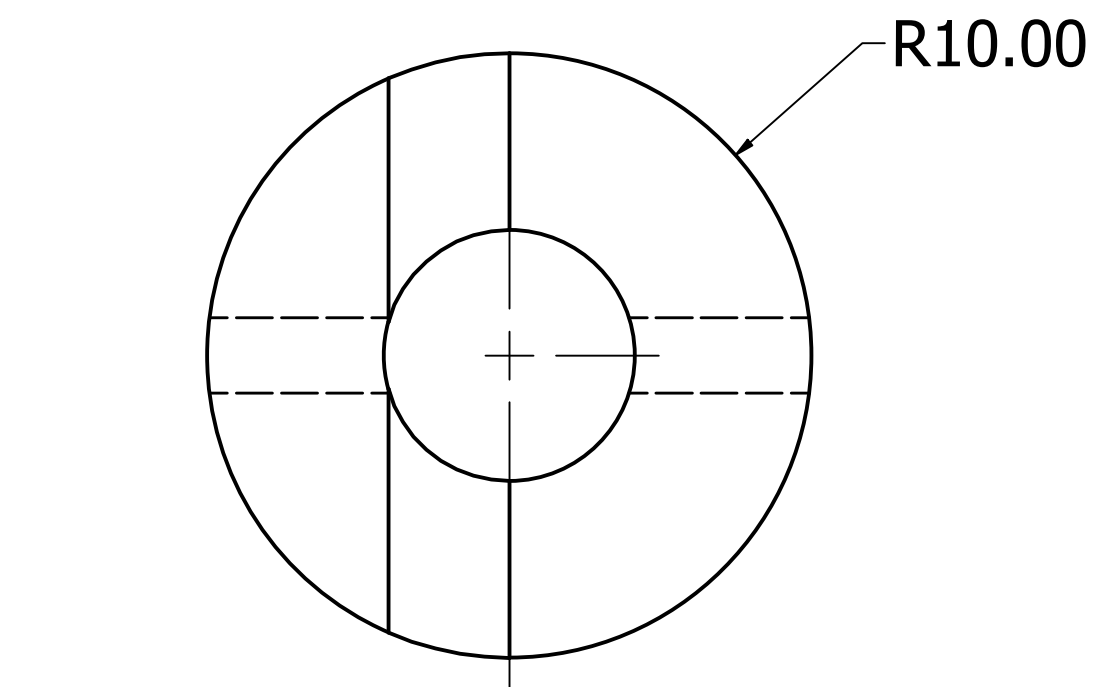
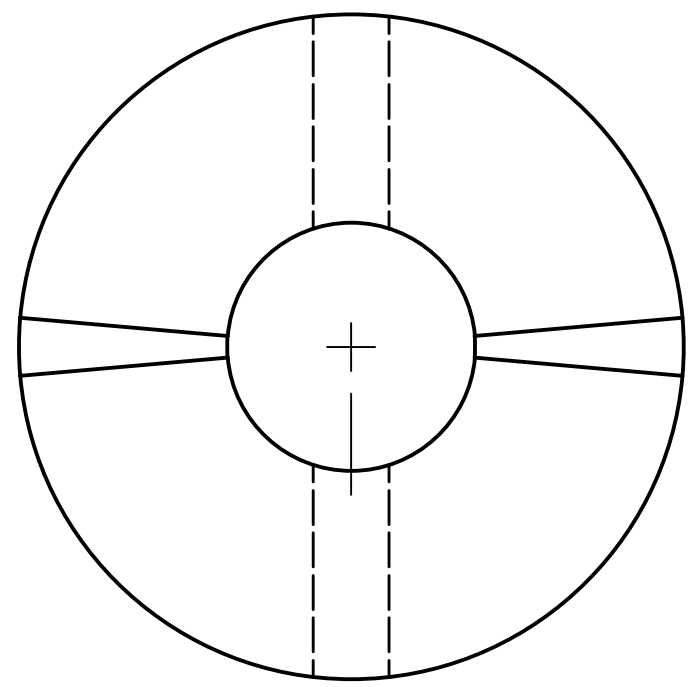


4 3 2 1



TOP
SCALE 4 : 1



DRAWN Sebastián	04-03-2024	TITLE		
CHECKED				
QA				
MFG				
APPROVED		SIZE C	DWG NO shaft_couplers	REV
		SCALE 4 : 1	SHEET 2	OF 2

D
C
B
A

D
C
B
A

4 3 2 1