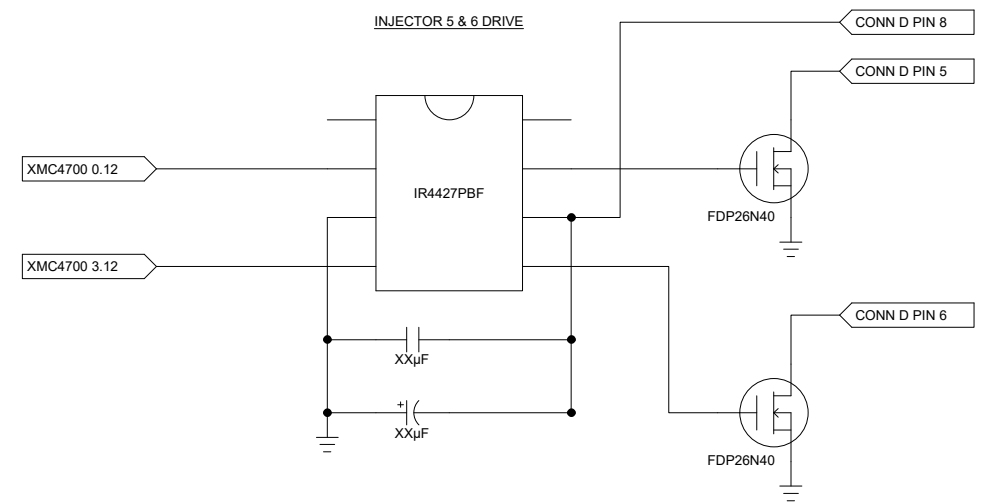
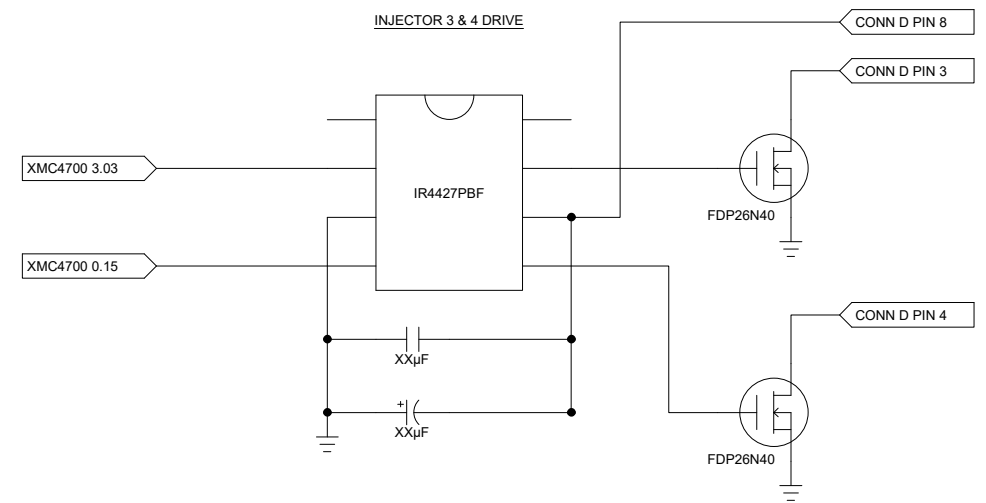
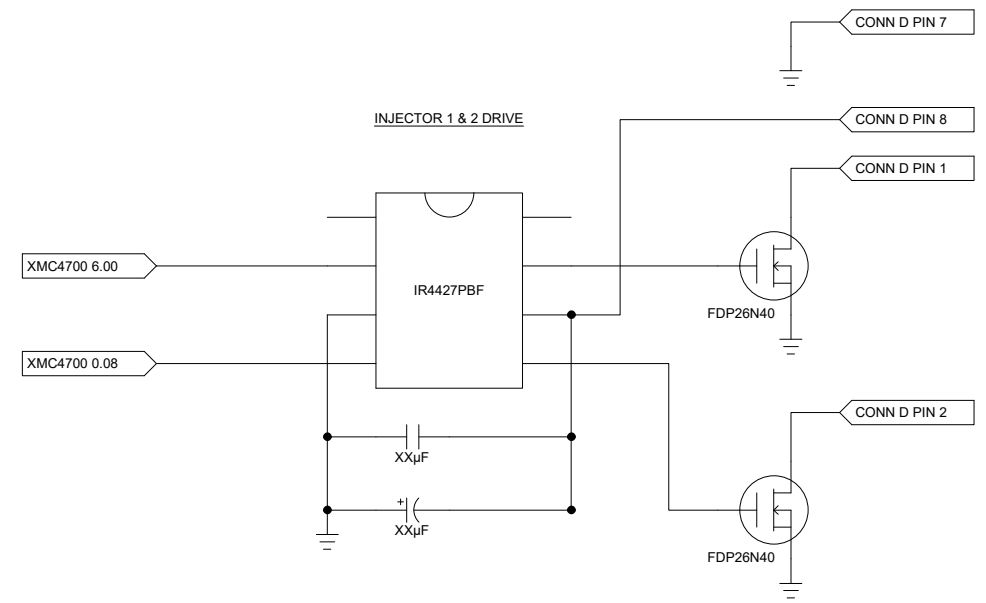
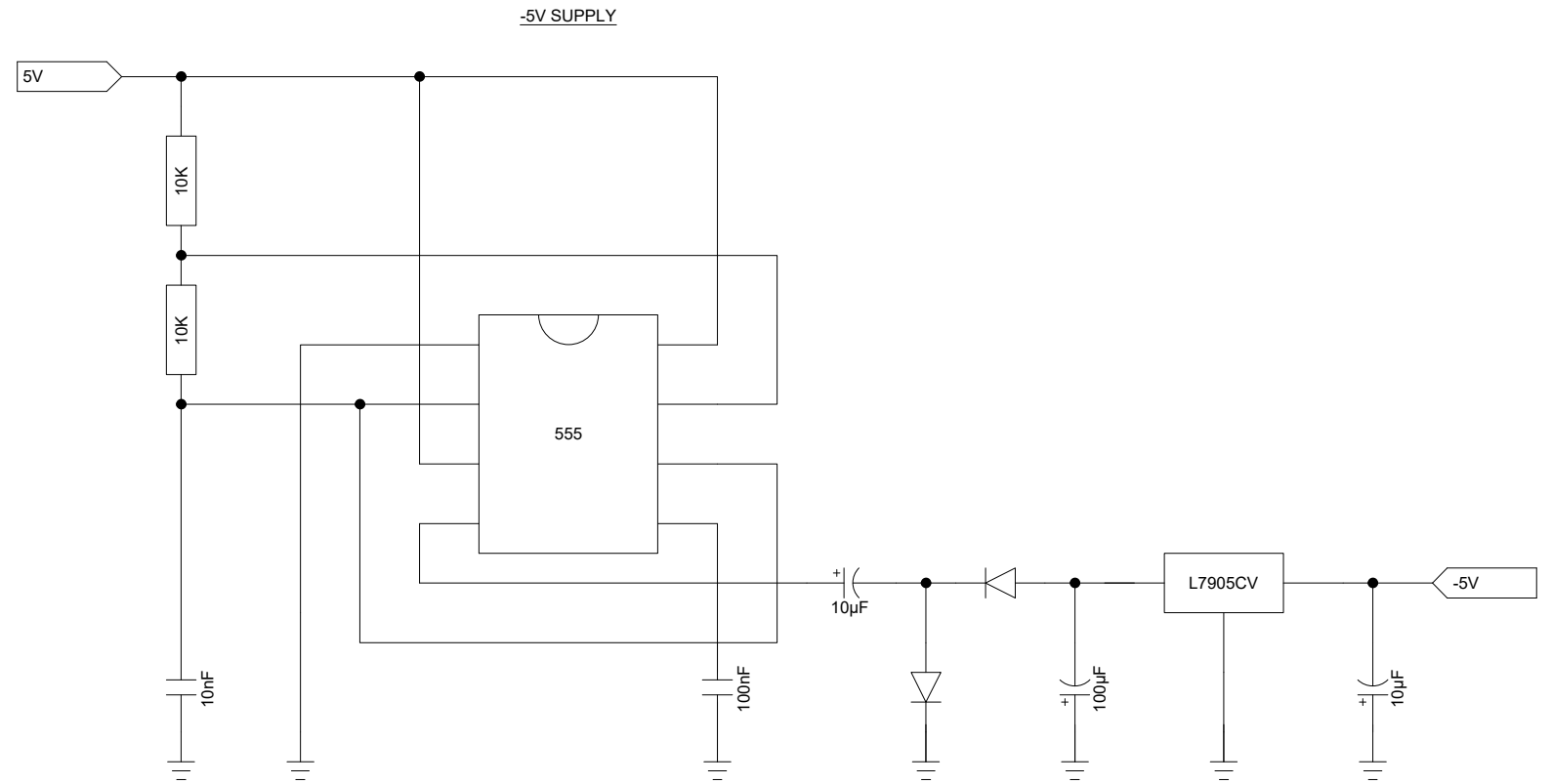
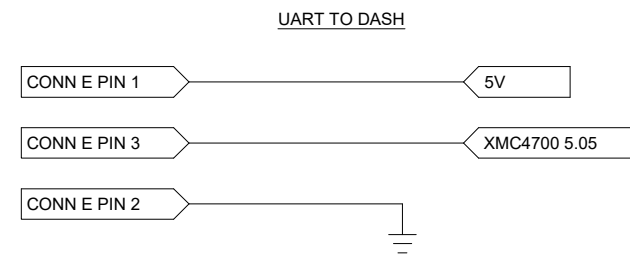
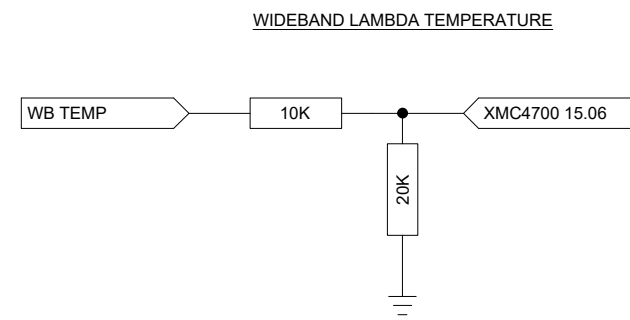
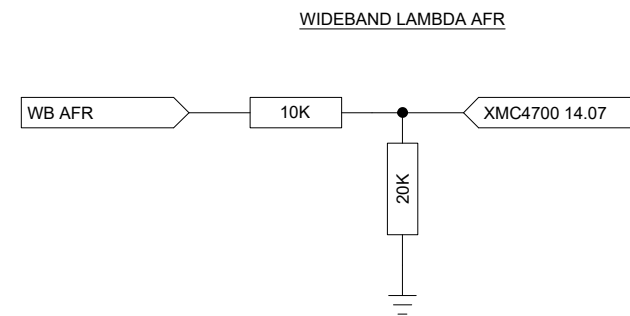
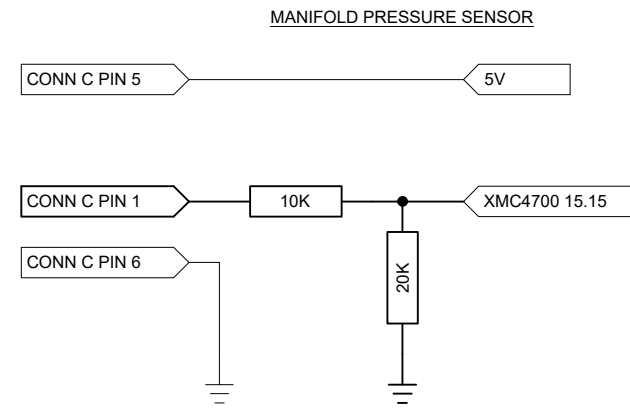


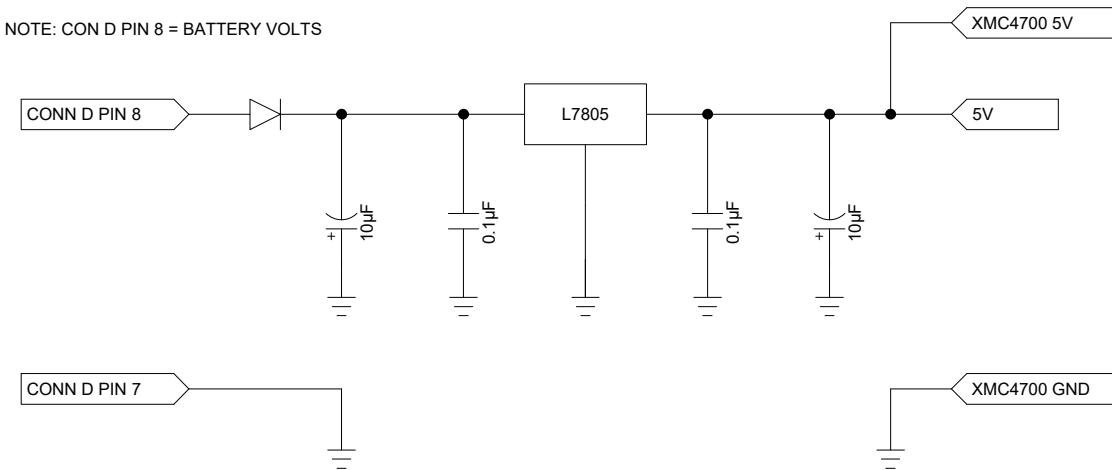
NOTE: CON D PIN 8 = BATTERY VOLTS



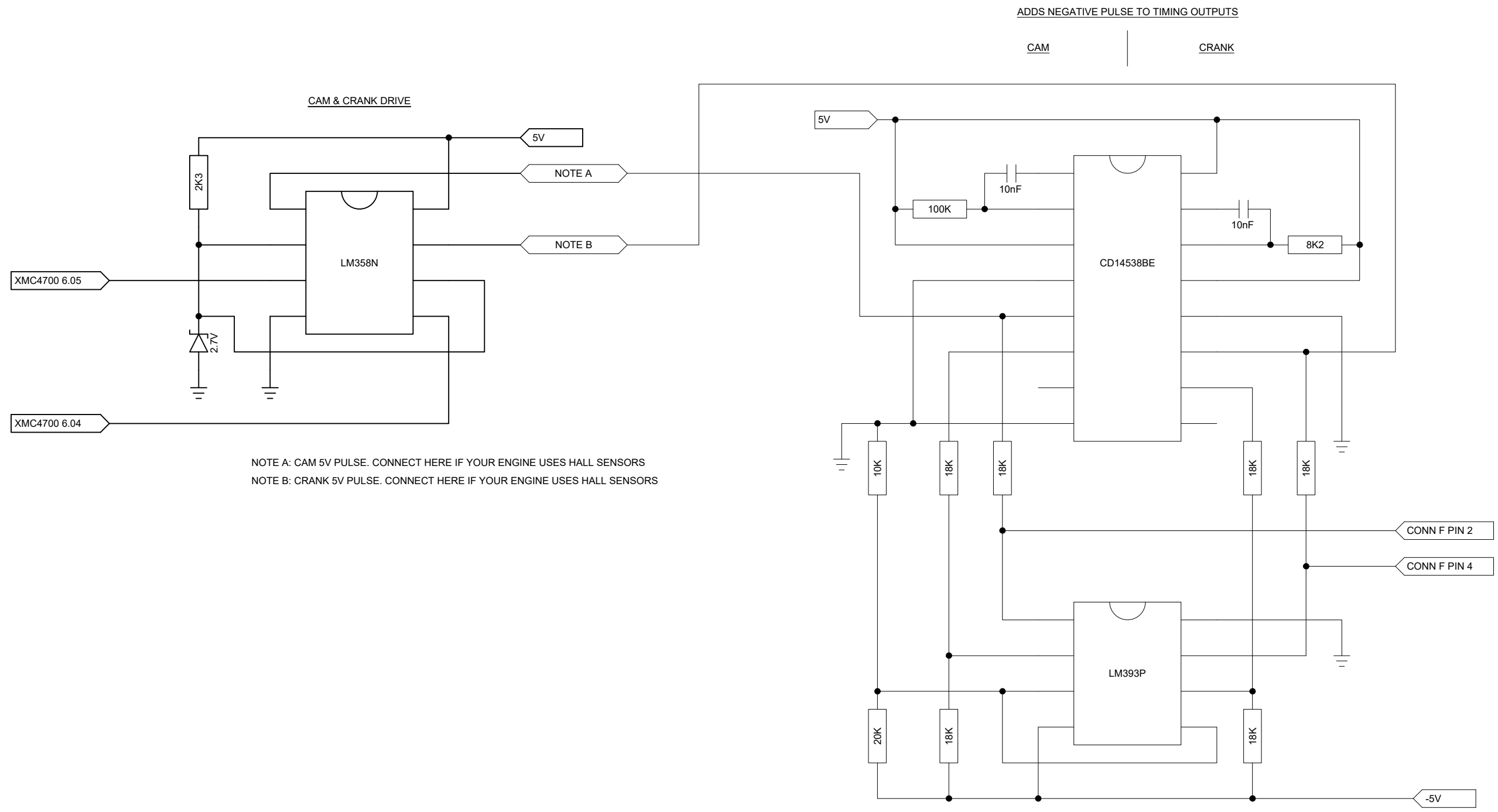
PIGGYBACK ECU INJ SENSE & DRIVE	Issue	Date	Detail	SIG	Drawn	RT
	01	21/11/17	For Approval	RT		
					Checked	RT
					Date	21/11/17
Client - ME!!			Project - TURBO LEXUS			



NOTE: CON D PIN 8 = BATTERY VOLTS

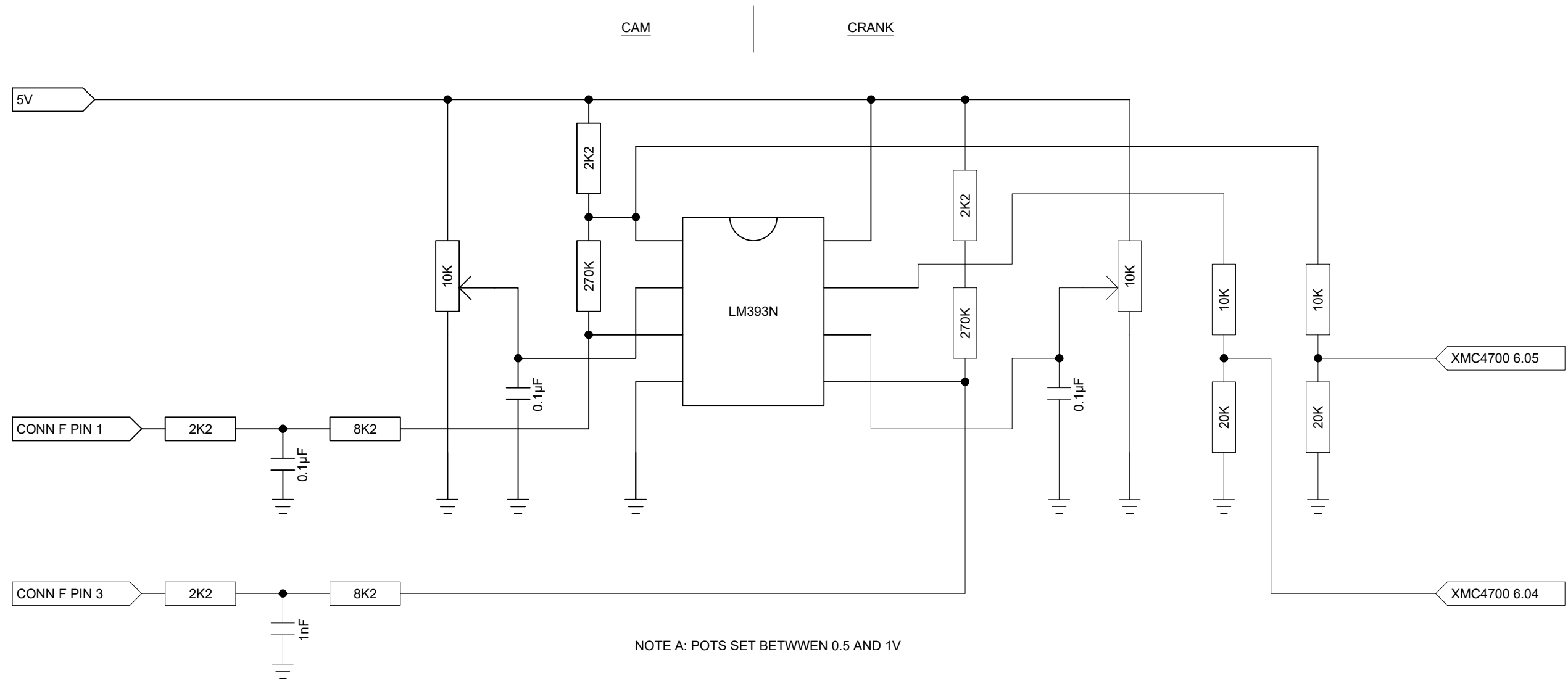


Title PIGGYBACK ECU PSU, AI'S AND MISC	Issue	Date	Detail	SIG	Drawn	RT
	01	21/11/17	For Approval	RT	Checked	RT
					Date	21/11/17
	Client - ME!!			Project - TURBO LEXUS		



PIGGYBACK ECU CAM & CRANK DRIVE	Issue	Date	Detail	SIG	Drawn	RT
	01	21/11/17	For Approval	RT	Checked	RT
					Date	21/11/17
	Client - ME!!			Project - TURBO LEXUS		

CAM & CRANK SENSE



NOTE A: POTS SET BETWEEN 0.5 AND 1V

Title PIGGYBACK ECU CAM & CRANK SENSE	Issue	Date	Detail	SIG	Drawn	RT
	01	21/11/17	For Approval	RT	Checked	RT
					Date	21/11/17
	Client - ME!!			Project - TURBO LEXUS		