

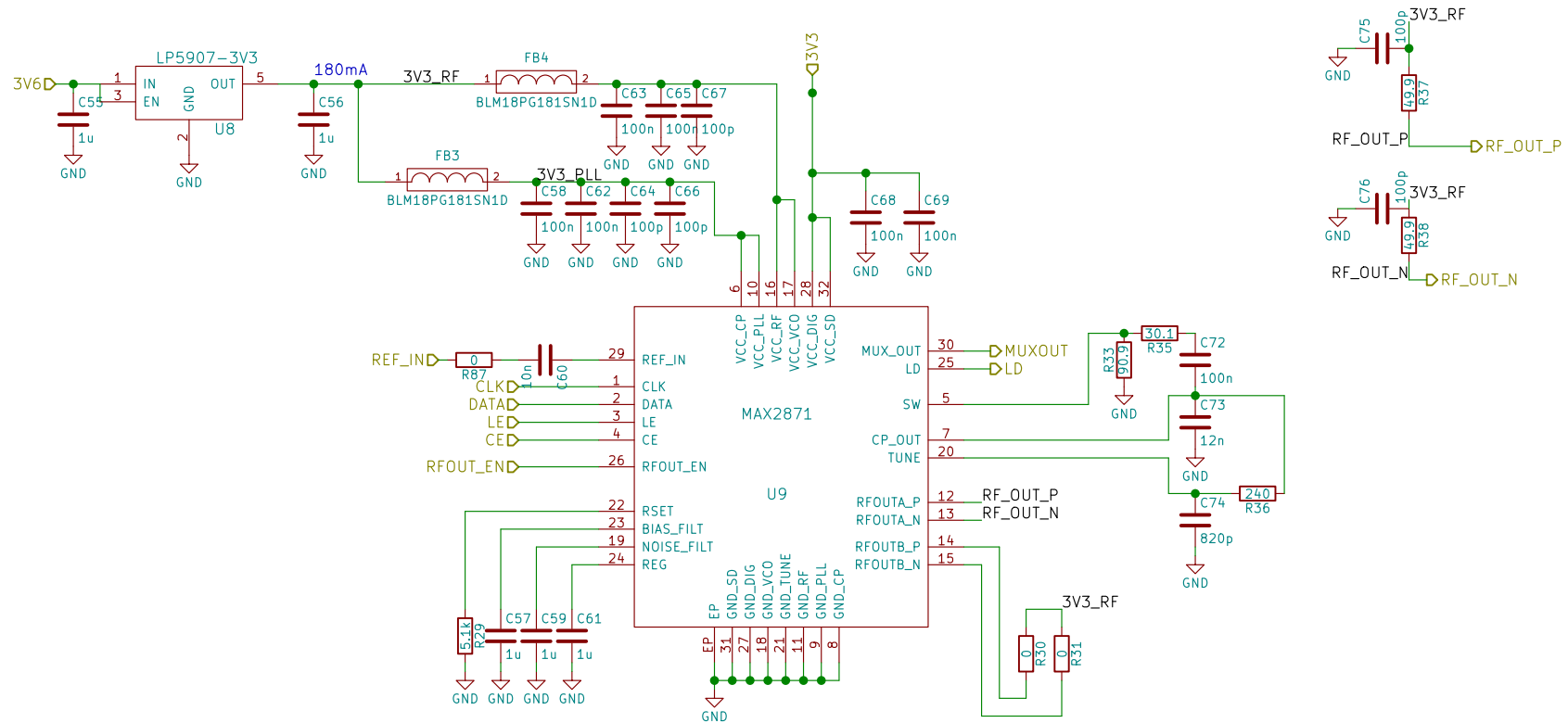
30 - 6000 MHz Transmitter

Sheet: /
 File: Transmitter.sch

Title: RF Transmitter

Size: A4 Date:
 KiCad E.D.A. kicad 4.0.4-stable

Rev: 01
 Id: 1/6



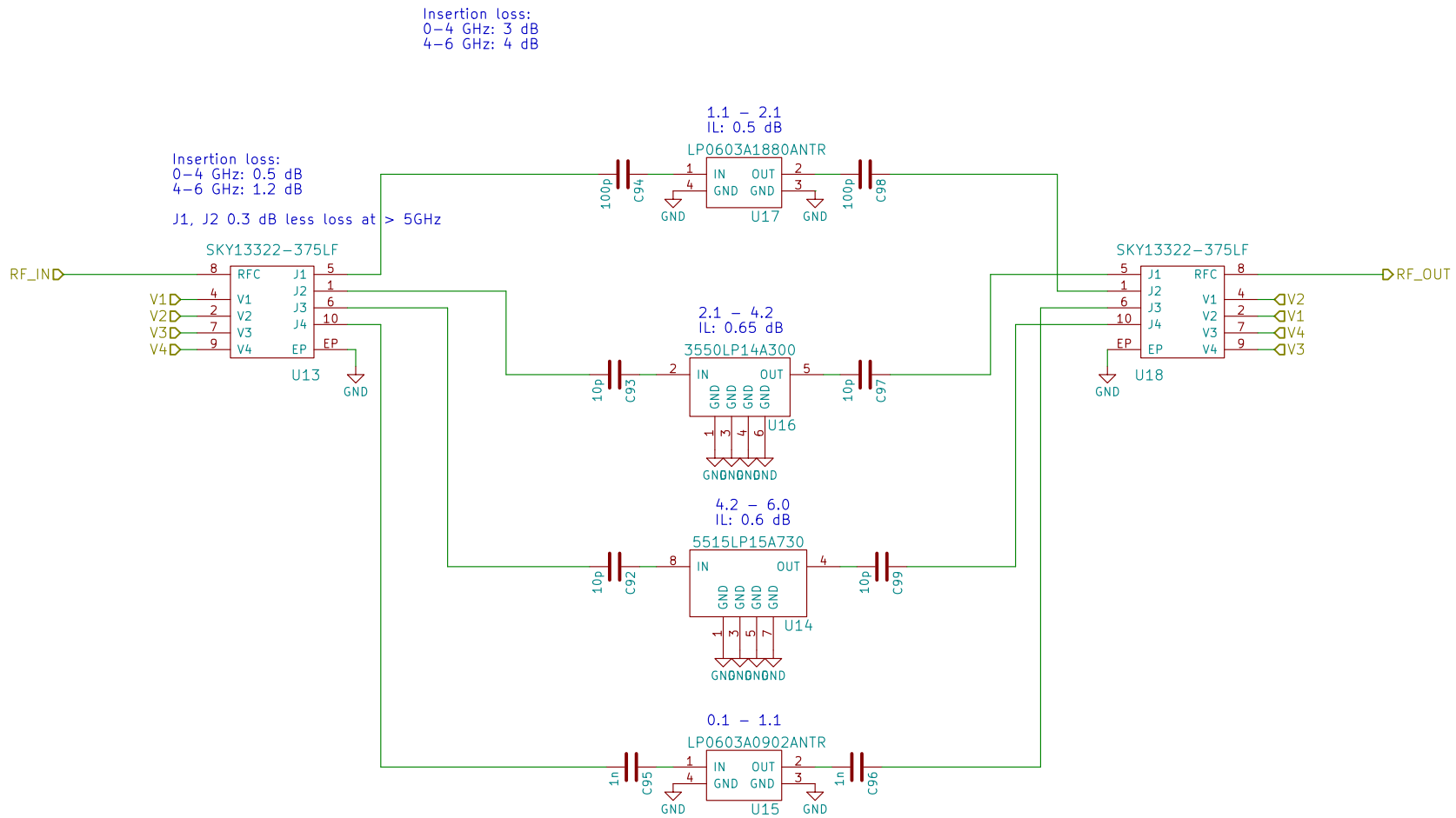
20MHz - 6 GHz synthesizer

Sheet: /VCO/
File: VCO.sch

Title: RF Transmitter

Size: A4 | Date: 2016-07-27
KiCad E.D.A. kicad 4.0.4-stable

Rev: 01
Id: 2/6



Switches between the LP filter banks 0.1 - 6 GHz

Sheet: /Filter Bank/
File: filter_bank.sch

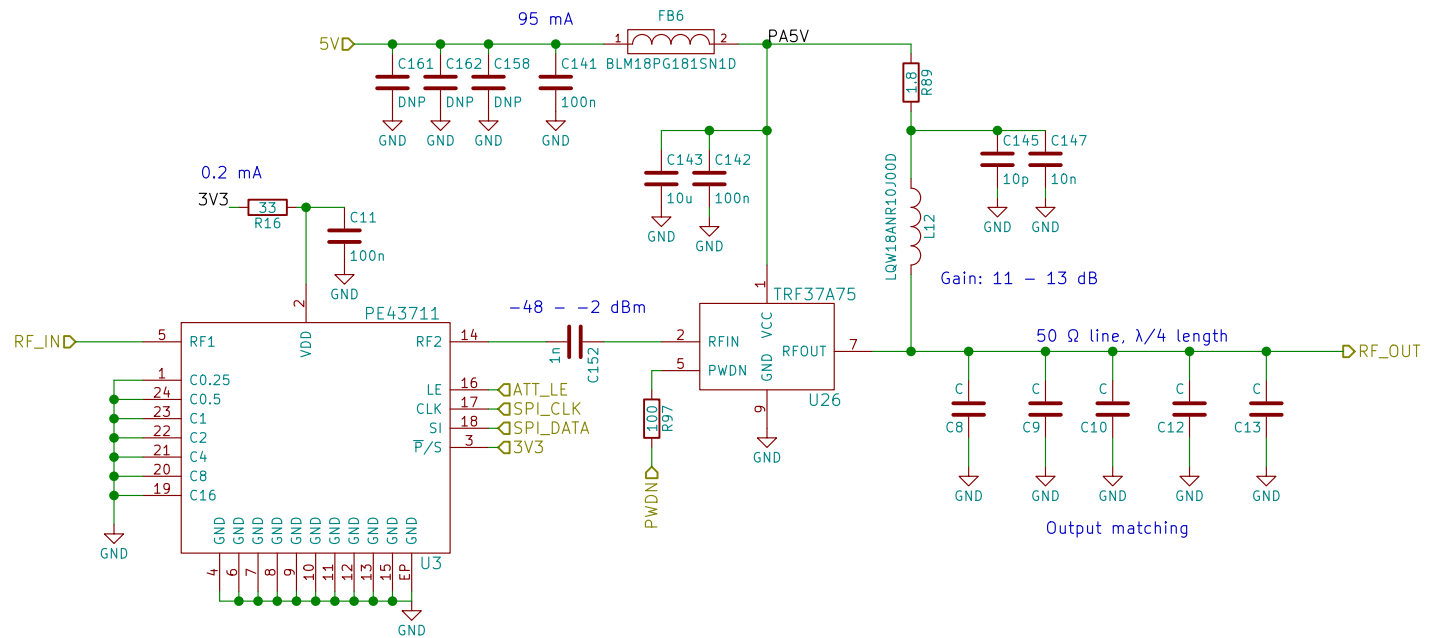
Title: RF Transmitter

Size: A4 Date: 2016-07-27

KiCad E.D.A. kicad 4.0.4-stable

Rev: 01

Id: 3/6



Programable Attenuator and 12 dB amplifier

Sheet: /Power Amplifier/
File: tx_amp.sch

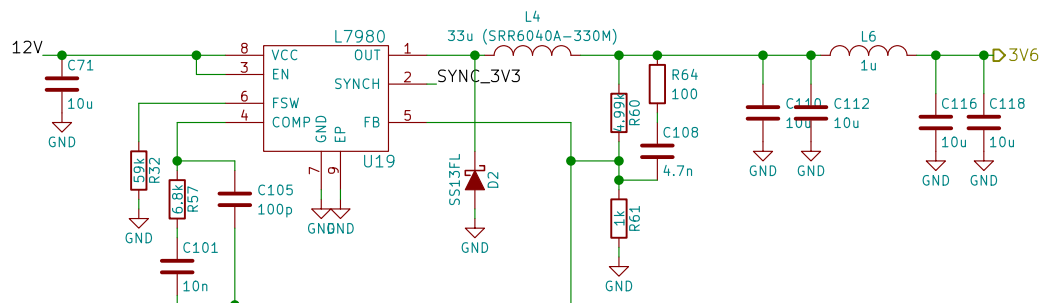
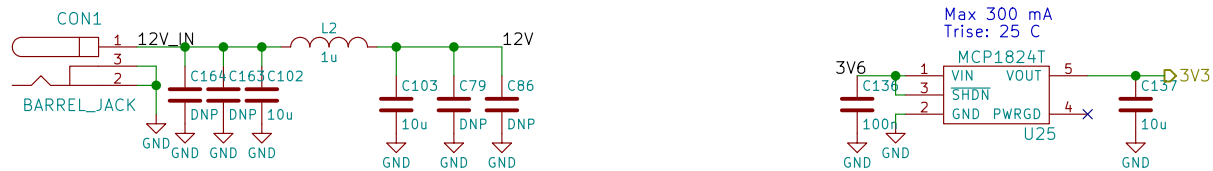
Title: RF Transmitter

Size: A4 Date: 2016-07-27

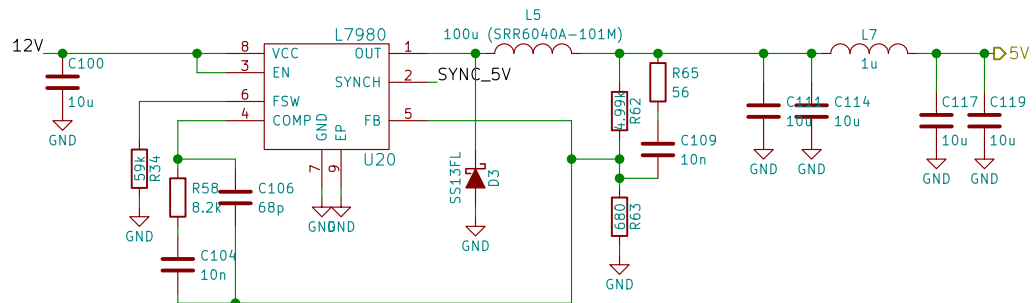
KiCad E.D.A. kicad 4.0.4-stable

Rev: 01

Id: 4/6



Type III compensation network
used when output cap has low
ESR (ceramic) (p. 20)



Type III compensation network
used when output cap has low
ESR (ceramic) (p. 20)

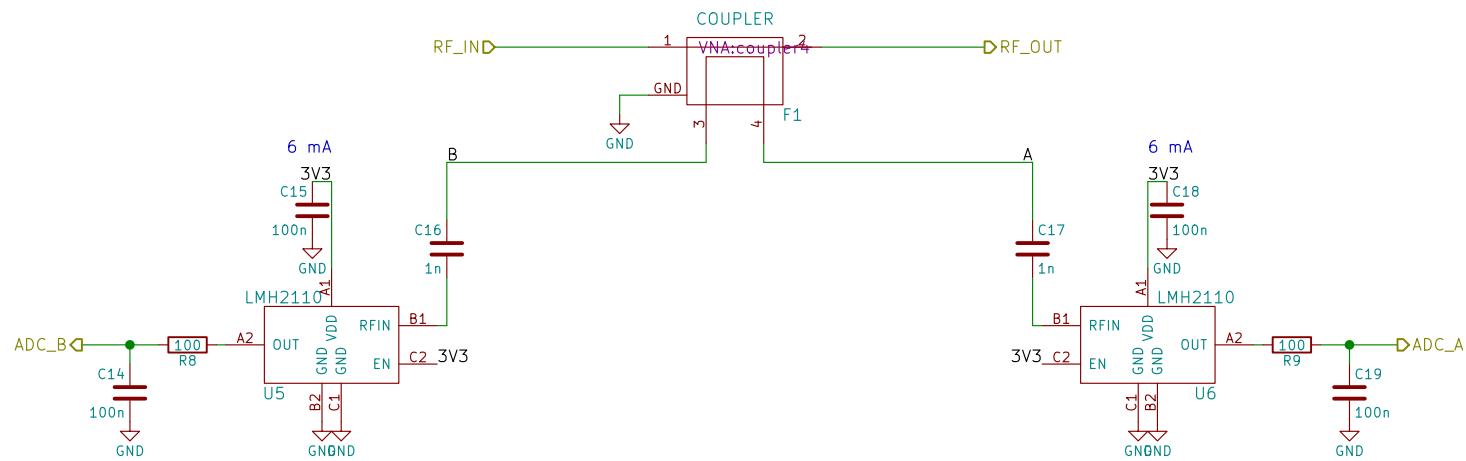
Power supply bank

Sheet: /Power Supply/
File: power.sch

Title: RF Transmitter

Size: A4 Date: 2016-07-27
KiCad E.D.A. kicad 4.0.4-stable

Rev: 01
Id: 5/6



Directional coupler and power detectors

Sheet: /RF Detectors/
File: Detectors.sch

Title: RF Transmitter

Size: A4 Date:
KiCad E.D.A. kicad 4.0.4-stable

Rev: 01
Id: 6/6