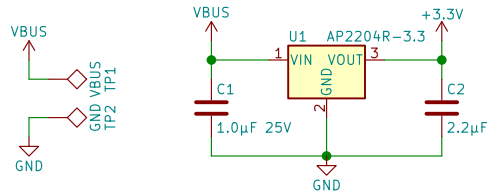


Sheet: /	
File: pd-buddy-sink.sch	
Title: PD Buddy Sink	
Size: USLetter	Date:
KiCad E.D.A. kicad 4.0.7	Rev: 1.0
	Id: 1/6

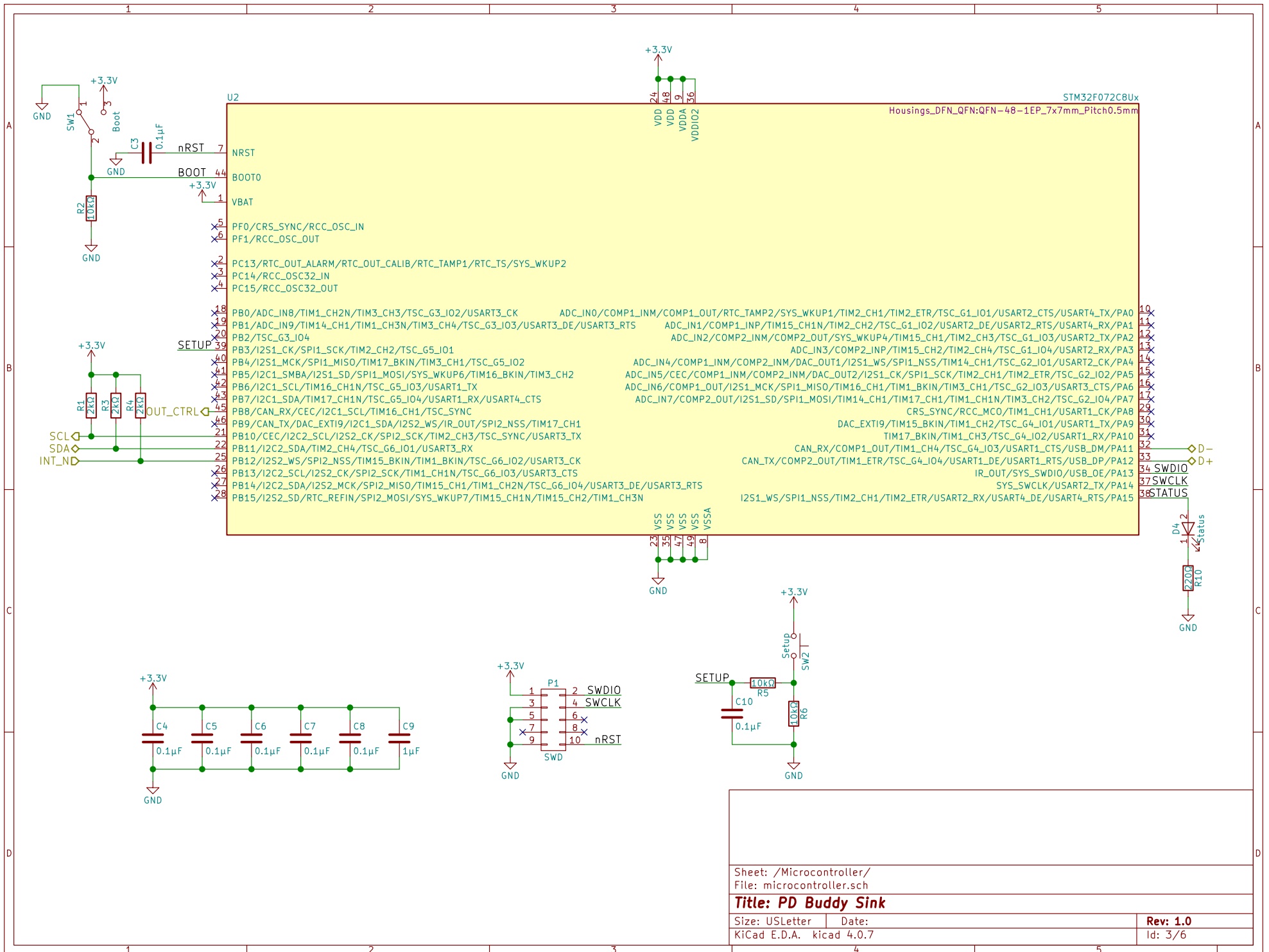


Sheet: /Voltage Regulator/
File: voltage_regulator.sch

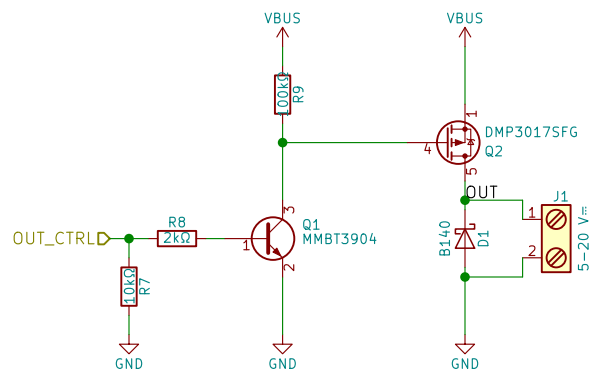
Title: PD Buddy Sink

Size: USLetter Date:
KiCad E.D.A. kicad 4.0.7

Rev: 1.0
Id: 2/6



Sheet: /Microcontroller/	
File: microcontroller.sch	
Title: PD Buddy Sink	
Size: USLetter	Date:
KiCad E.D.A.	kicad 4.0.7
Rev: 1.0	
Id: 3/6	

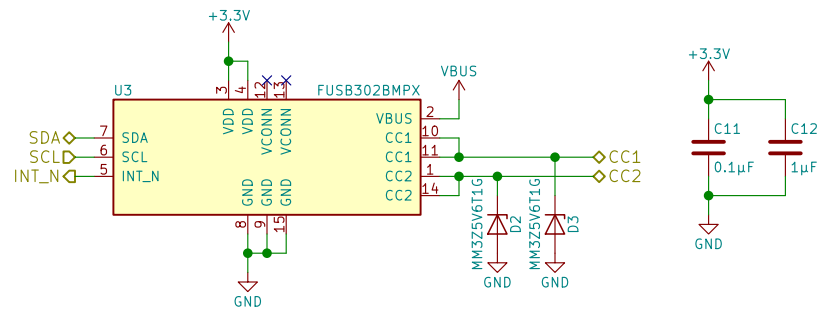


Sheet: /Output/
 File: output.sch

Title: PD Buddy Sink

Size: USLetter Date:
 KiCad E.D.A. kicad 4.0.7

Rev: 1.0
 Id: 4/6



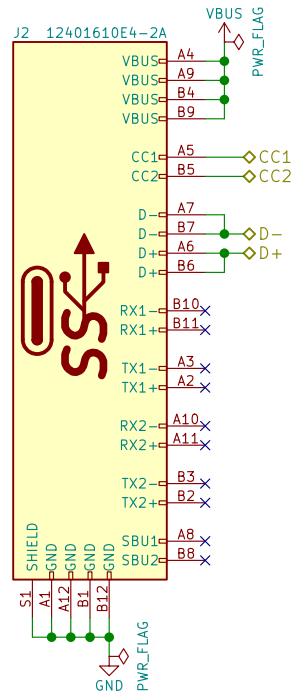
Based on AN-6102 (<https://www.fairchildsemi.com/application-notes/AN/AN-6102.pdf>)

Sheet: /PD PHY/
File: pd_phy.sch

Title: PD Buddy Sink

Size: USLetter Date:
KiCad E.D.A. kicad 4.0.7

Rev: 1.0
Id: 5/6



Sheet: /USB Type-C/
File: usb_type-c.sch

Title: PD Buddy Sink

Size: USLetter Date:
KiCad E.D.A. kicad 4.0.7

Rev: 1.0
Id: 6/6