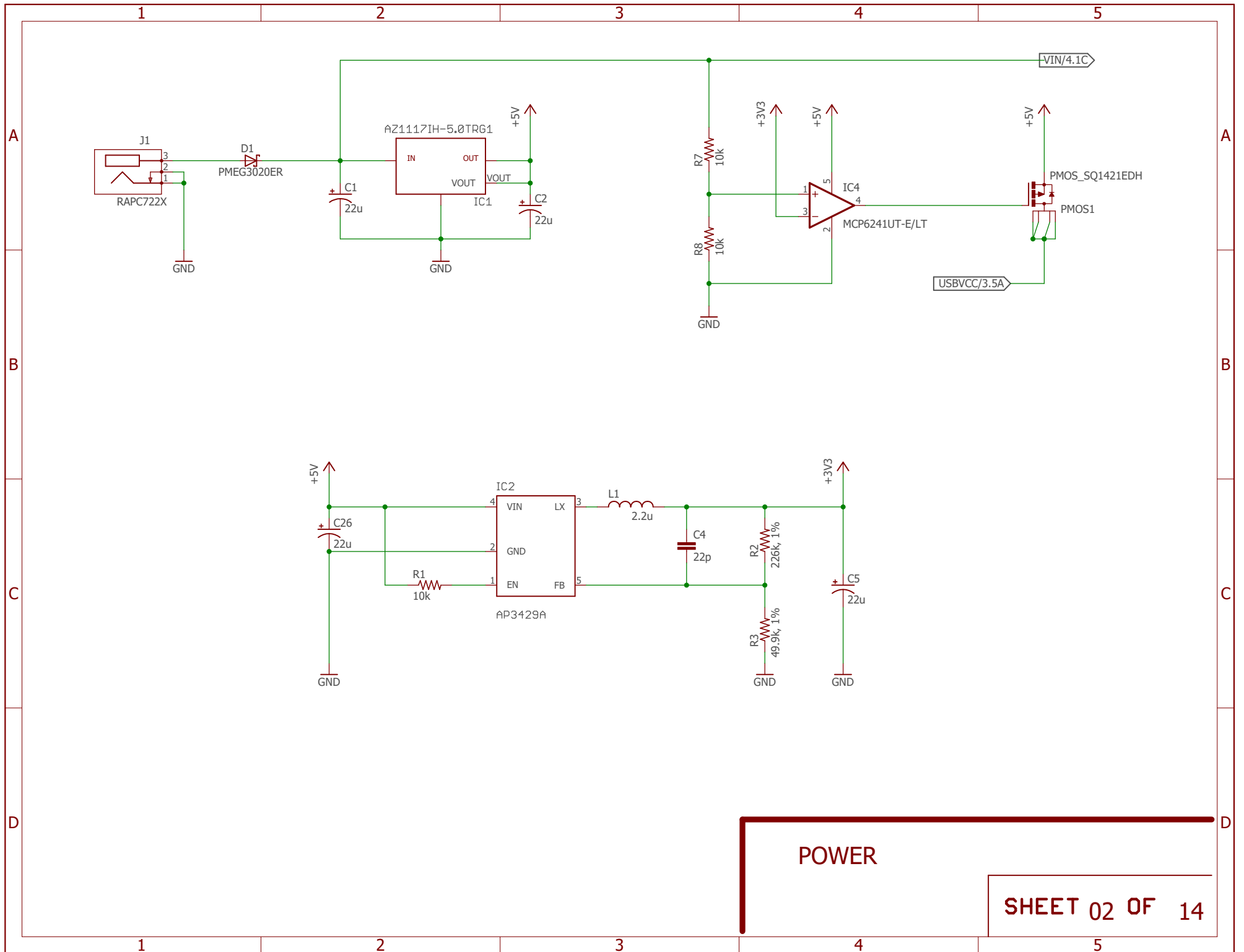


**PULSERAIN TECHNOLOGY, LLC**

**TITLE:** PULSERAIN -- M10

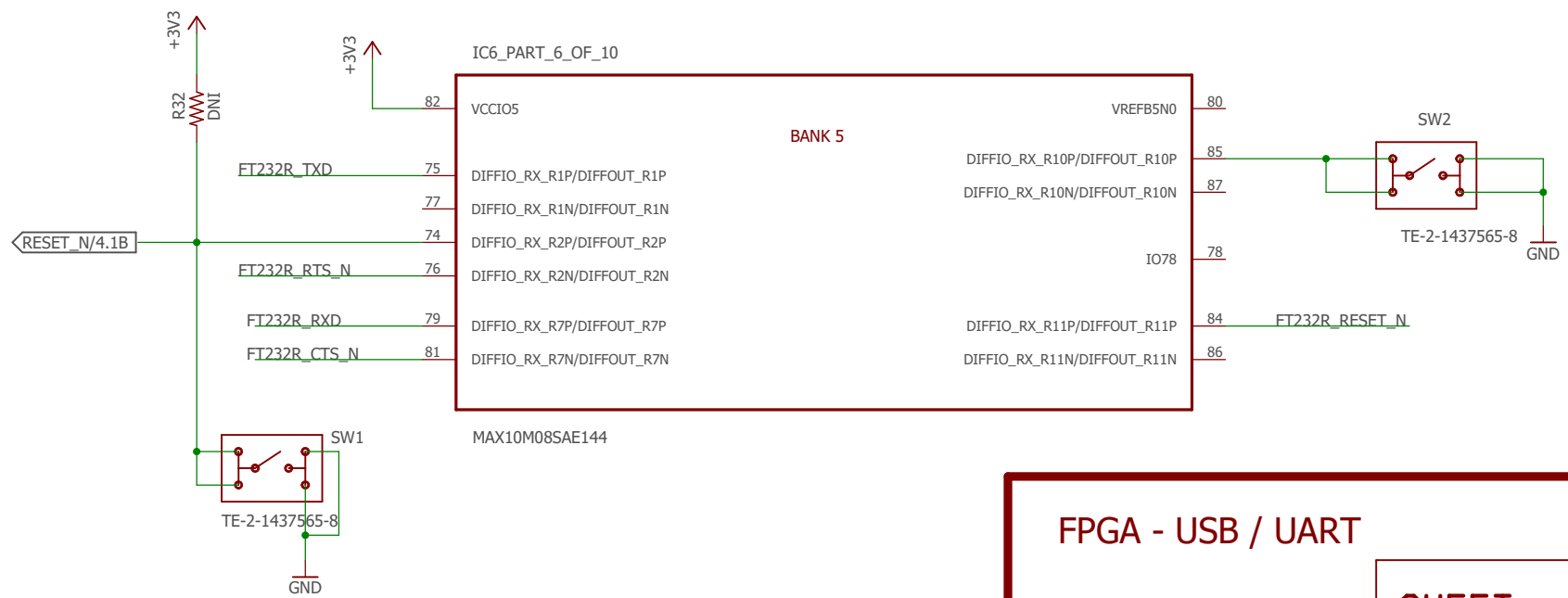
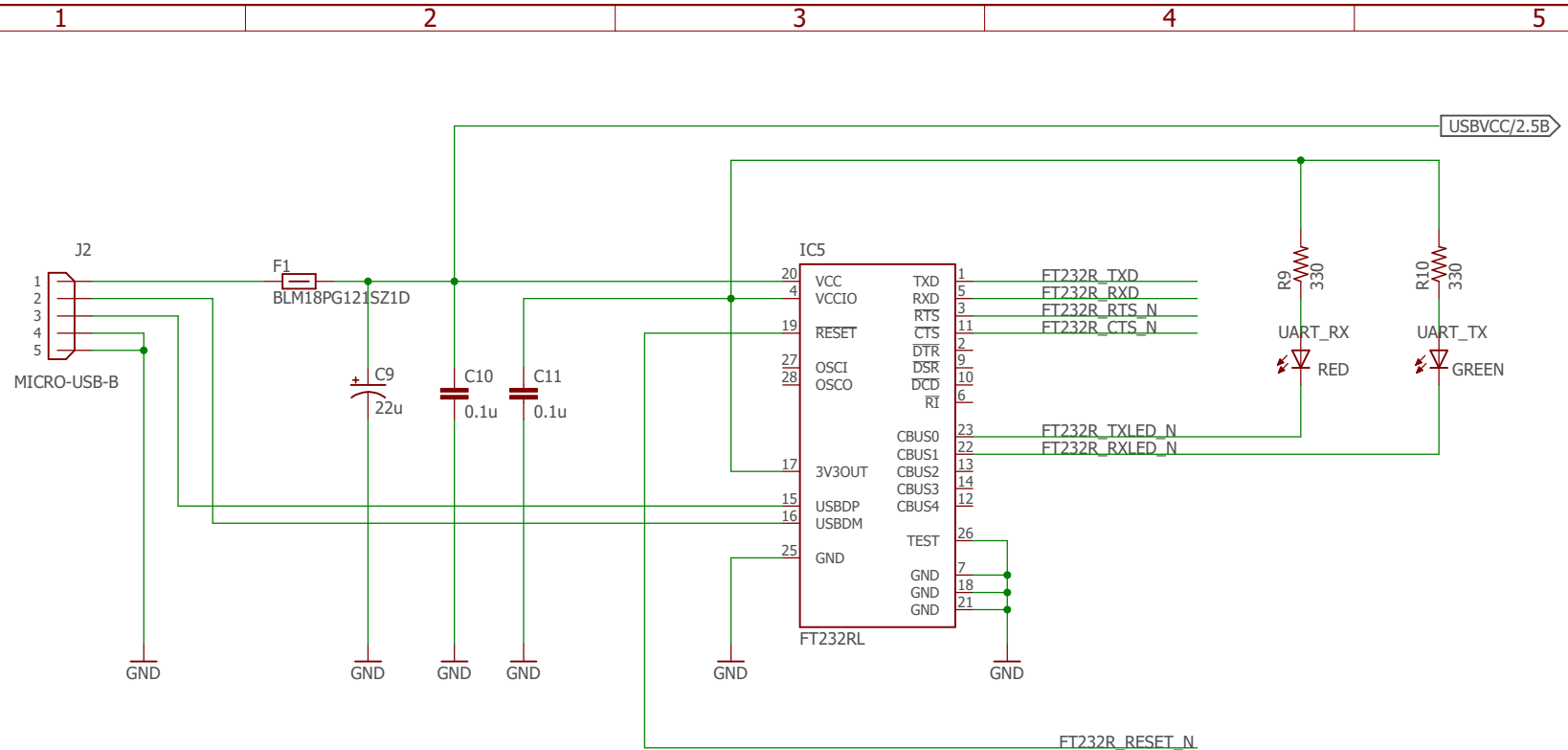
SIZE	DOC NUMBER	REVISION
A	SH-0922-0039	1.0

**DATE:** 02 / 2017      **SHEET 01 OF 14**



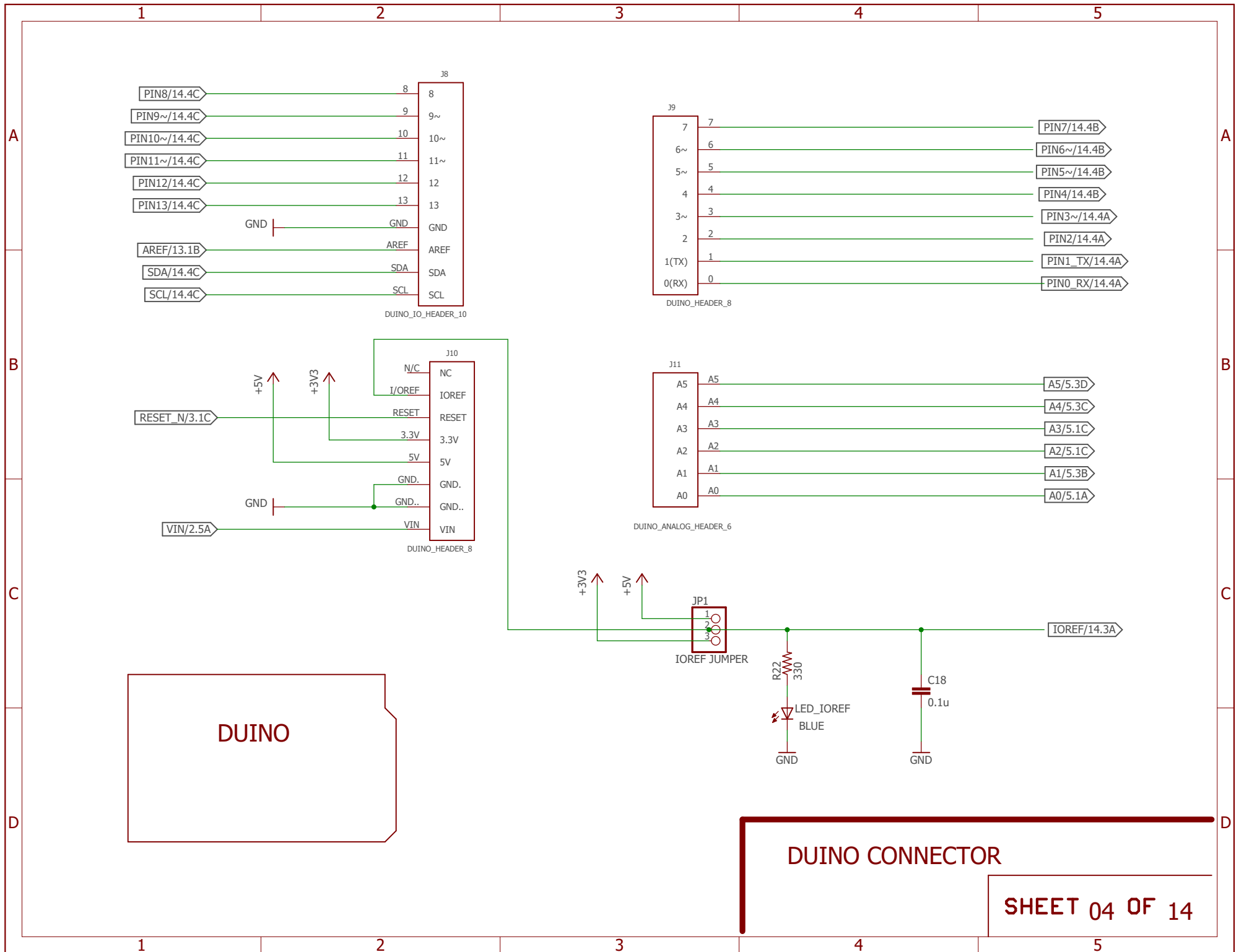
POWER

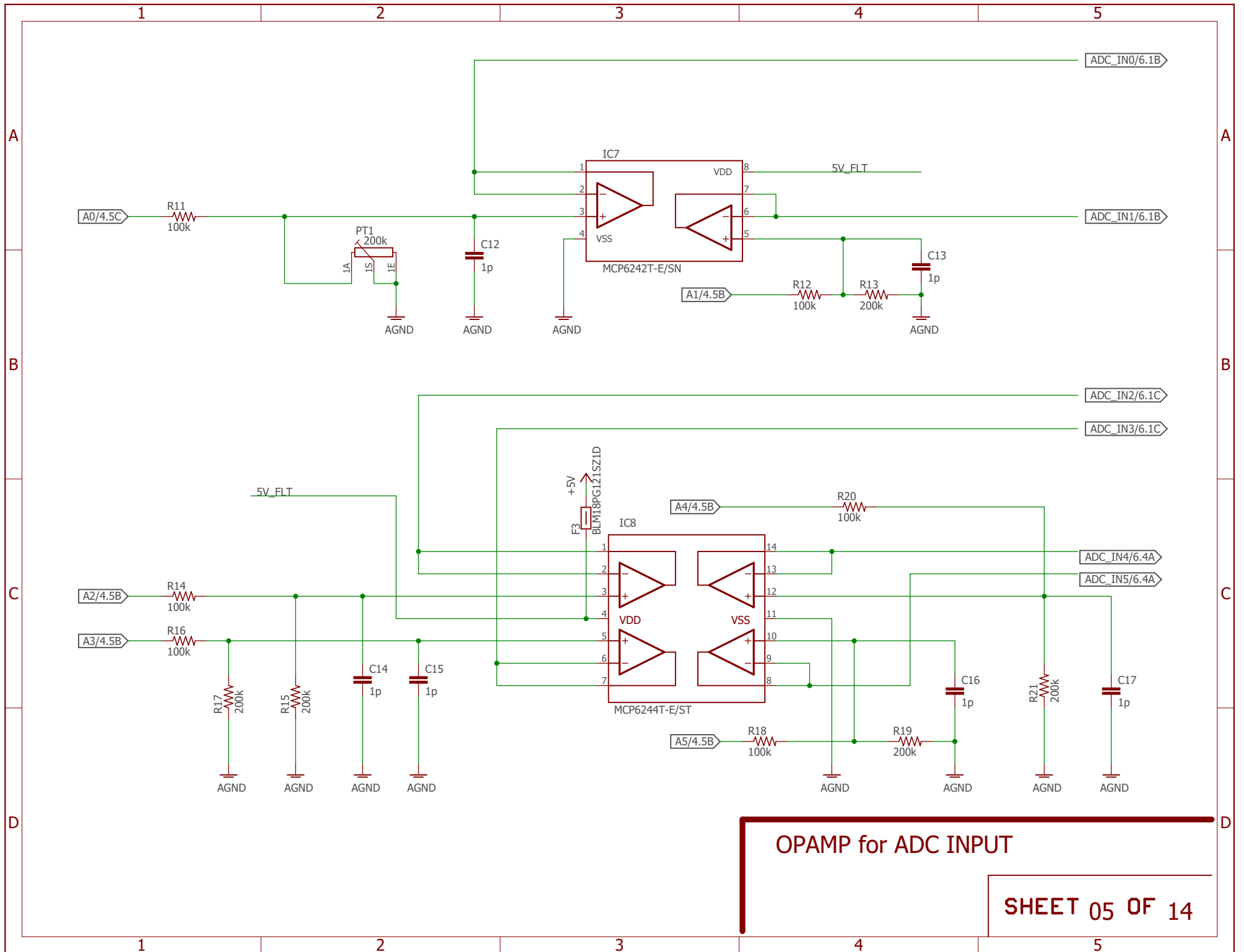
SHEET 02 OF 14



FPGA - USB / UART

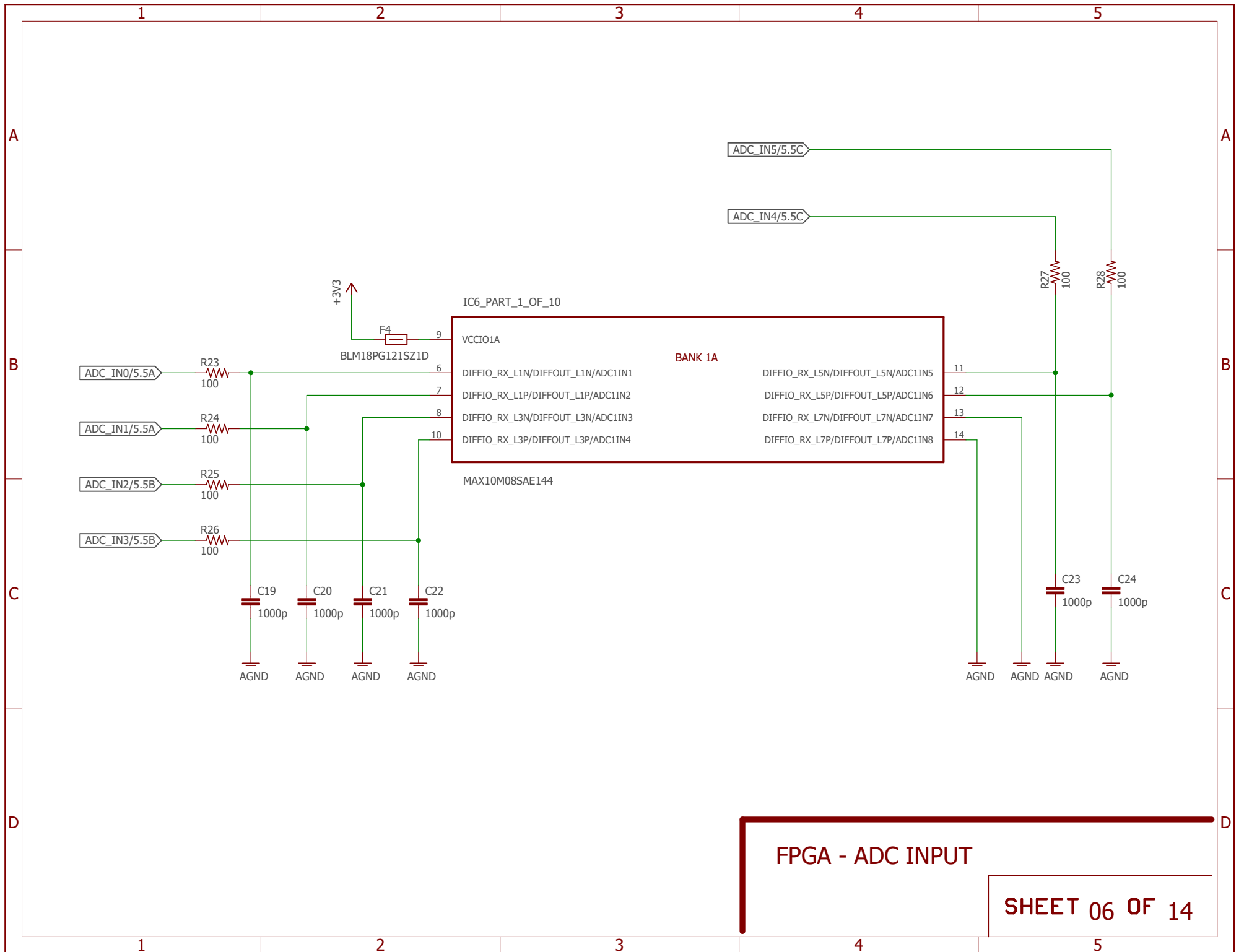
SHEET 03 OF 14





OPAMP for ADC INPUT

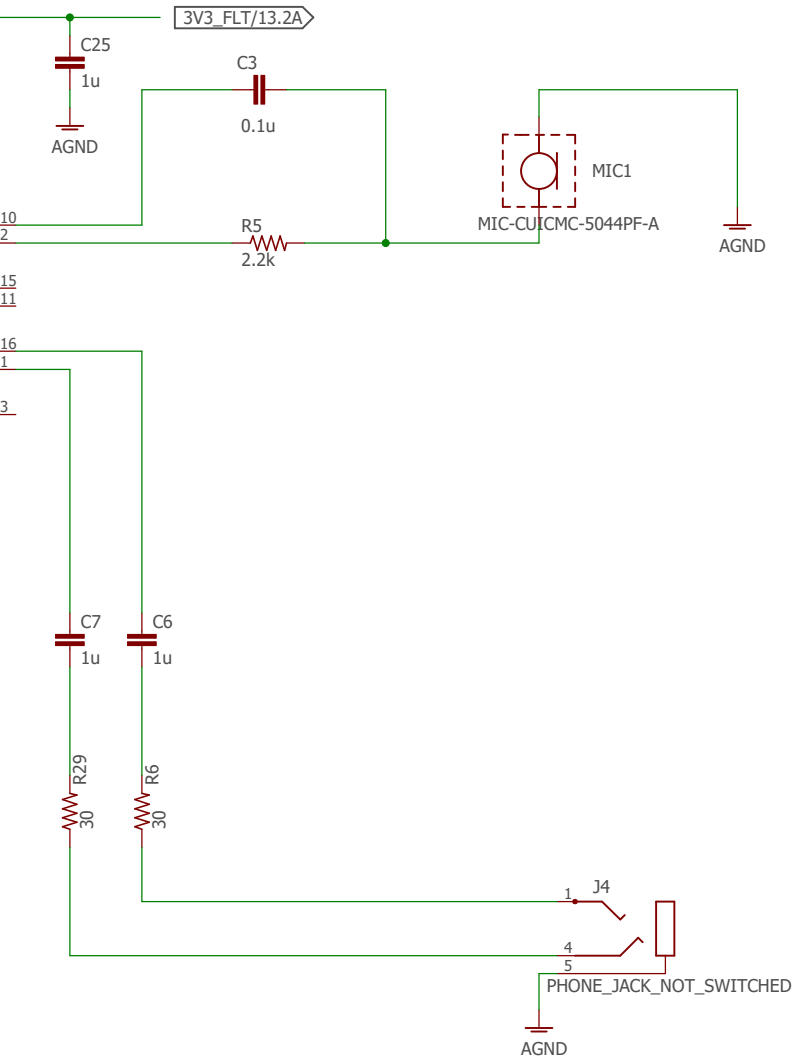
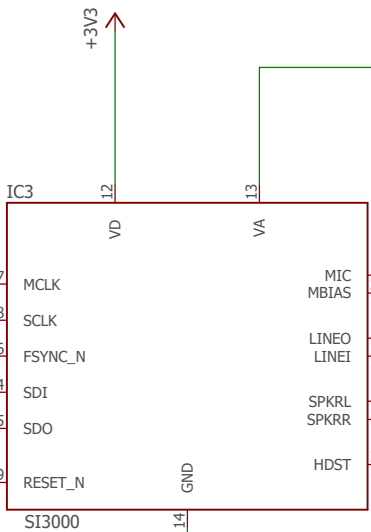
SHEET 05 OF 14



FPGA - ADC INPUT

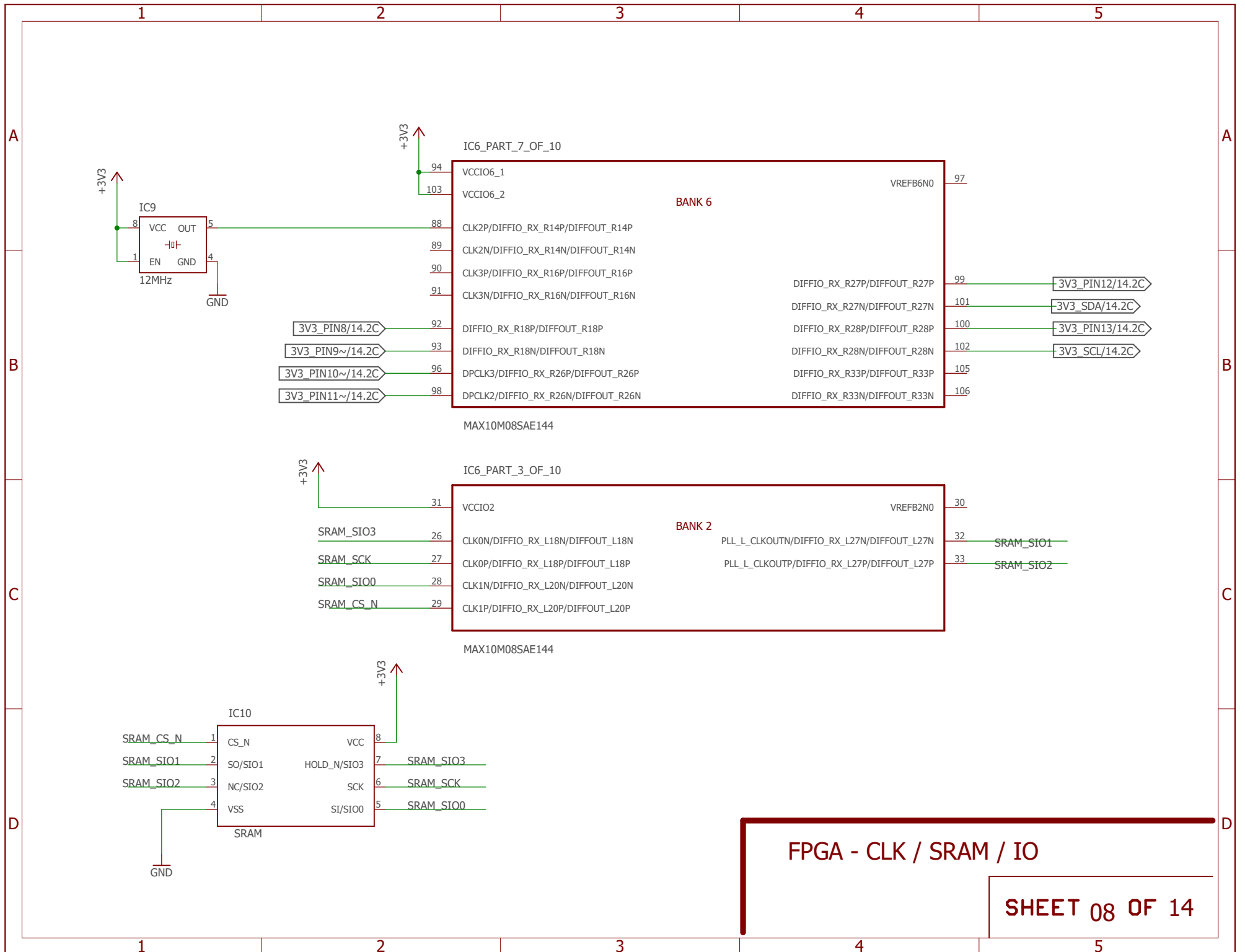
SHEET 06 OF 14

- <CODEC\_MCLK/9.1B
- <CODEC\_SCLK/9.1B
- <CODEC\_FSYNC\_N/9.1B
- <CODEC\_SDI/9.1B
- <CODEC\_SDO/9.1B
- <CODEC\_RESET\_N/9.1B

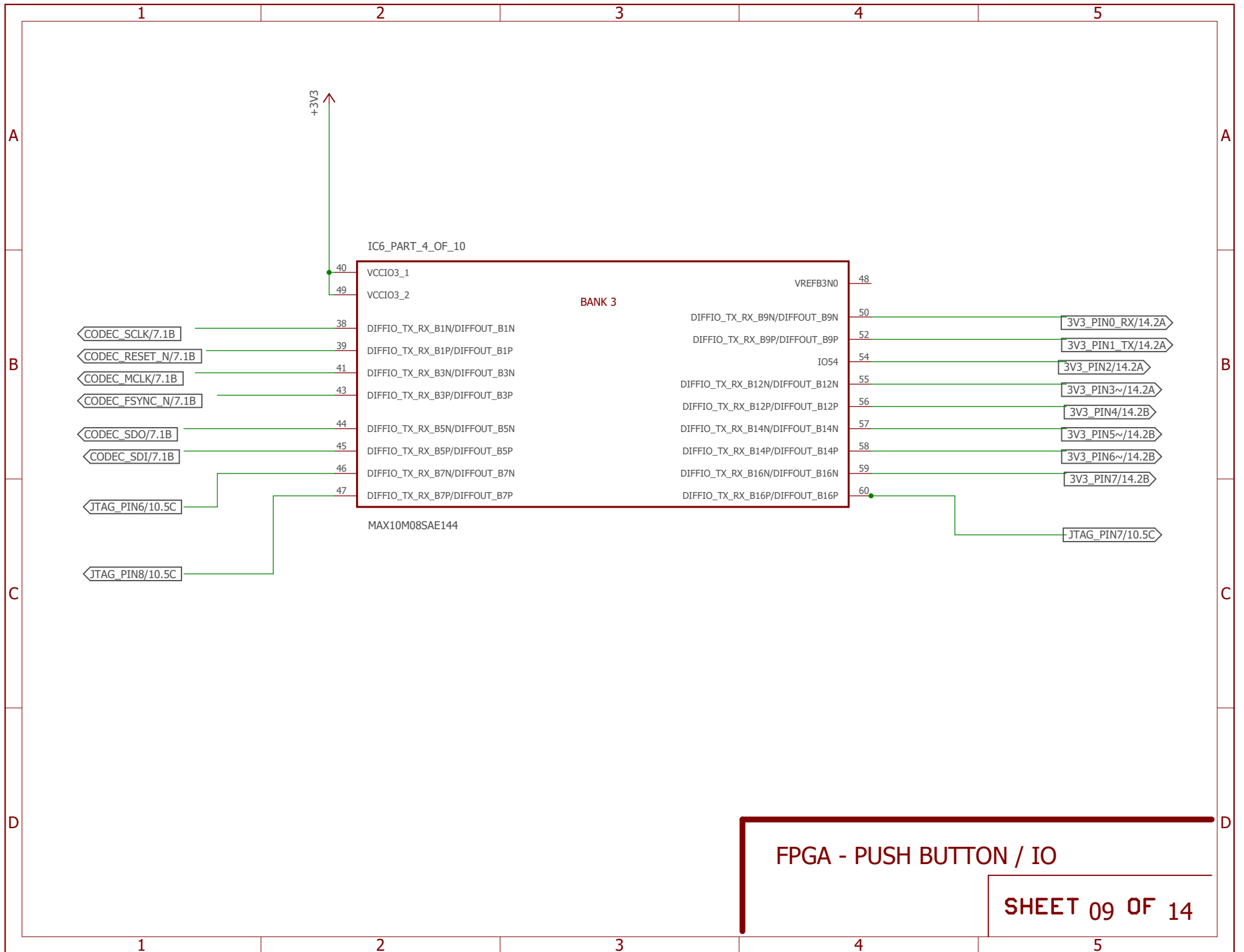


CODEC

SHEET 07 OF 14

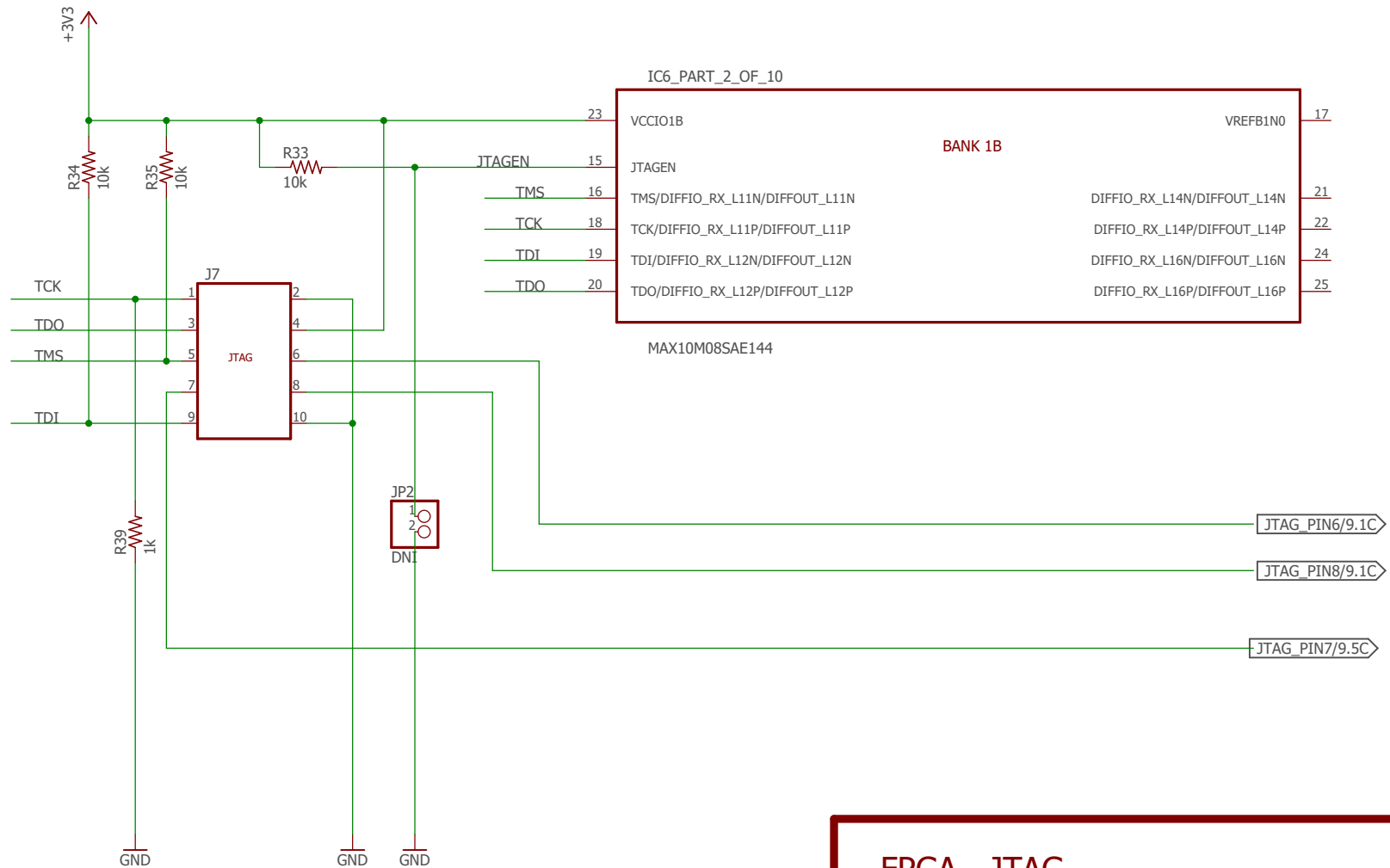






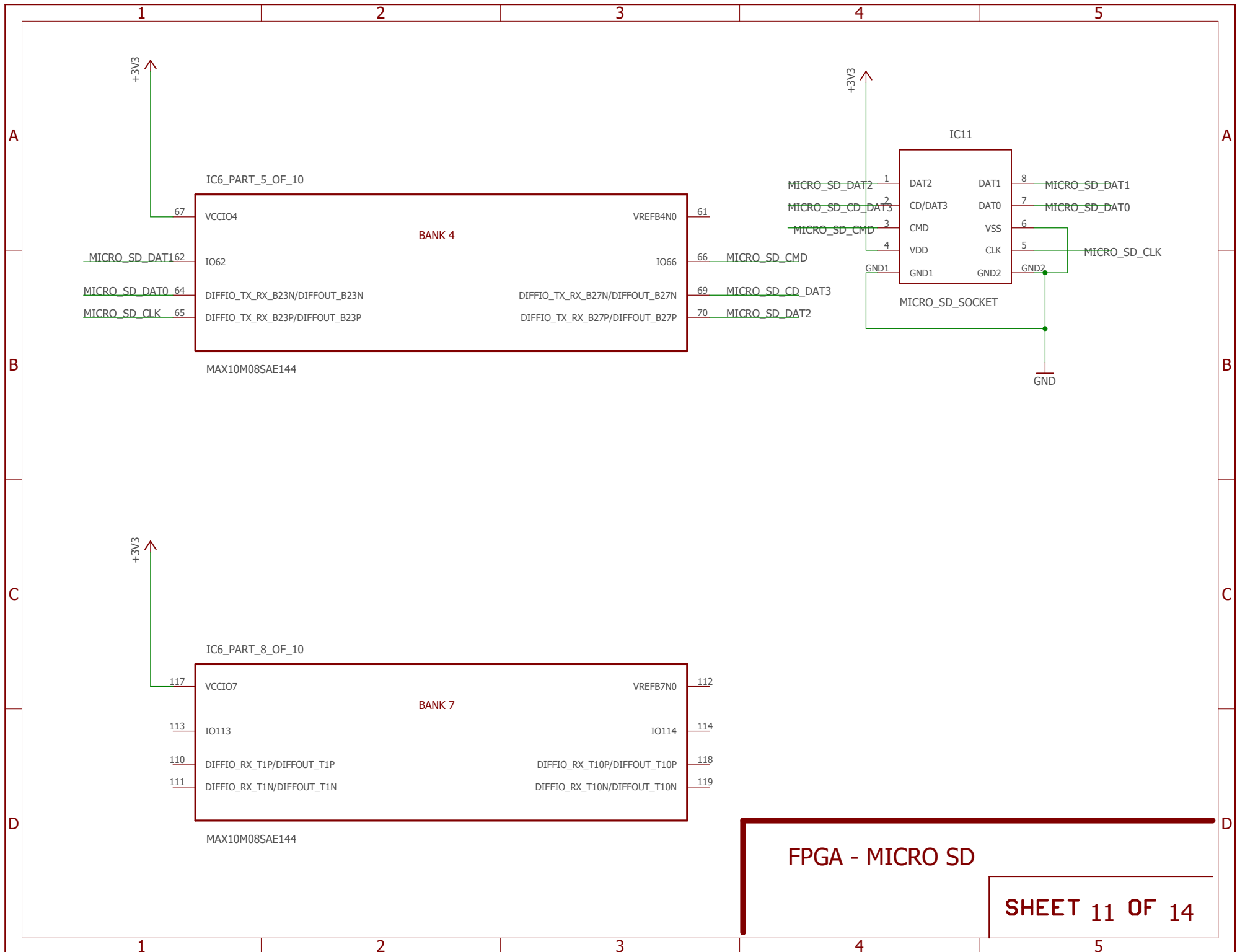
FPGA - PUSH BUTTON / IO

SHEET 09 OF 14



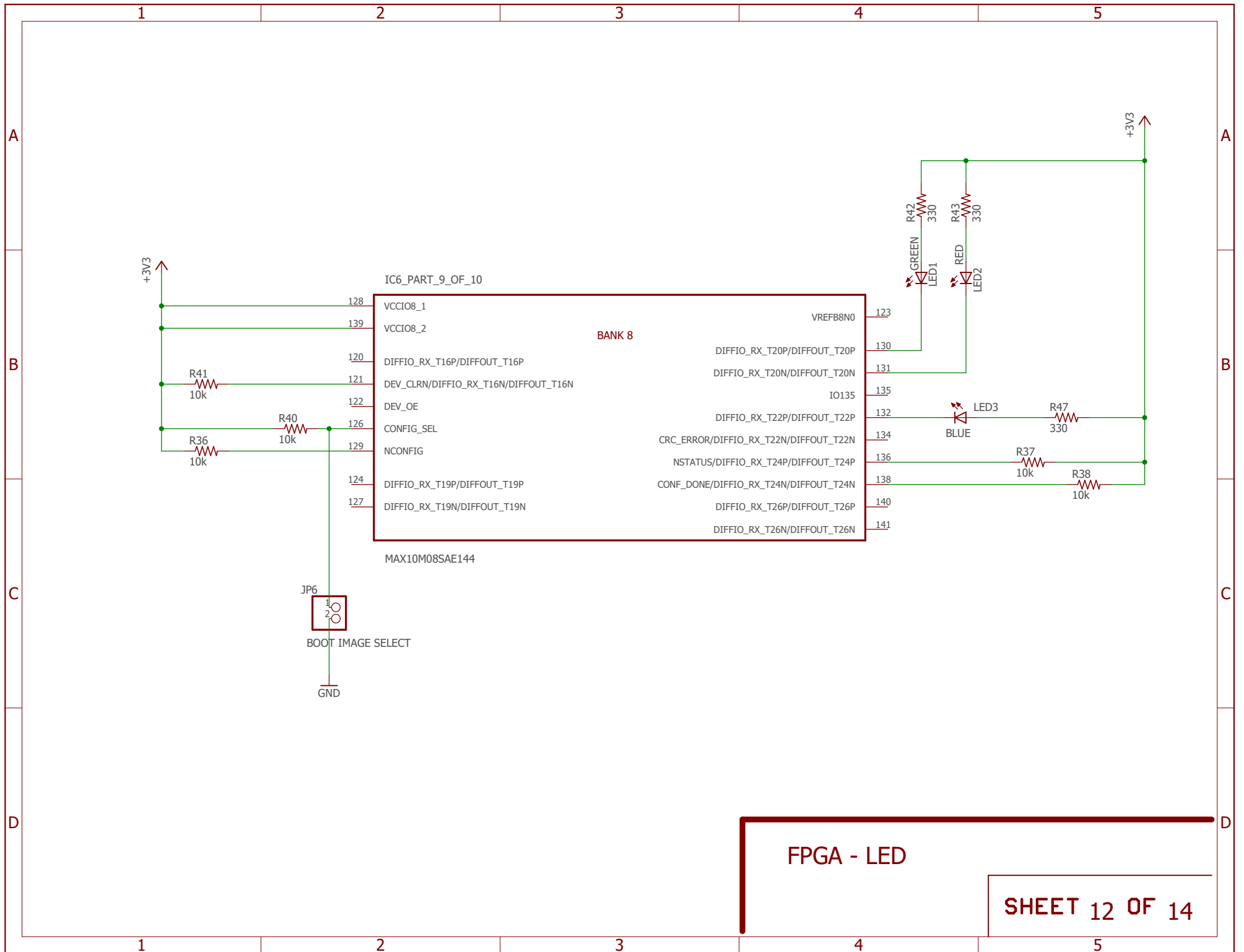
FPGA - JTAG

SHEET 10 OF 14



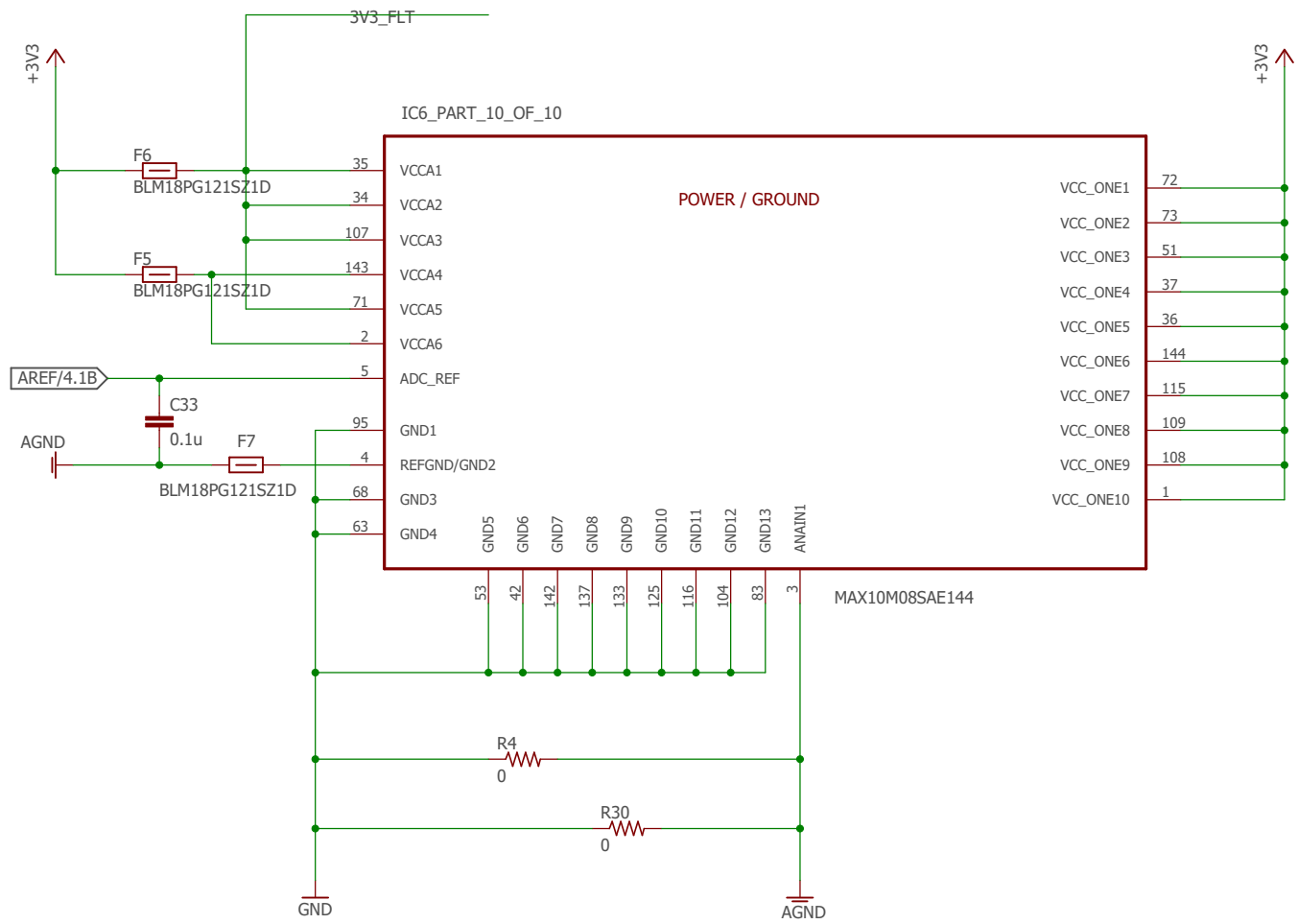
FPGA - MICRO SD

SHEET 11 OF 14



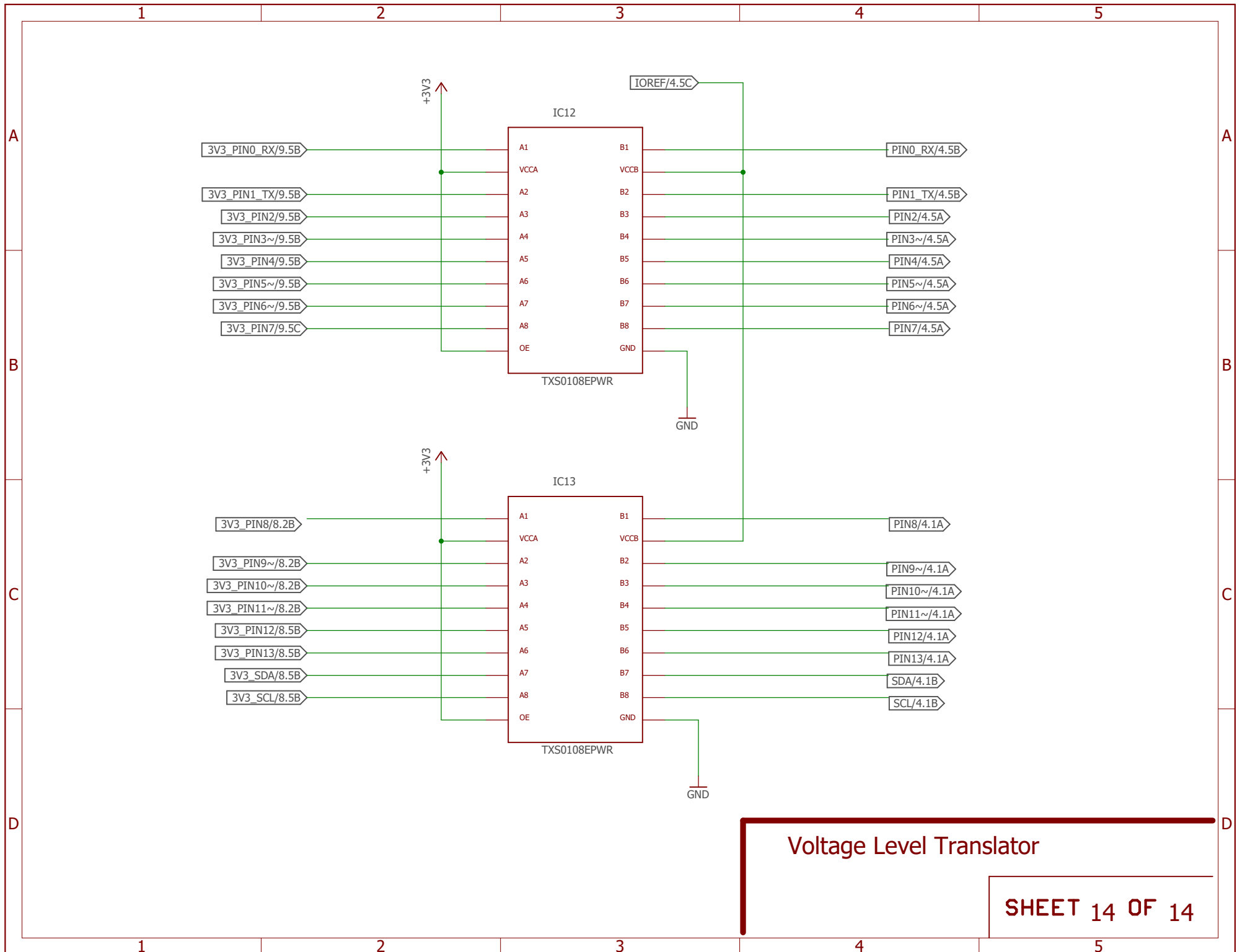
FPGA - LED

SHEET 12 OF 14



FPGA - Power / Ground

SHEET 13 OF 14



Voltage Level Translator

SHEET 14 OF 14