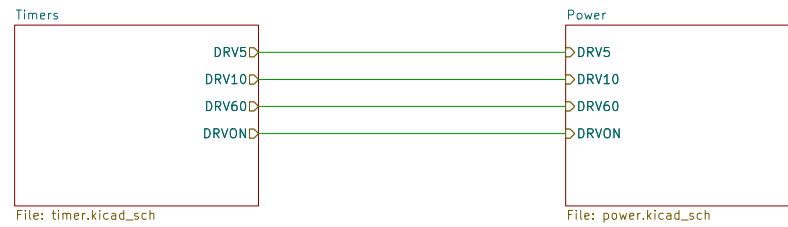


Power Timer

Controller for the LINE wire of an AC outlet
Relay connects power cord LINE to outlet LINE
4 push buttons select 1 of 3 on durations or constant on
While on, pressing a new button switches to the duration assigned to that button
An LED in each push button indicates it's duration is active



Designer: Grant Grummer

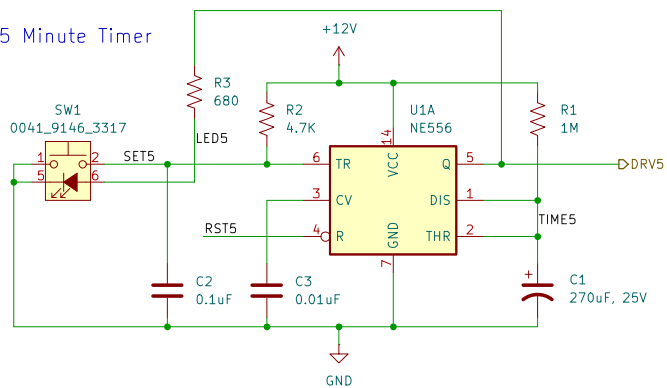
Sheet: /
File: PowerTimerDesign.kicad_sch

Title: Power Timer, Top Level

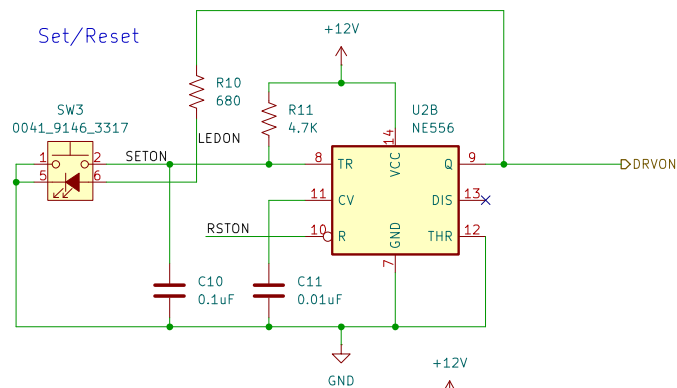
Size: A4 Date: 2026-01-15
KiCad E.D.A. 9.0.6

Rev: D
Id: 1/3

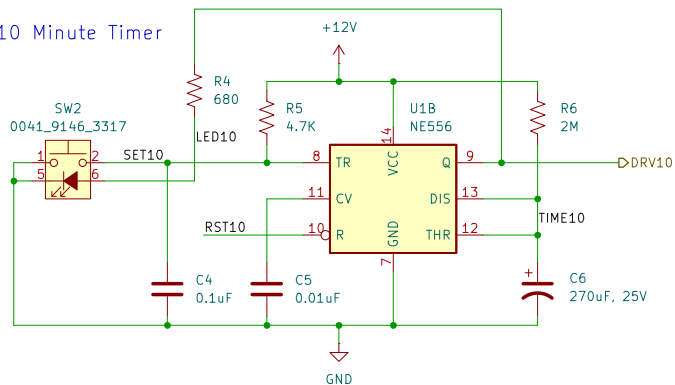
5 Minute Timer



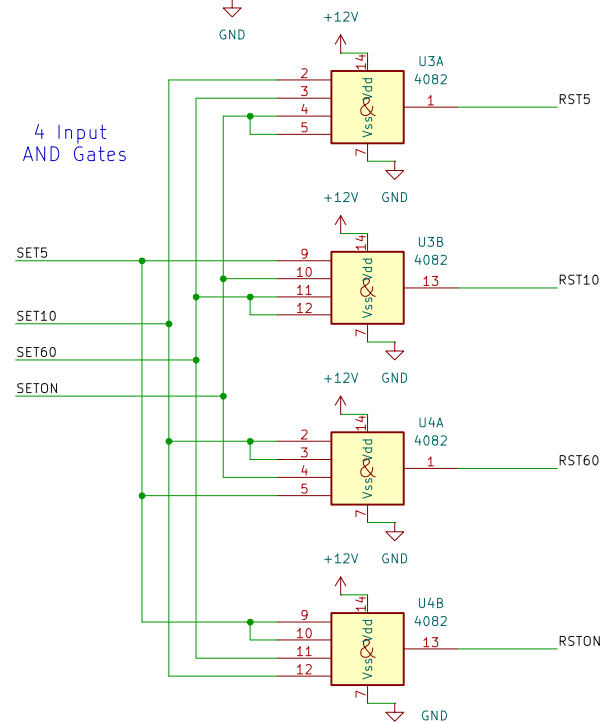
Set/Reset



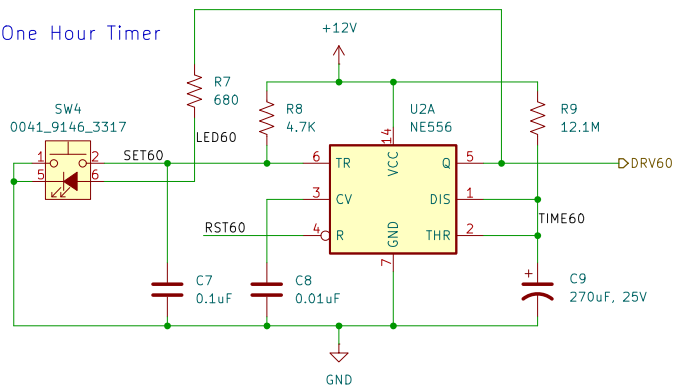
10 Minute Timer



4 Input AND Gates



One Hour Timer



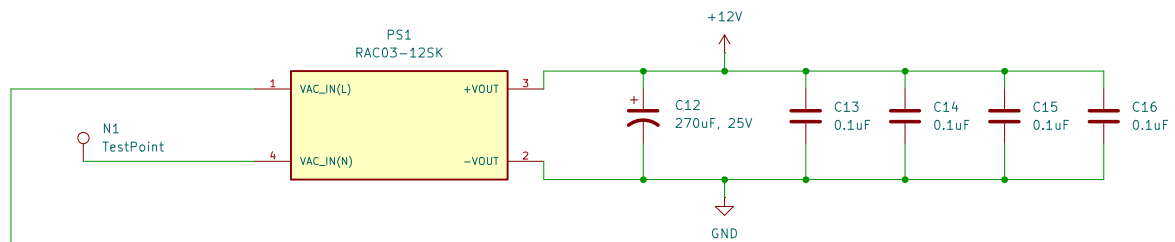
Designer: Grant Grummer

Sheet: /Timers/
File: timer.kicad_sch

Title: Power Timer, Timers

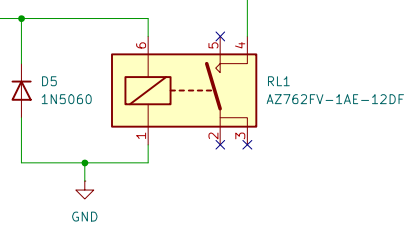
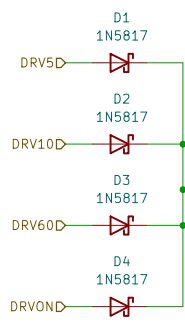
Size: A4 Date: 2026-01-15
KiCad E.D.A. 9.0.6

Rev: D
Id: 2/3



LINEIN

Diode OR



Relay with quick connects
Snubber diode needs to be close to relay coil



Designer: Grant Grummer	
Sheet: /Power/ File: power.kicad_sch	
Title: Power Timer, Power Components	
Size: A4	Date: 2026-01-15
KiCad E.D.A. 9.0.6	Rev: D Id: 3/3