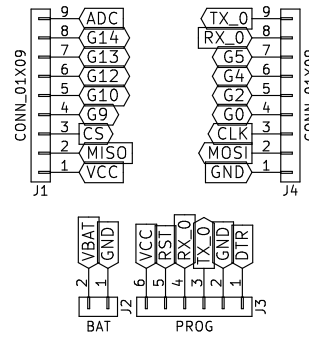
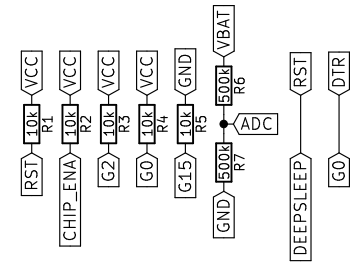


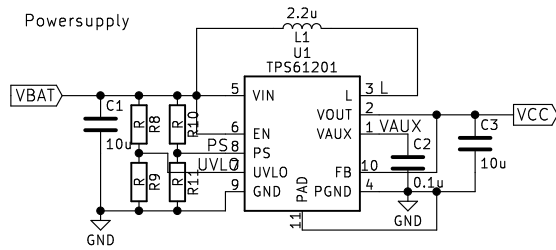
Connectors



Basic components



Powersupply



Sheet: /
File: small_proto.sch

Title:

Size: A4
KiCad E.D.A. kicad 4.0.5

Date:

Rev:
Id: 1/1