

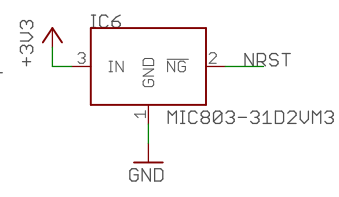
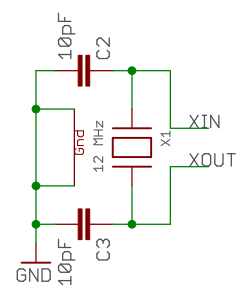
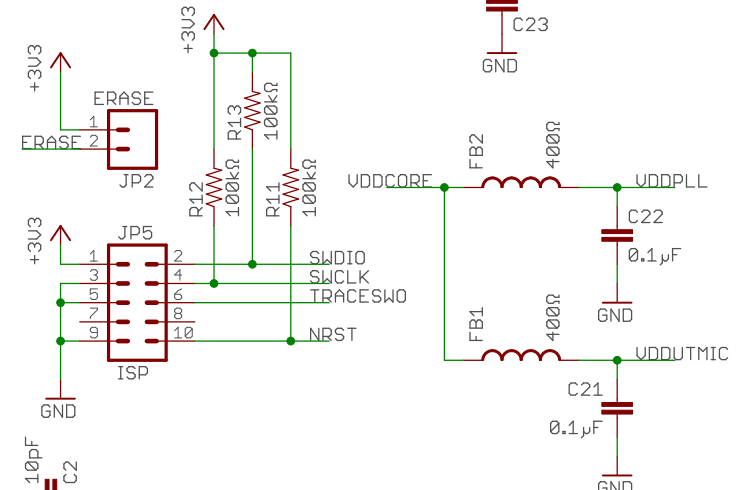
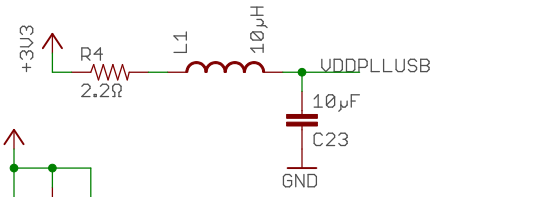
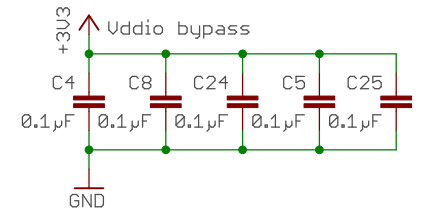
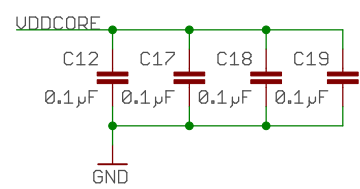
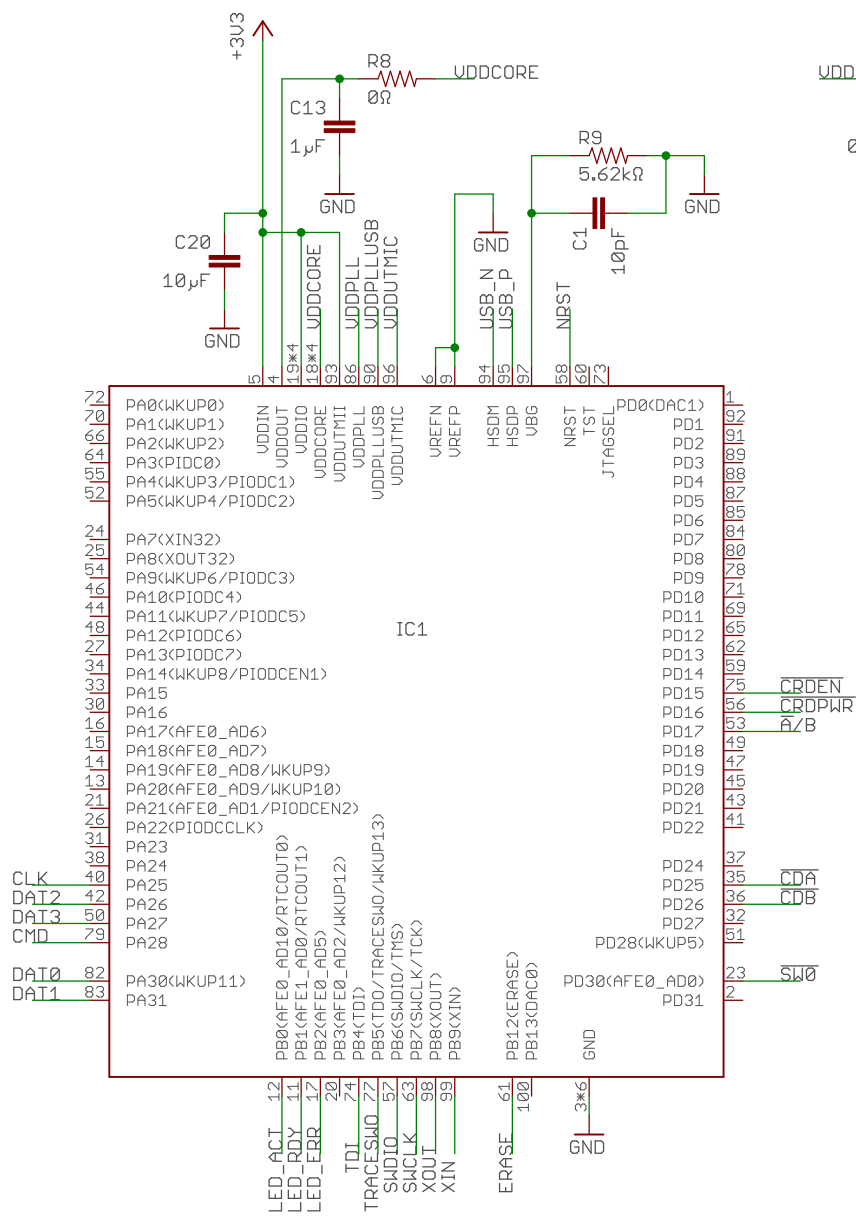
TITLE: Orthrus_3_0_3

Document Number:

REV:

Date: 10/22/17 3:49 PM

Sheet: 1/2



TITLE: Orthrus_3_0_3	
Document Number:	REV:
Date: 10/22/17 3:49 PM	Sheet: 2/2