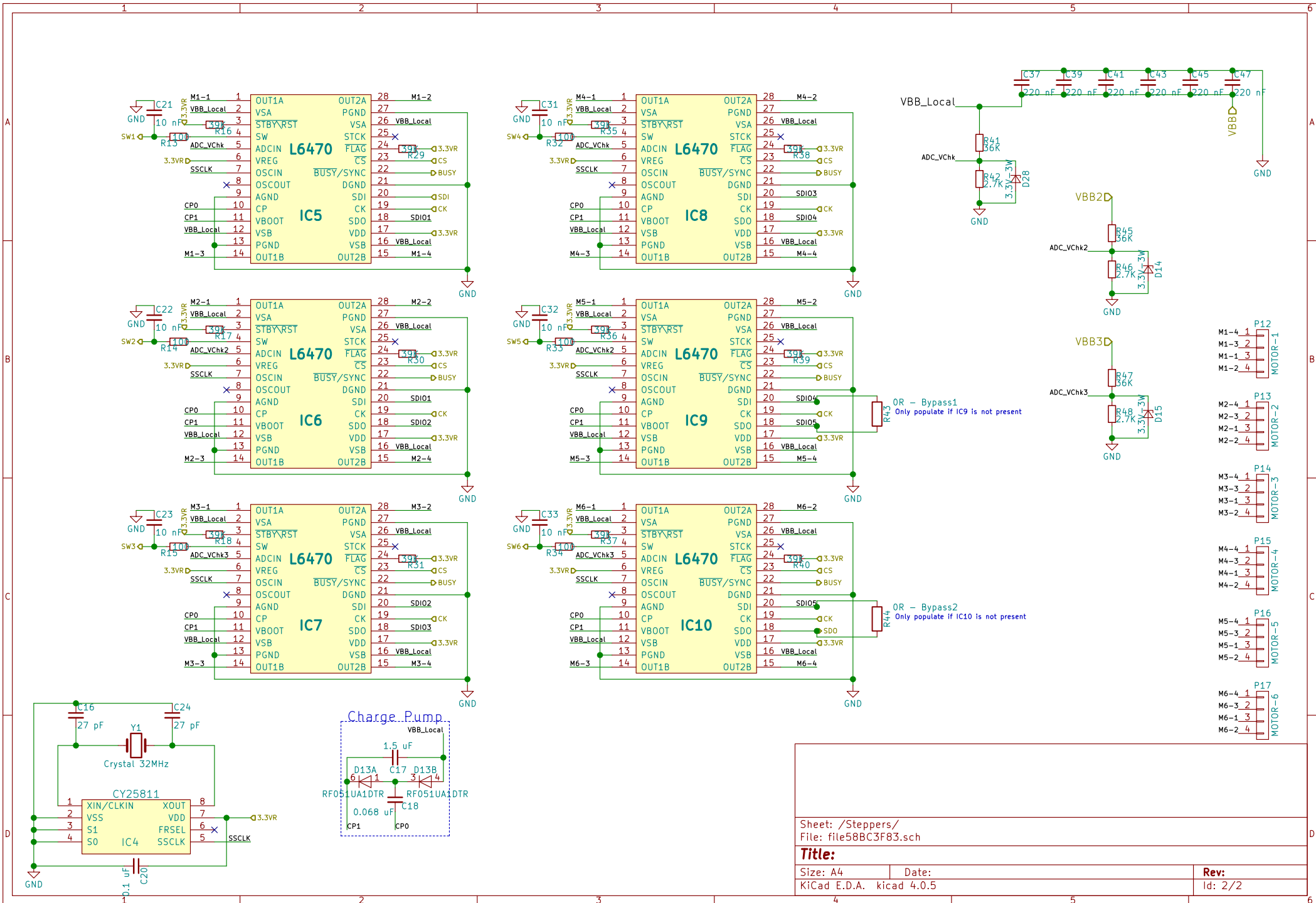


Steppers

- 3.3VR ← 3.3VR
- VBB1 ← VBB1
- CK ← PL_GPIO21
- CS ← PL_GPIO16
- SDI ← PL_GPIO20
- S00D ← PL_GPIO19
- SW1 ← SW1
- SW1D ← SW2
- SW2D ← SW3
- SW3D ← SW4
- SW4D ← SW5
- SW5D ← SW6
- SW6D ← PL_GPIO26
- BUSYD ← VBB2
- VBB2 ← VBB2
- VBB3 ← VBB3

file58BC3F83.sch

Sheet: /		File: OZeroRobotControl.sch	
Title:			
Size: A4	Date:		
KiCad E.D.A.	kiCad 4.0.5	Rev:	Id: 1/2



Sheet: /Steppers/
 File: file58CB3F83.sch
Title:
 Size: A4 Date:
 KiCad E.D.A. kicad 4.0.5
 Rev:
 Id: 2/2