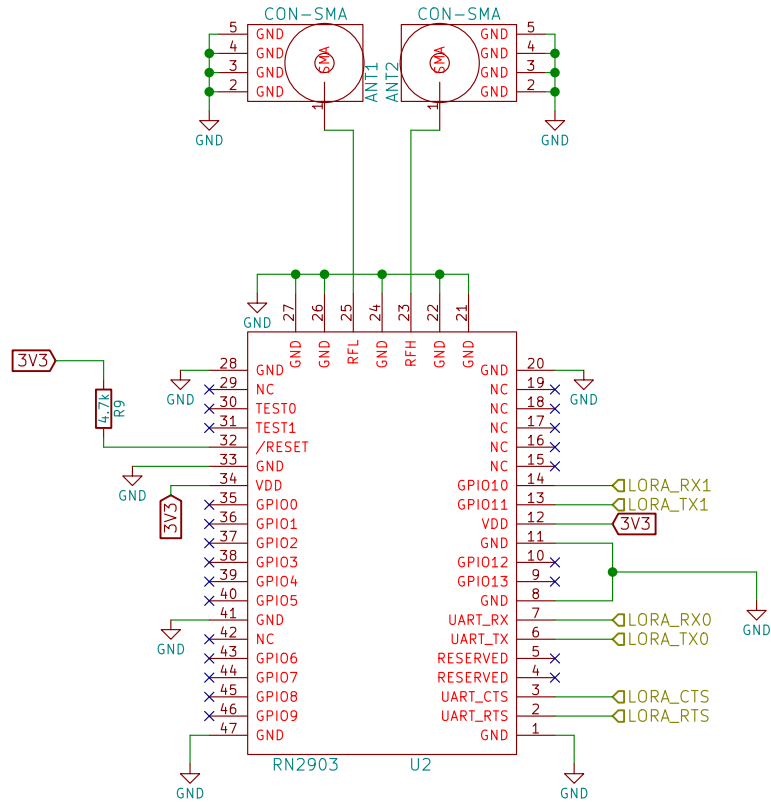


Sheet: /		
File: LoRaNet32.sch		
<b>Title:</b>		
Size: A4	Date:	Rev:
KiCad E.D.A. kicad 4.0.6-e0-634953ubuntu16.04.1		Id: 1/4

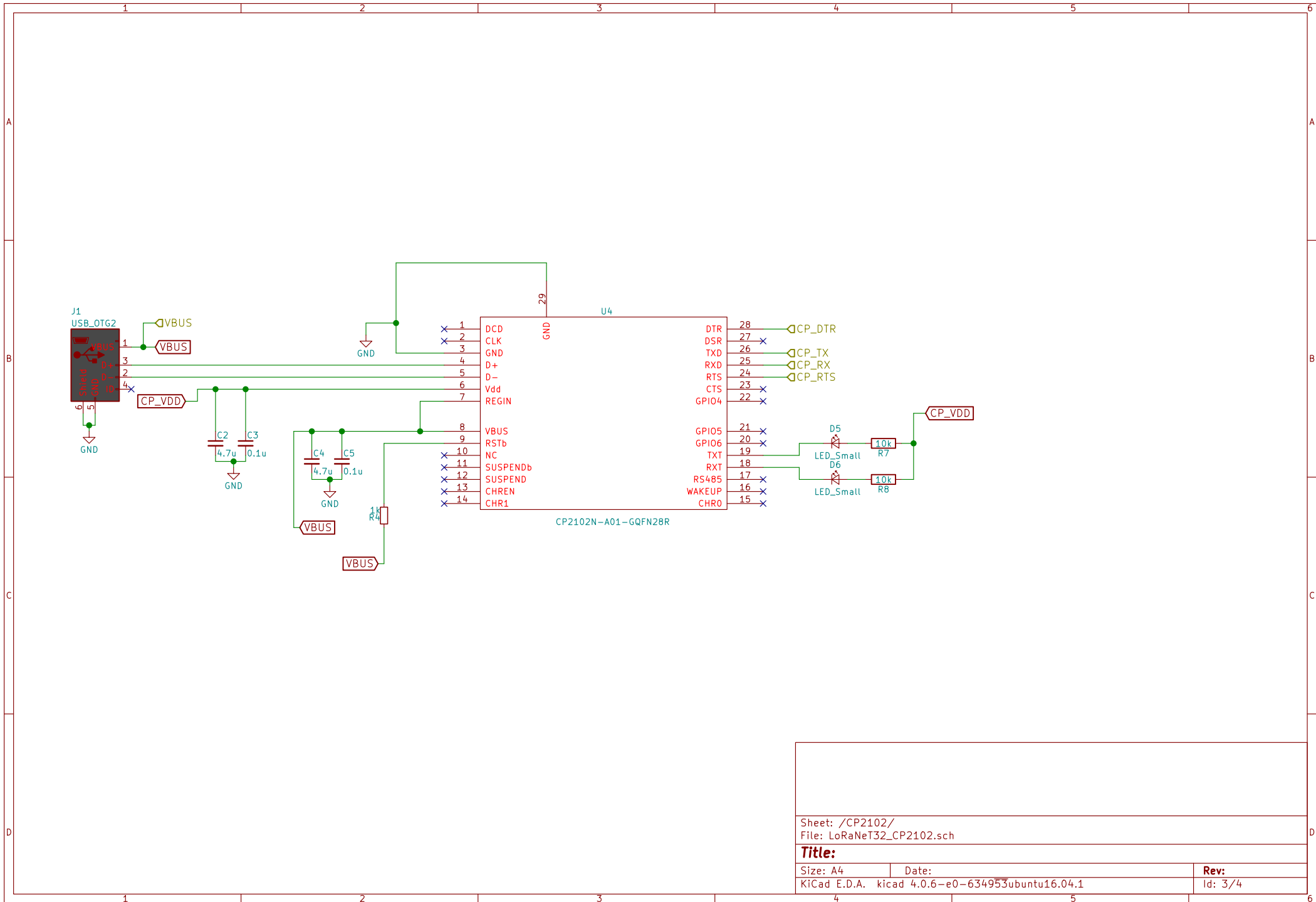


Sheet: /Lora/  
File: LoRaNeT32\_Lora.sch

**Title:**

Size: A4 Date:  
KiCad E.D.A. kicad 4.0.6-e0-634953ubuntu16.04.1

Rev:  
Id: 2/4



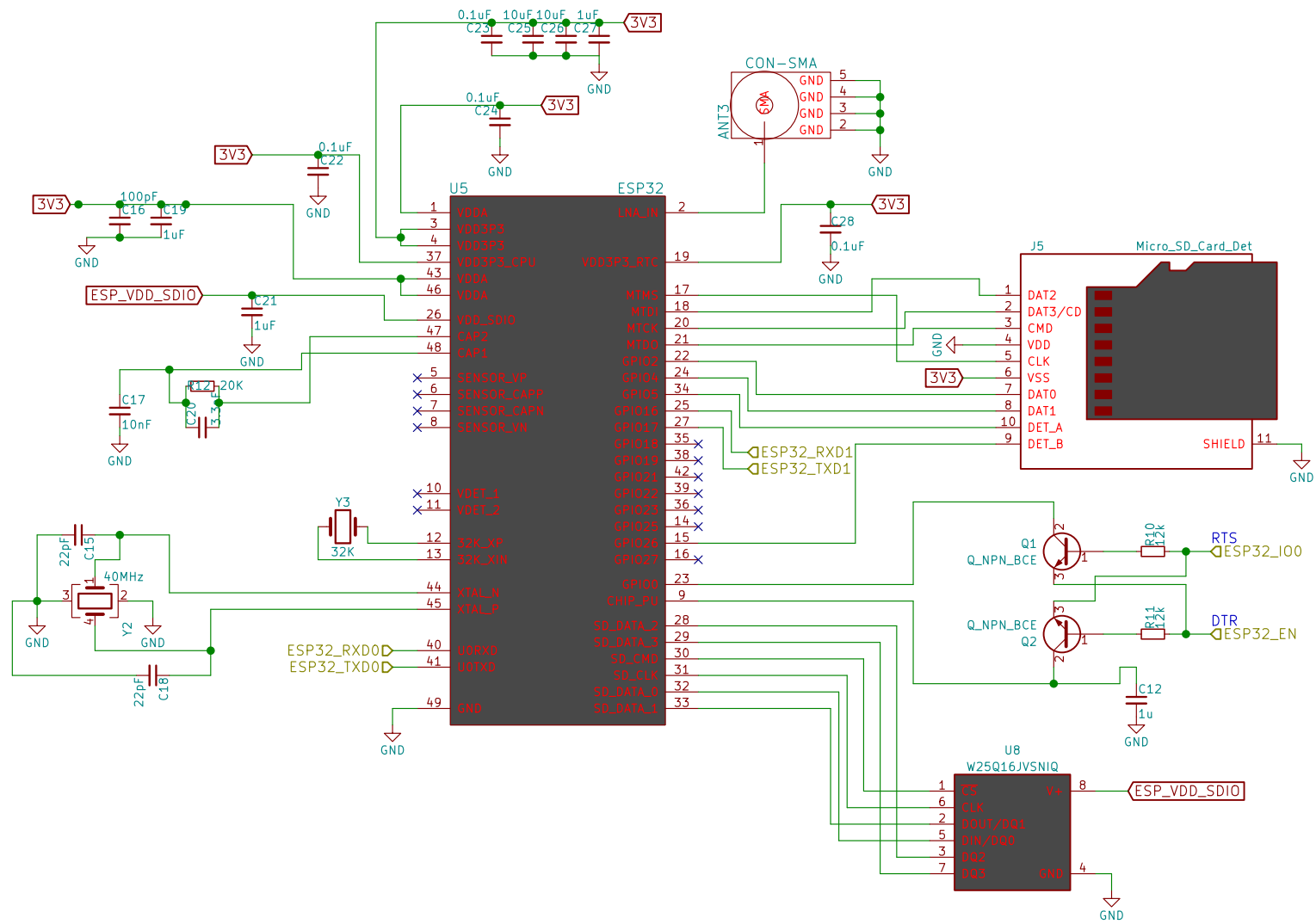
Sheet: /CP2102/  
 File: LoRaNeT32\_CP2102.sch

**Title:**

Size: A4  
 KiCad E.D.A. kicad 4.0.6-e0-634953ubuntu16.04.1

Date:

Rev:  
 Id: 3/4



Sheet: /ESP32/		
File: LoRaNeT32_ESP32.sch		
<b>Title:</b>		
Size: A4	Date:	Rev:
KiCad E.D.A. kicad 4.0.6-e0-634953ubuntu16.04.1		Id: 4/4