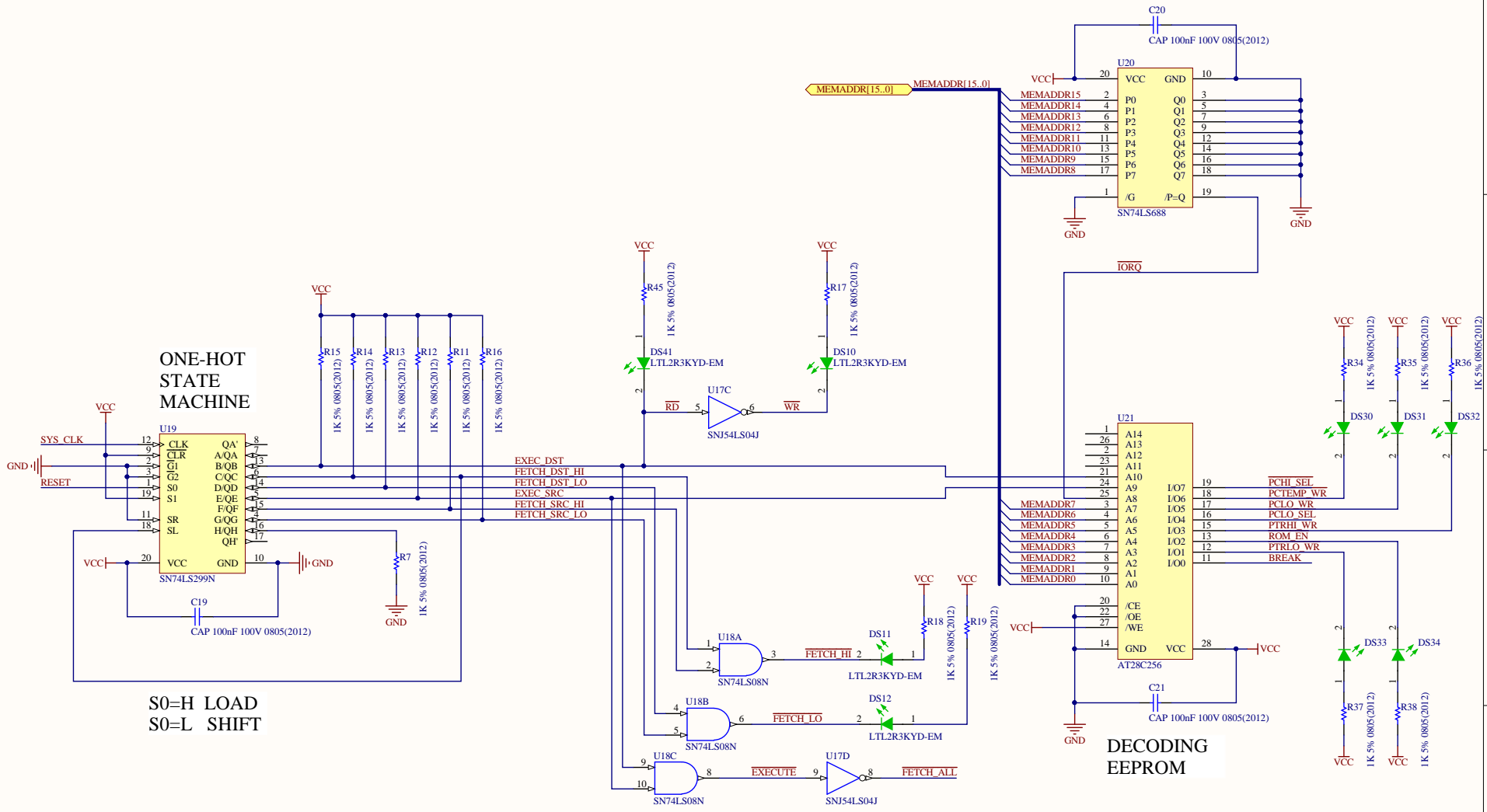


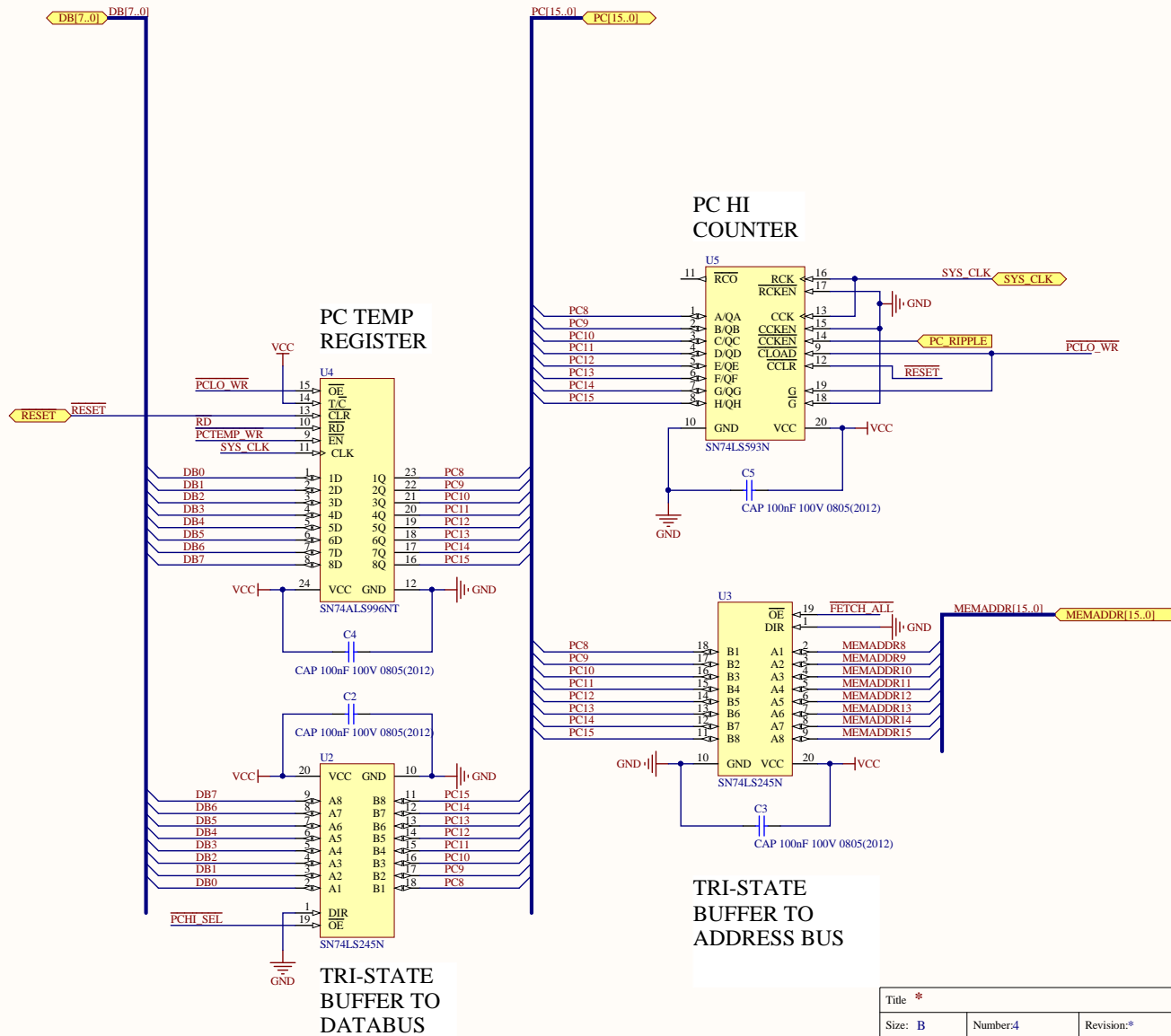
Title			
One Instruction			
Size	Number	Revision	
B		*	
Date:	11/7/2017	1:13:08 PM	Sheet 2 of 8
File:	C:\Users\...\Clock_Sch.Doc		Drawn By: Justin Davis



ONE-HOT STATE MACHINE

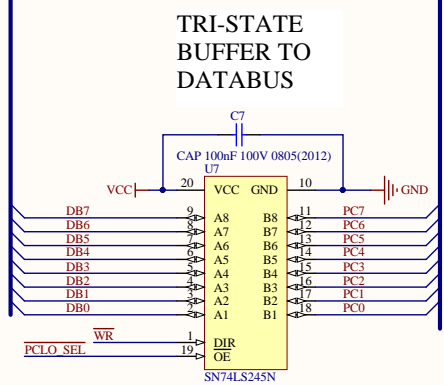
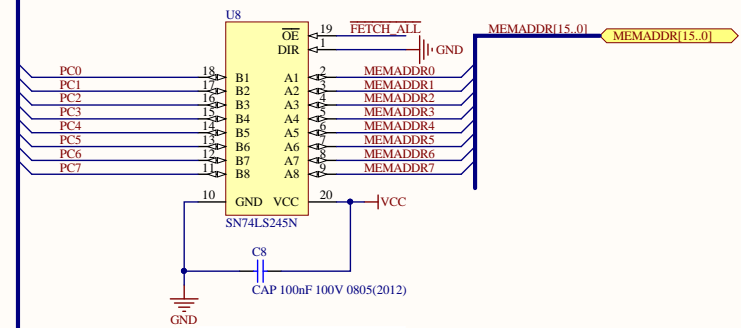
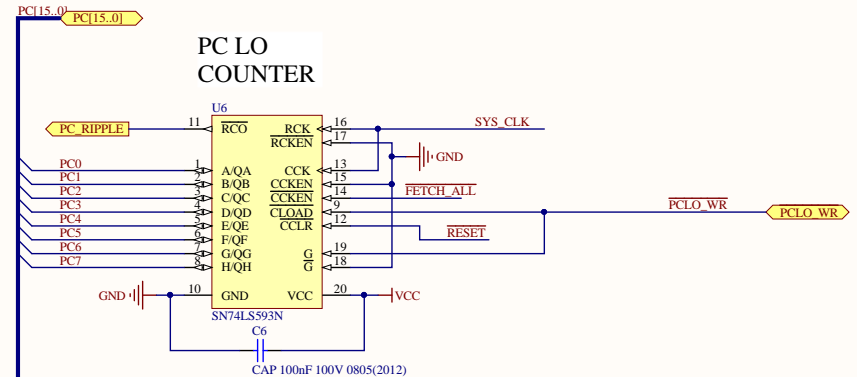
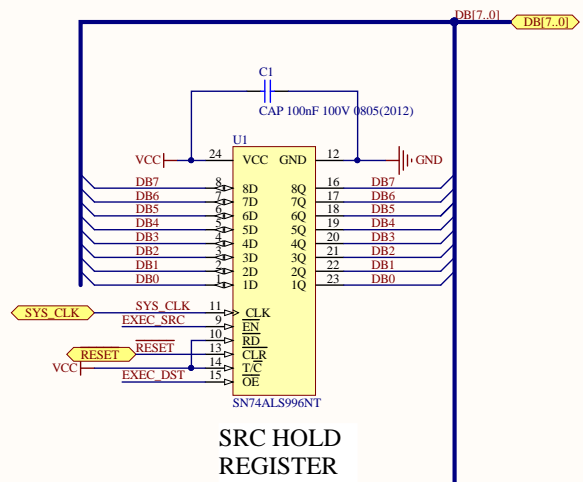
**S0=H LOAD
S0=L SHIFT**

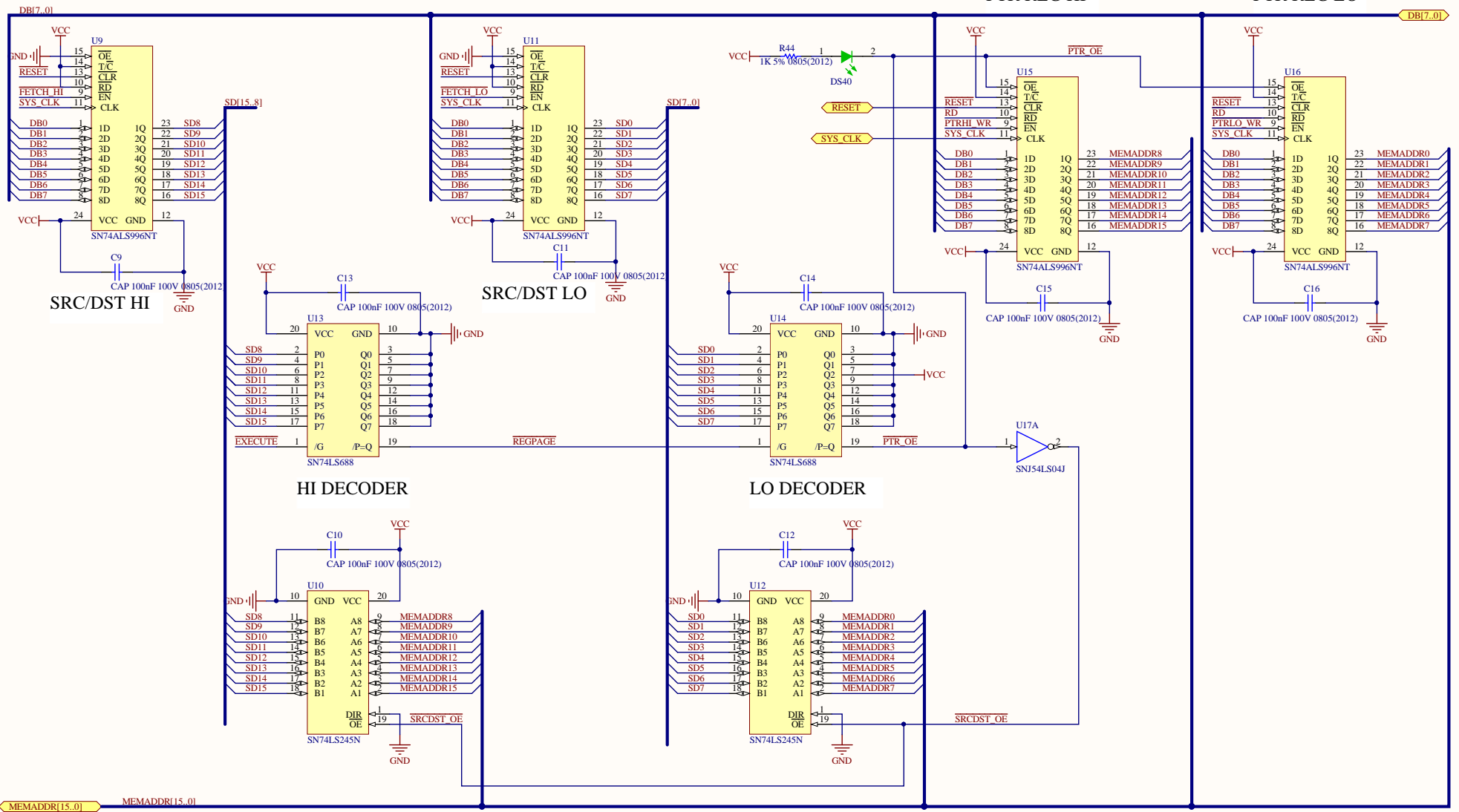
DECODING EEPROM



Title *			* * * *
Size: B	Number: 4	Revision: *	
Date: 11/7/2017	Time: 1:13:08 PM	Sheet: 4 of 8	
File: C:\Users\Public\Documents\Altium\Projects\OneInst\OneInst\ProgCountHi.SchDoc			







SRC/DST HI

SRC/DST LO

HI DECODER

LO DECODER

TRI-STATE
BUFFER TO
DATABUS

TRI-STATE
BUFFER TO
DATABUS

PTR REG HI

PTR REG LO

Title *			*
Size: B	Number: 6	Revision: *	*
Date: 11/7/2017	Time: 1:13:08 PM	Sheet: 6 of 8	*
File: C:\Users\Public\Documents\Altium\Projects\OneInst\SrcDstReg_SchDoc			*



A

B

C

D

A

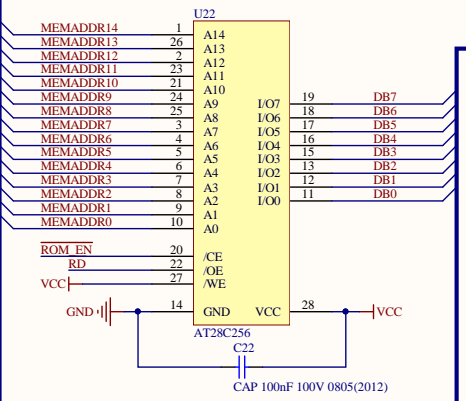
B

C

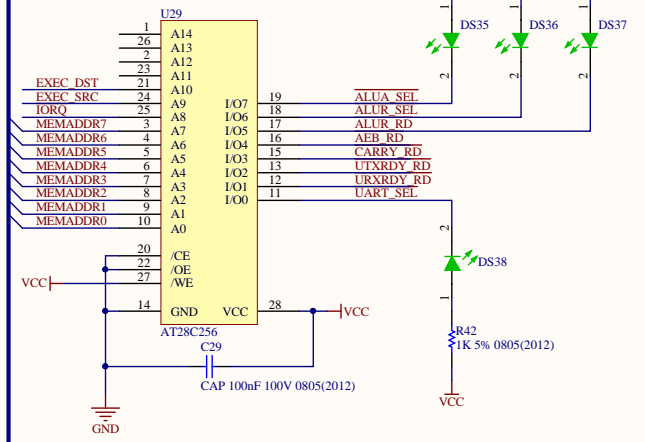
D

MEMADDR[15..0]

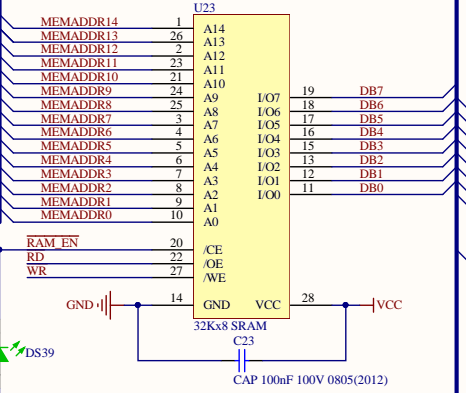
ROM



DECODING EEPROM



RAM



UART

