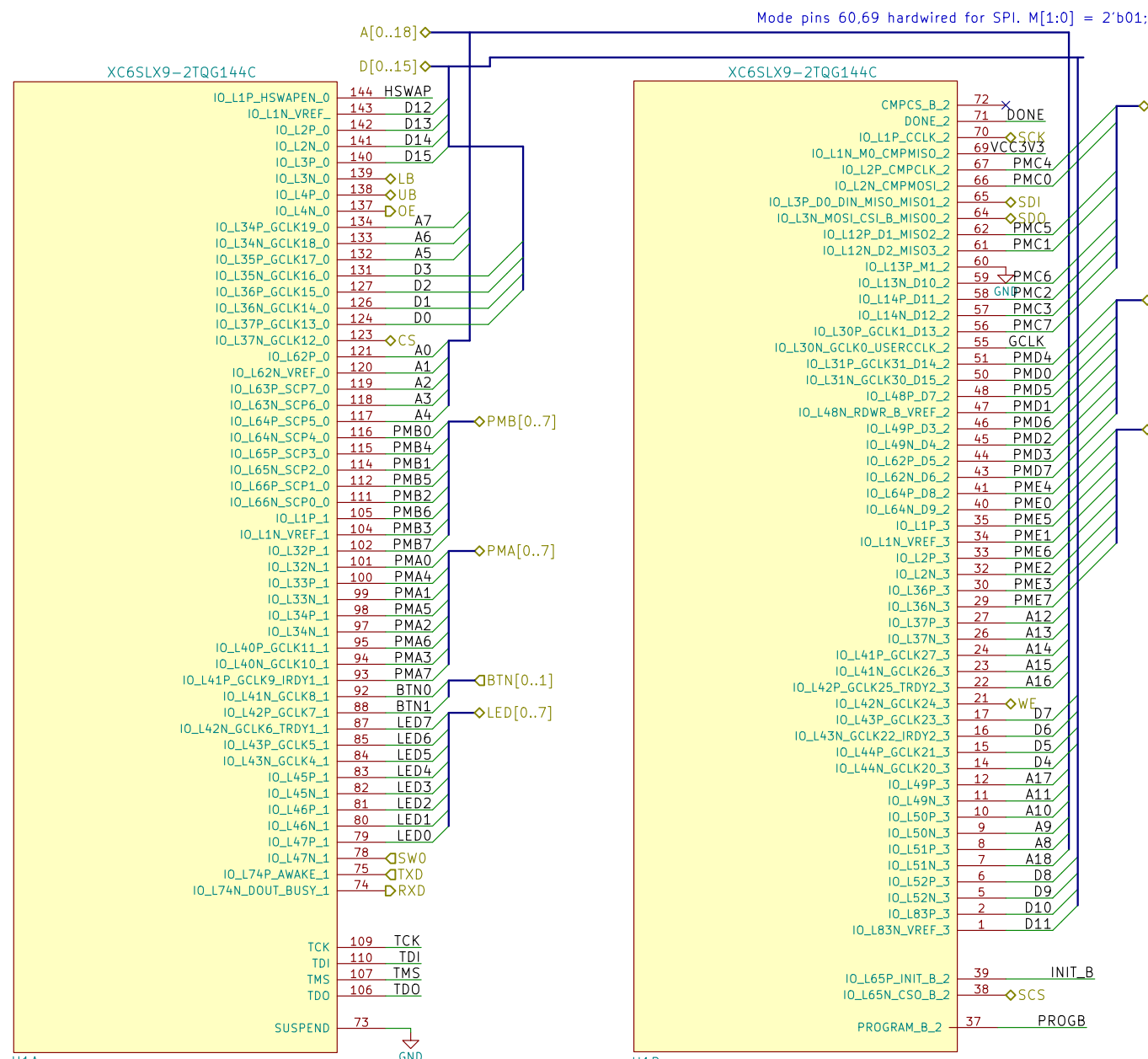
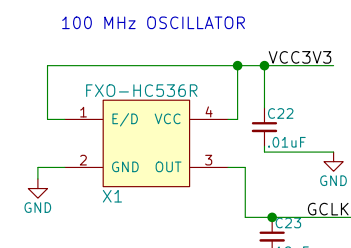
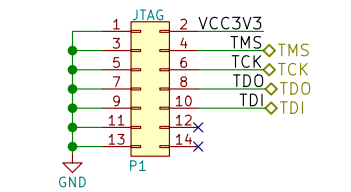


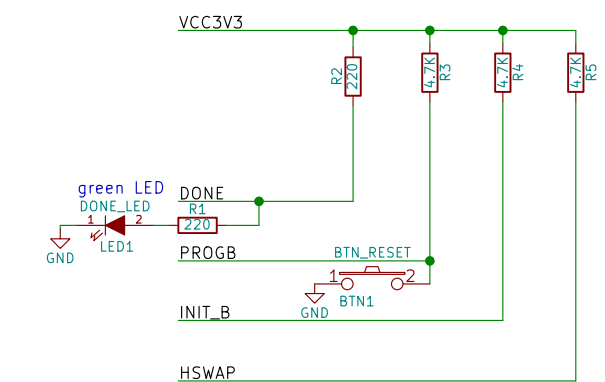
Sheet: /		
File: Spartan6Dev.sch		
<b>Title:</b>		
Size: A4	Date:	Rev:
KiCad E.D.A. kicad (2017-01-24 revision 0b6147e)-makepkg		Id: 1/6



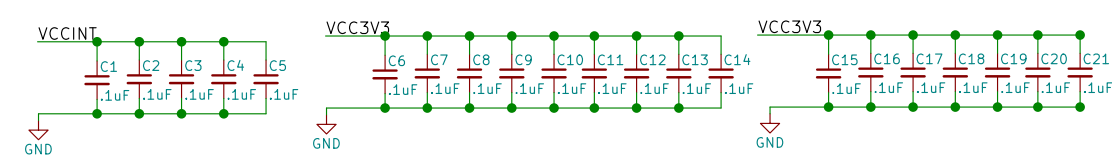
Not using Suspend, so tying it to ground. See Config pdf for details.

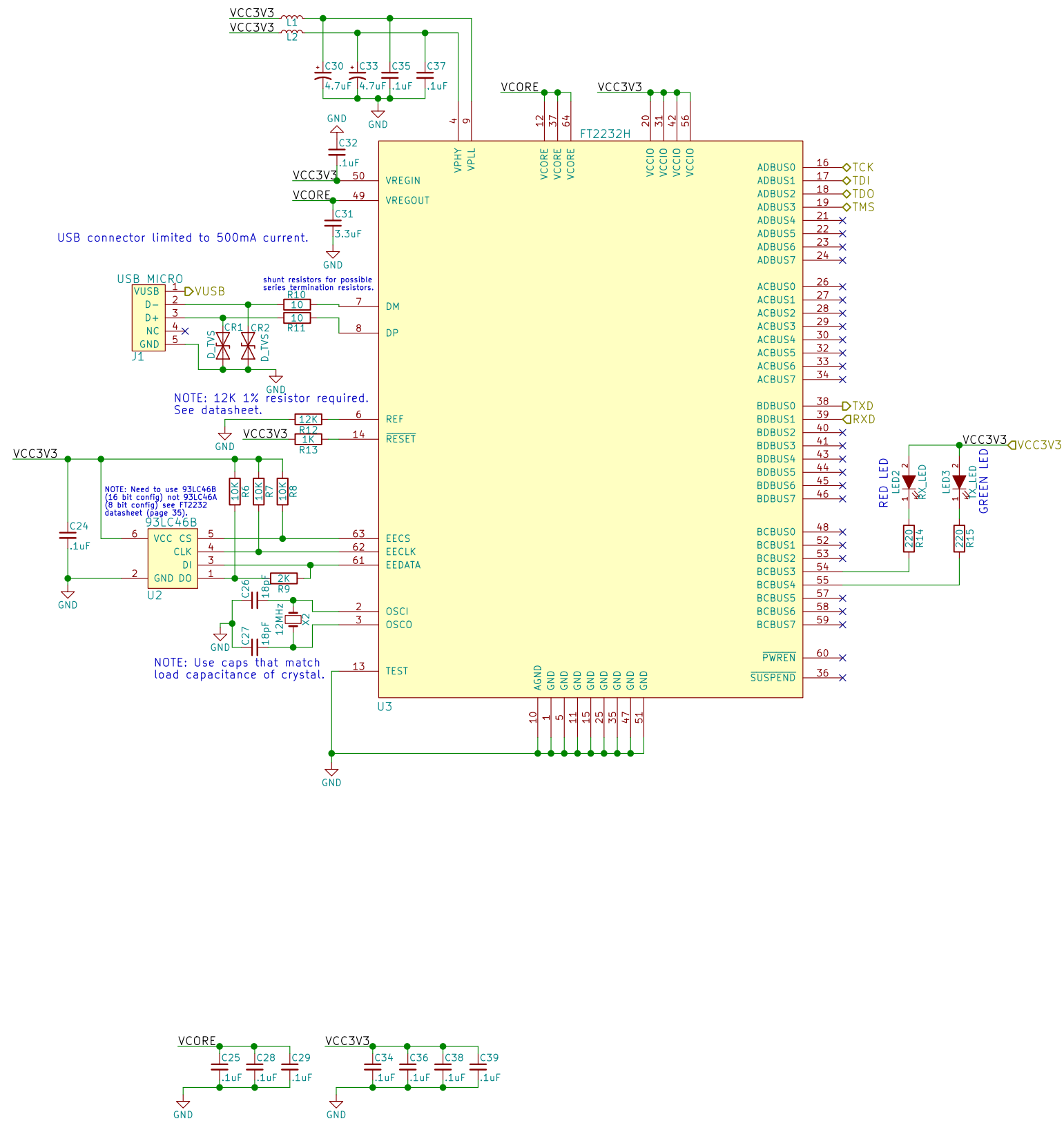


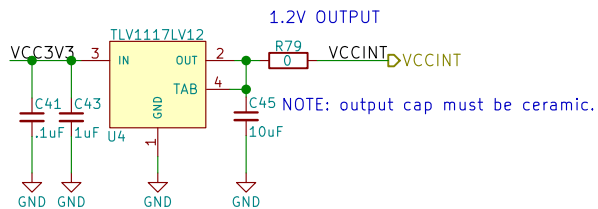
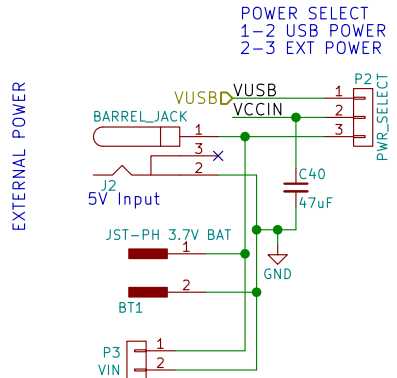
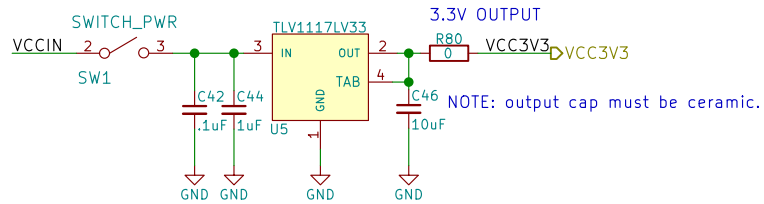
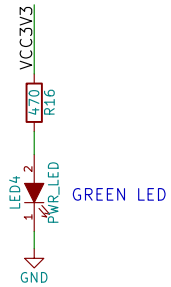
NOTE: output load capacitor can range from 15pF to 30pF for a GND100MHz oscillation. (see page 3 of datasheet)



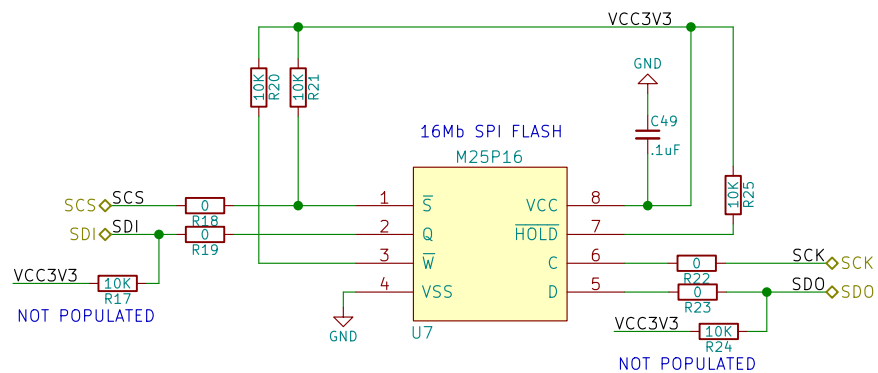
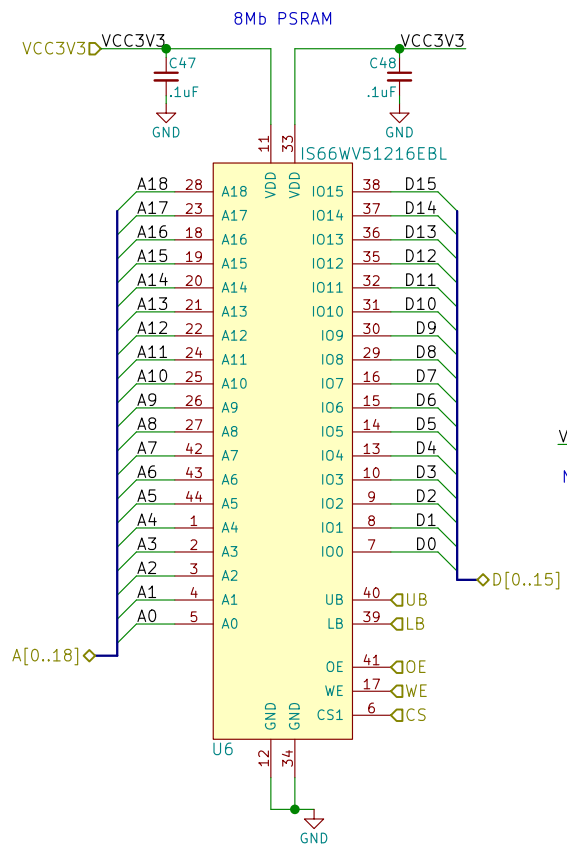
HSWAP needs a pullup for CS0\_B. See Configuration pdf SPI config for details.







Sheet: /power/		Date:	
File: power.sch		Rev:	
<b>Title:</b>			
Size: A4	KiCad E.D.A. kicad (2017-01-24 revision 0b6147e)-makepkg		Id: 4/6

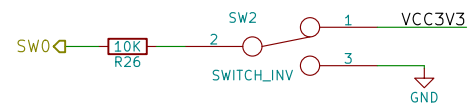
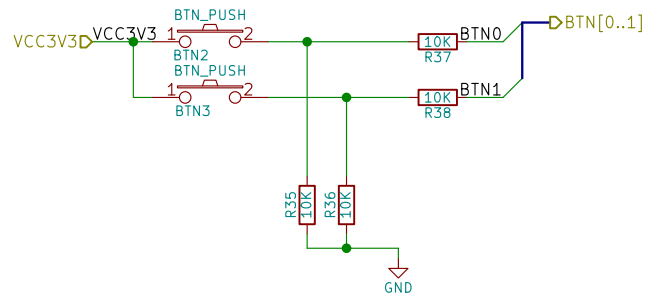
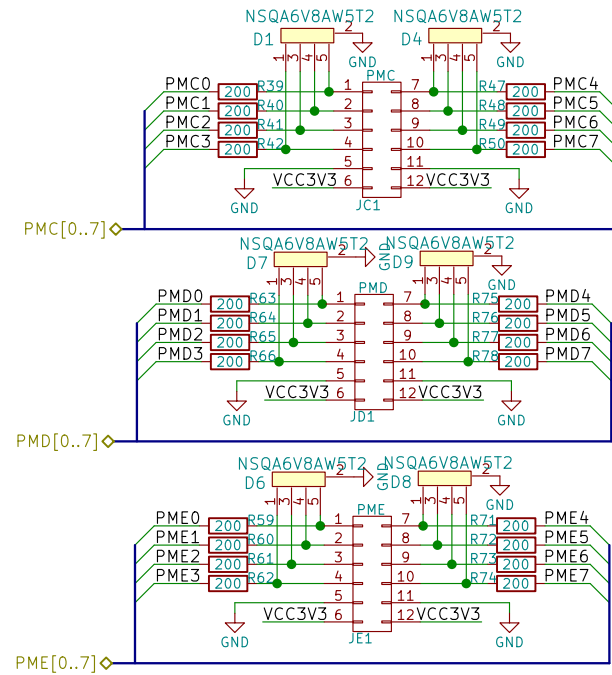
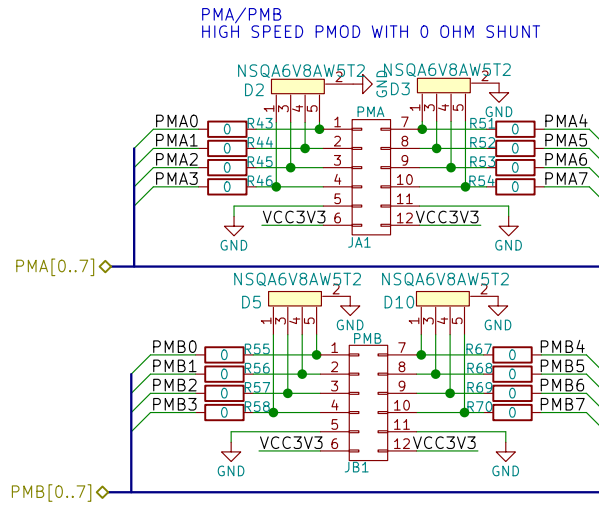
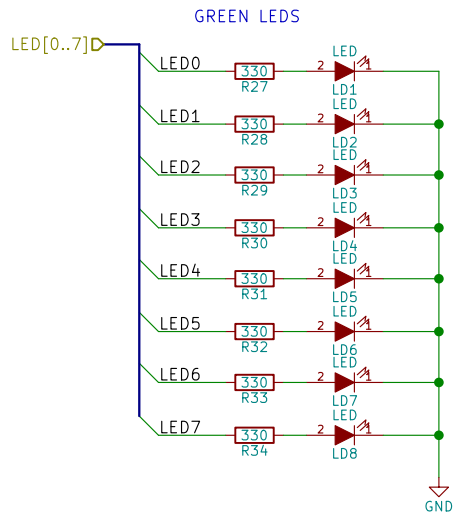


Sheet: /memory/  
File: memory.sch

**Title:**

Size: A4 Date:  
KiCad E.D.A. kicad (2017-01-24 revision 0b6147e)-makepkg

**Rev:**  
Id: 5/6



Sheet: /gpio/  
File: gpio.sch

**Title:**

Size: A4 Date: KiCad E.D.A. kicad (2017-01-24 revision 0b6147e)-makepkg

**Rev:**  
Id: 6/6