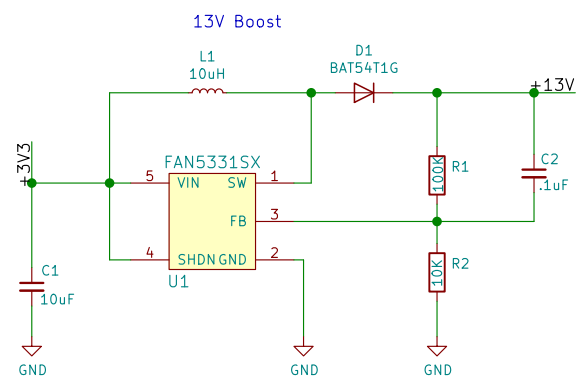


$$R3 = (VCC - 6V) / 12.5\mu A$$

$$= (13.5 - 6) / .0000125$$

$$= 600K$$



$$VOUT = 1.23V * (1 + R1/R2)$$

$$VOUT = 13.53V$$

This is .5V above the recommended voltage, but uses common resistors for easy assembly.

Sheet: /	
File: OLED_1.5_128X128_breakout.sch	
<b>Title:</b>	
Size: A4	Date:
KiCad E.D.A. kicad (2017-01-24 revision 0b6147e)-makepkg	Rev:
	Id: 1/1