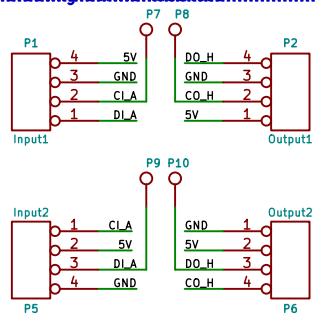
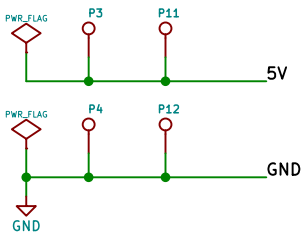


**Stacking Expansion Connectors
for creating ULTIM8 matrices**

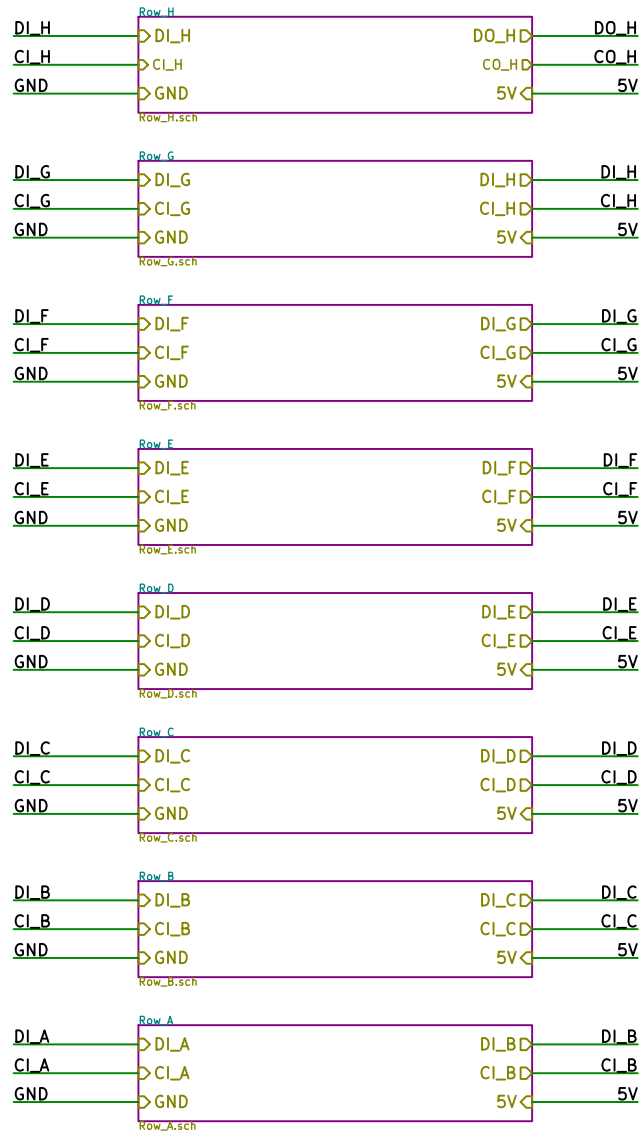


DATA/CLK INPUTS **DATA/CLK OUTPUTS**

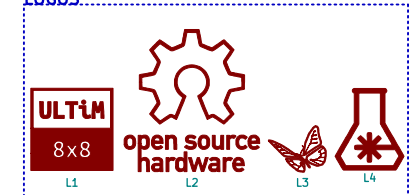
POWER INPUT POSTS



8 strips of 8 LEDs each (8x8)



LOGOS



www.wyolum.com : www.maniacallabs.com

WyoLum + Maniacal Labs

Sheet: /

File: ultim8x8.sch

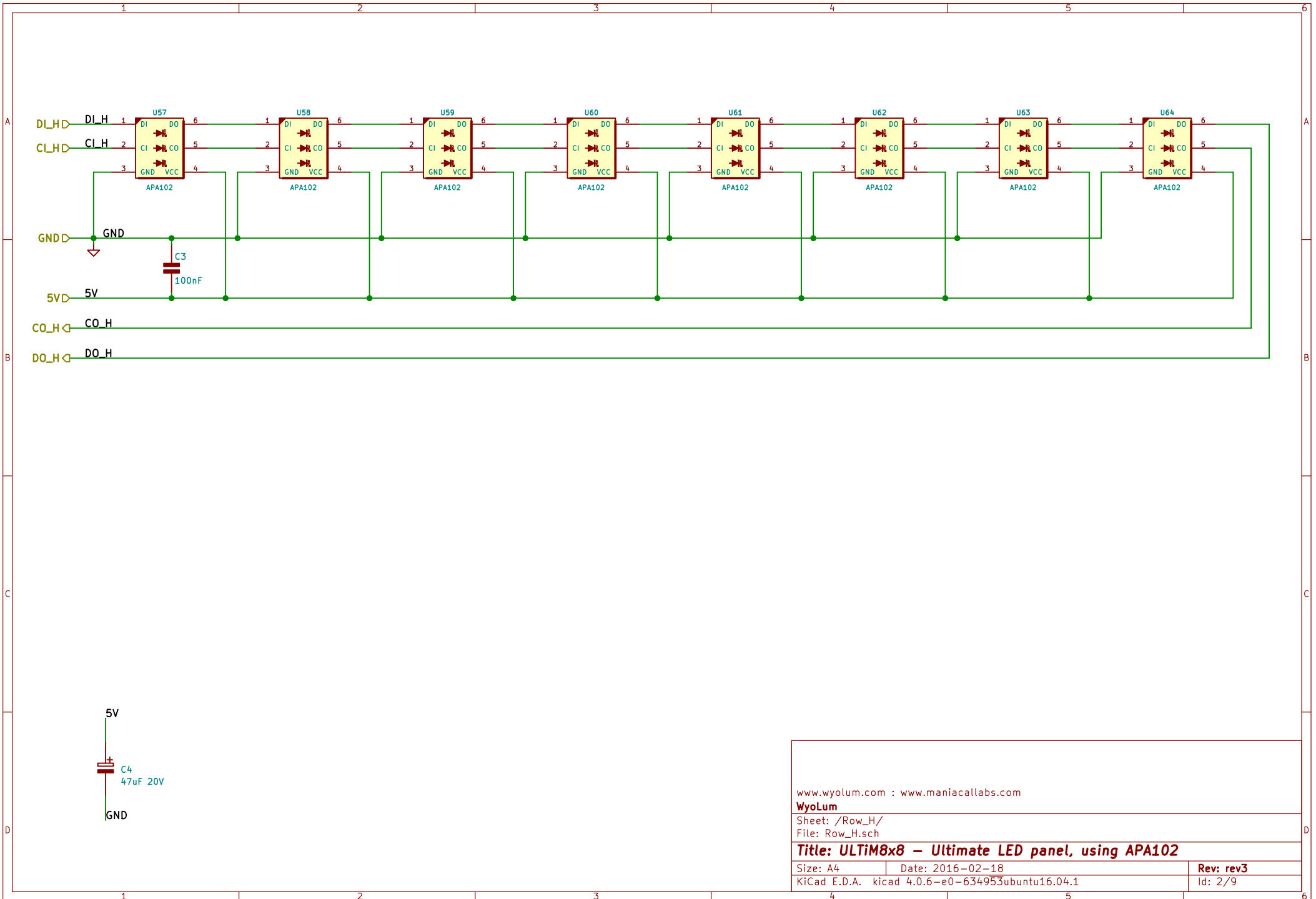
Title: ULTIM8x8 – Ultimate LED panel, using APA102

Size: A4 Date: 2016-02-18

KiCad E.D.A. kicad 4.0.6-e0-634953ubuntu16.04.1

Rev: rev1

Id: 1/9



www.wyolum.com : www.maniacallabs.com

WyoLum

Sheet: /Row_H/

File: Row_H.sch

Title: ULTIM8x8 – Ultimate LED panel, using APA102

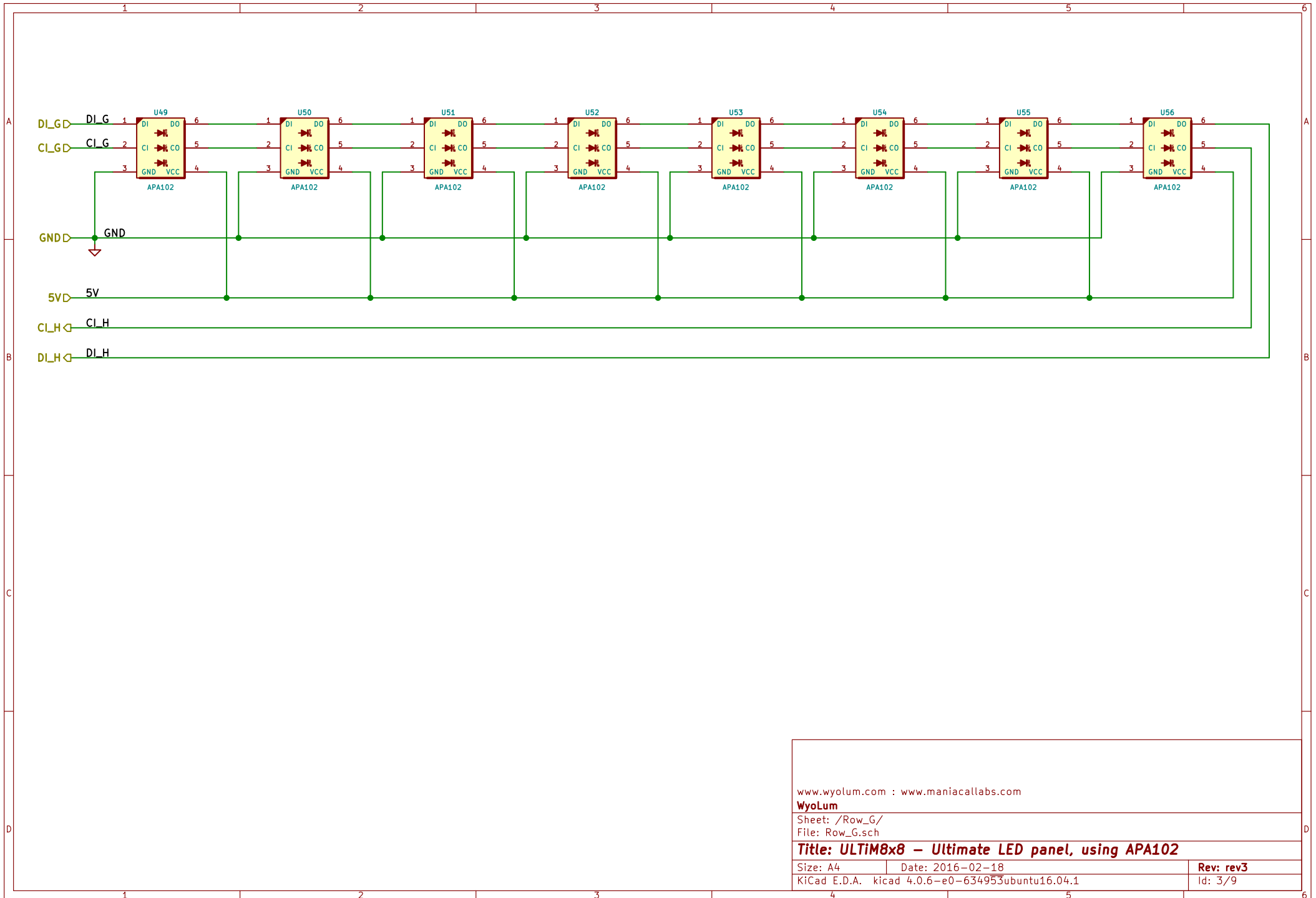
Size: A4

Date: 2016-02-18

Rev: rev3

KiCad E.D.A. kicad 4.0.6-e0-634953ubuntu16.04.1

Id: 2/9



www.wyolum.com : www.maniacallabs.com

WyoLum

Sheet: /Row_G/

File: Row_G.sch

Title: ULTIM8x8 – Ultimate LED panel, using APA102

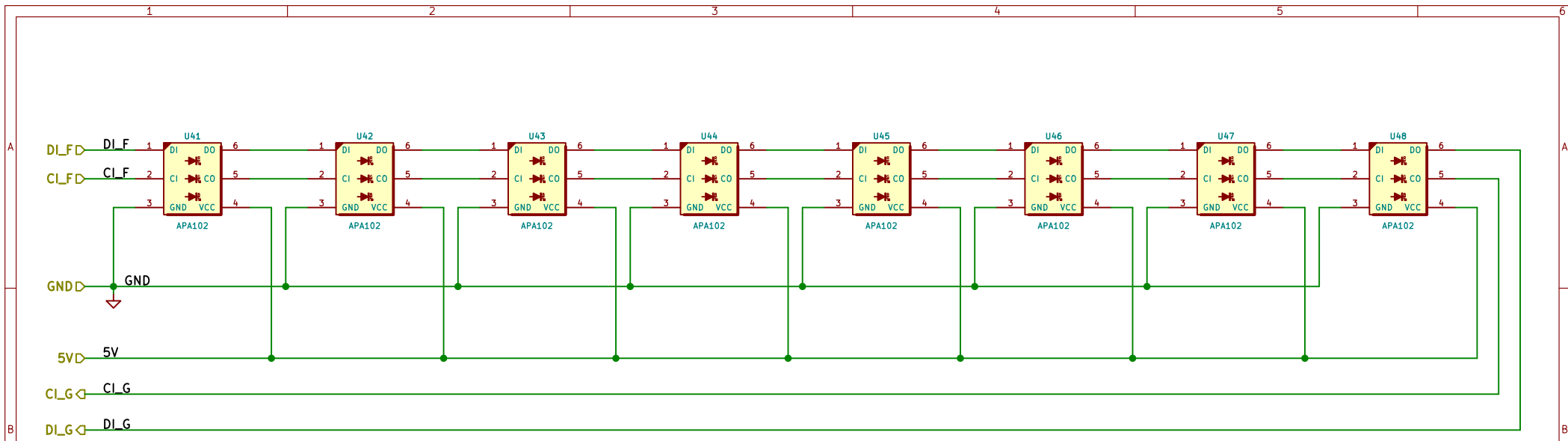
Size: A4

Date: 2016-02-18

Rev: rev3

KiCad E.D.A. kicad 4.0.6-e0-634953ubuntu16.04.1

Id: 3/9



www.wyolum.com : www.maniacallabs.com

WyoLum

Sheet: /Row_F/

File: Row_F.sch

Title: ULTiM8x8 – Ultimate LED panel, using APA102

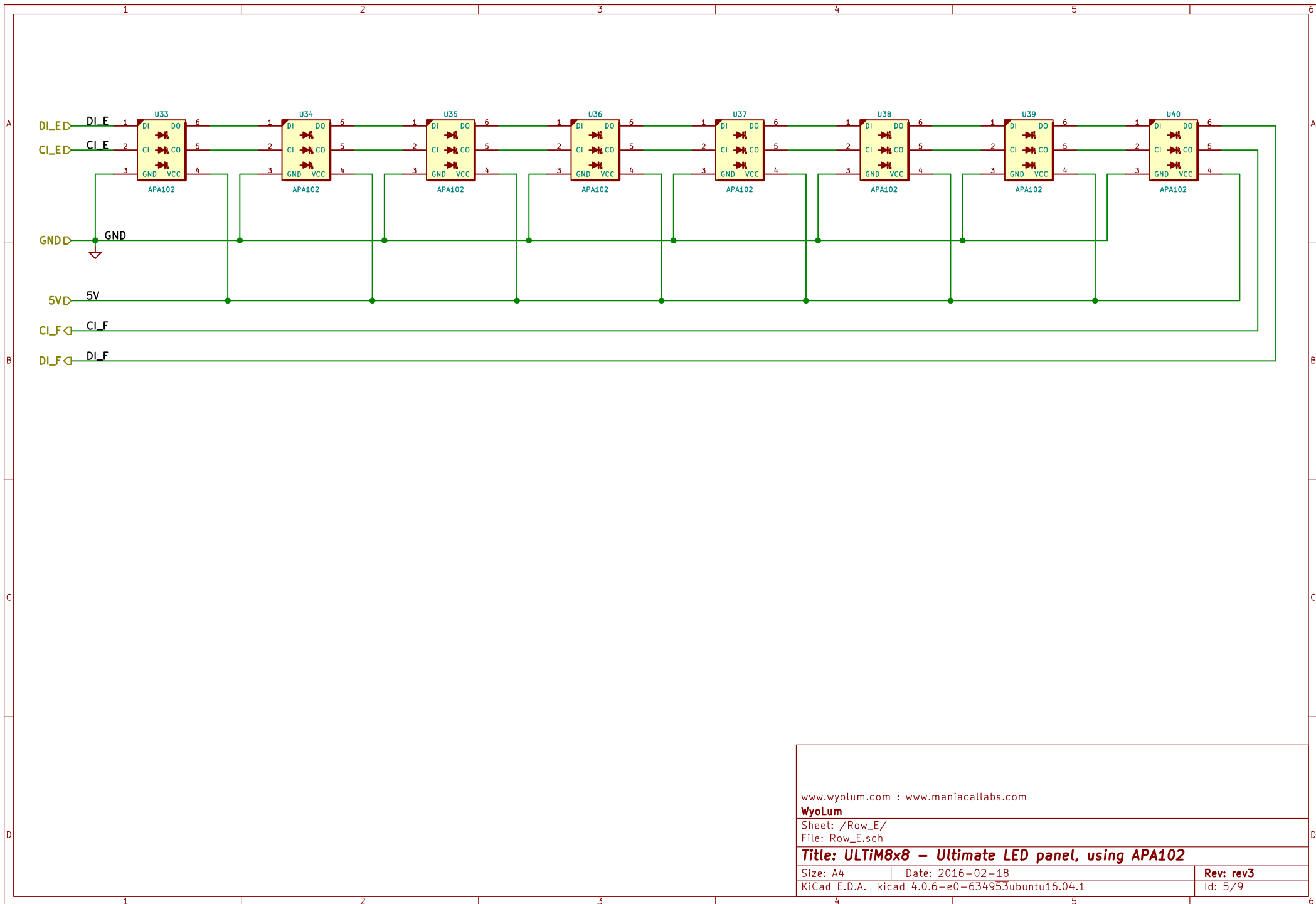
Size: A4

Date: 2016-02-18

Rev: rev3

KiCad E.D.A. kicad 4.0.6-e0-634953ubuntu16.04.1

Id: 4/9



www.wyolum.com : www.maniacallabs.com

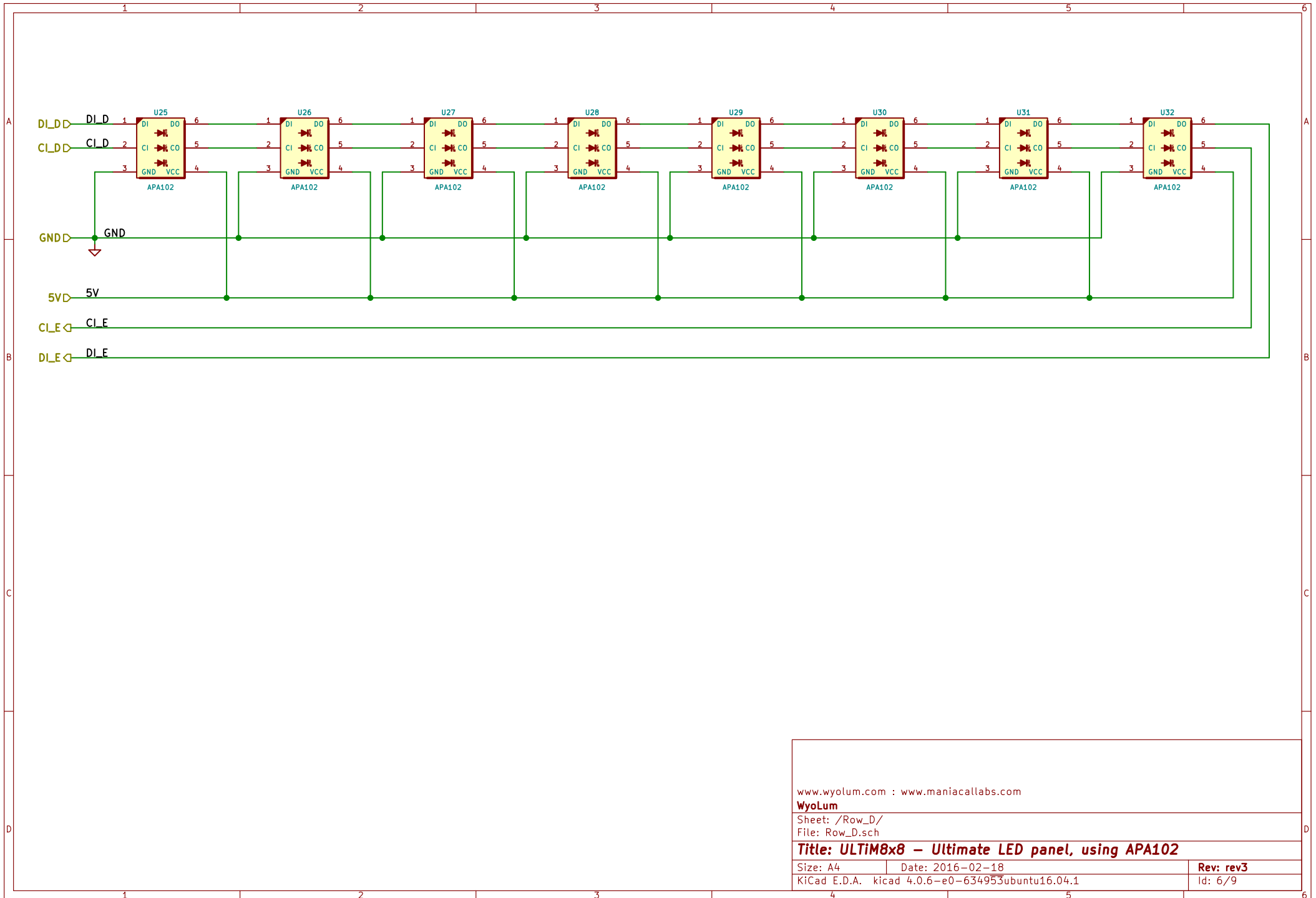
WyoLum

Sheet: /Row_E/

File: Row_E.sch

Title: ULTIM8x8 – Ultimate LED panel, using APA102

| | | |
|---|------------------|-----------|
| Size: A4 | Date: 2016-02-18 | Rev: rev3 |
| KiCad E.D.A. kicad 4.0.6-e0-634953ubuntu16.04.1 | | Id: 5/9 |



www.wyolum.com : www.maniacallabs.com

WyoLum

Sheet: /Row_D/

File: Row_D.sch

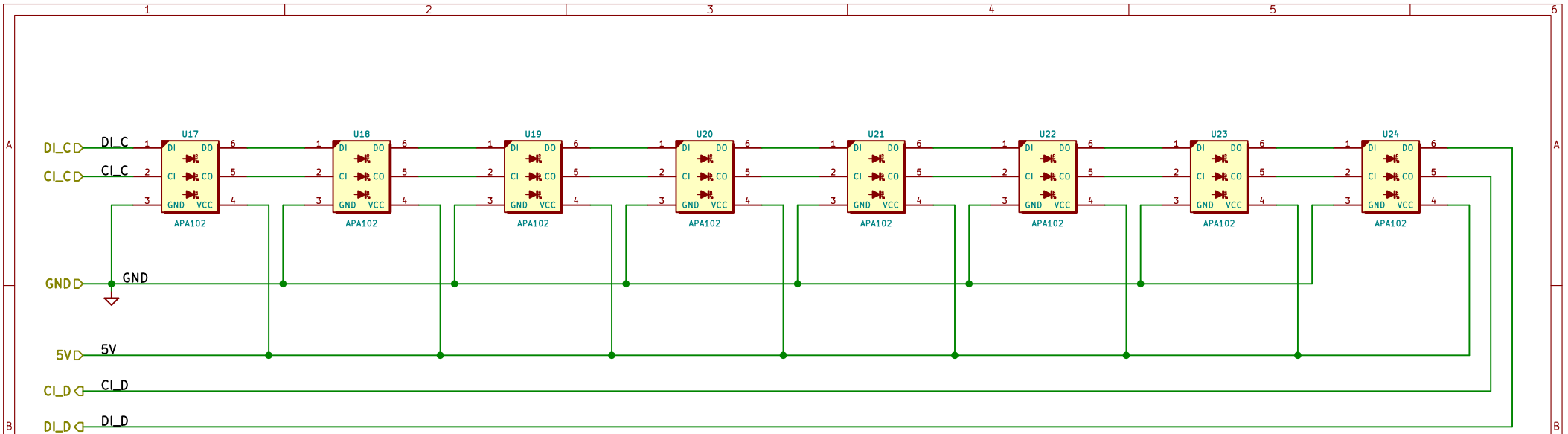
Title: ULTIM8x8 – Ultimate LED panel, using APA102

Size: A4 Date: 2016-02-18

Rev: rev3

KiCad E.D.A. kicad 4.0.6-e0-634953ubuntu16.04.1

Id: 6/9



www.wyolum.com : www.maniacallabs.com

WyoLum

Sheet: /Row_C/

File: Row_C.sch

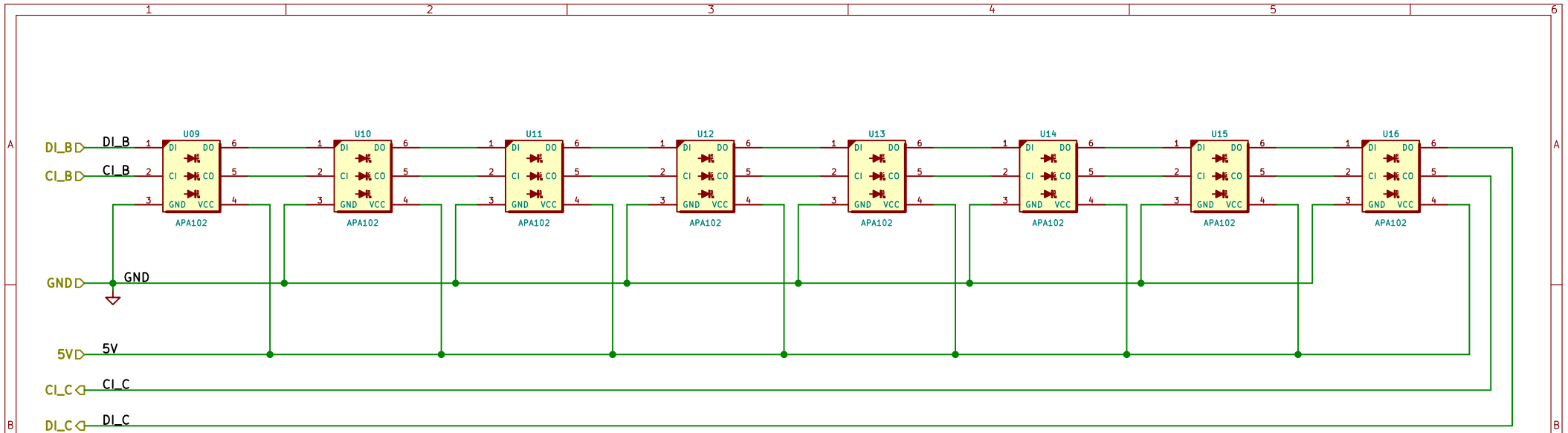
Title: ULTiM8x8 – Ultimate LED panel, using APA102

Size: A4 Date: 2016-02-18

Rev: rev3

KiCad E.D.A. kicad 4.0.6-e0-634953ubuntu16.04.1

Id: 7/9



www.wyolum.com : www.maniacallabs.com

WyoLum

Sheet: /Row_B/

File: Row_B.sch

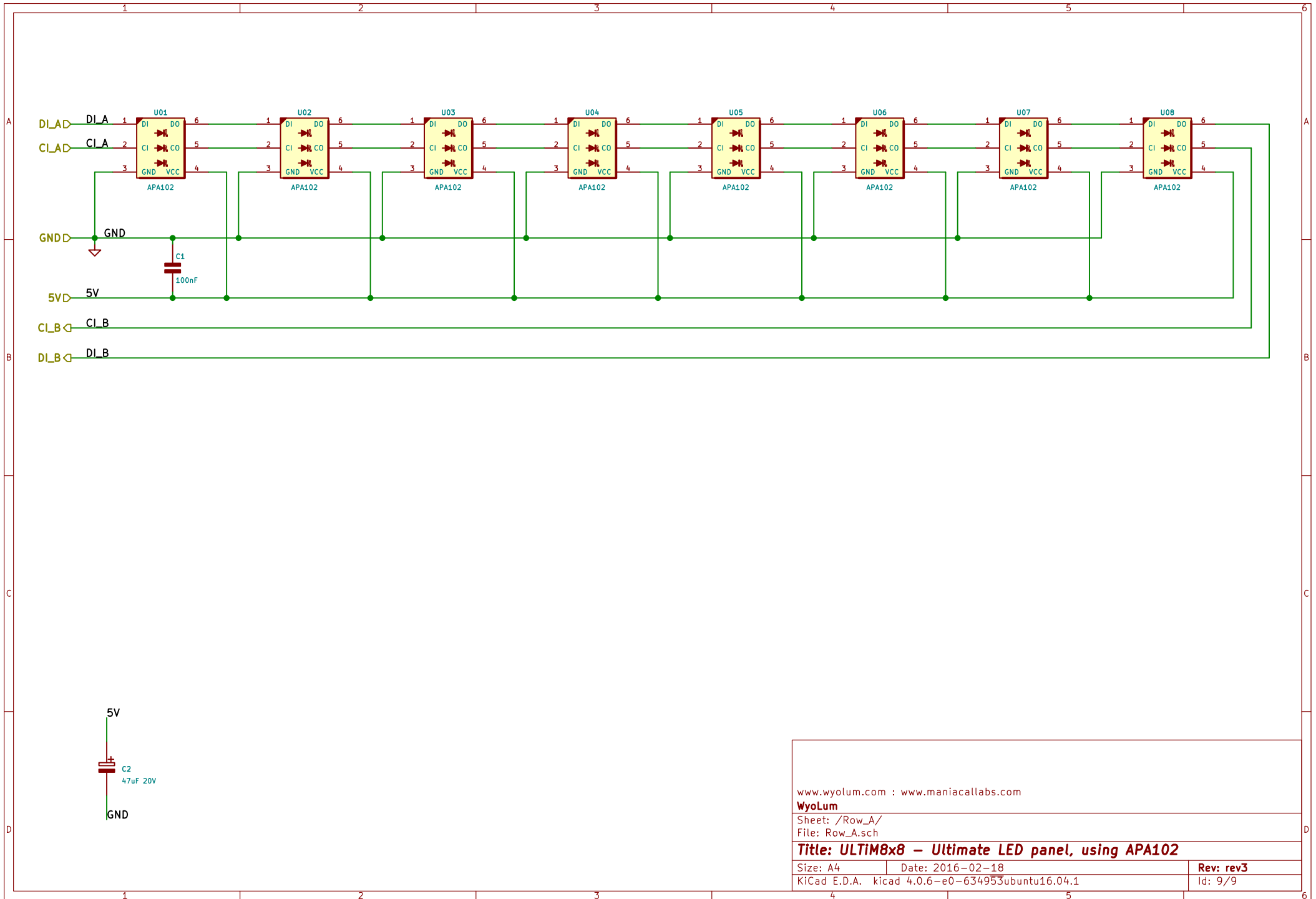
Title: ULTIM8x8 – Ultimate LED panel, using APA102

Size: A4 Date: 2016-02-18

Rev: rev3

KiCad E.D.A. kicad 4.0.6-e0-634953ubuntu16.04.1

Id: 8/9



www.wyolum.com : www.maniacallabs.com

WyoLum

Sheet: /Row_A/

File: Row_A.sch

Title: ULTiM8x8 – Ultimate LED panel, using APA102

Size: A4

Date: 2016-02-18

Rev: rev3

KiCad E.D.A. kicad 4.0.6-e0-634953ubuntu16.04.1

Id: 9/9