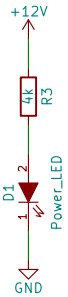
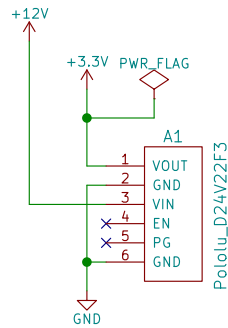


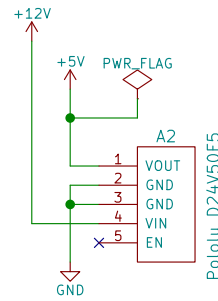
### Power Indicator



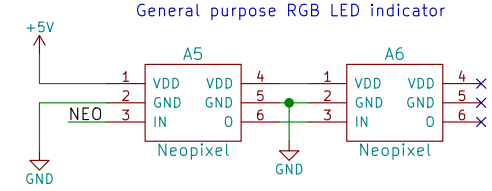
### 3.3V Regulator



### 5V Regulator

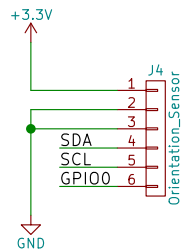


### Neopixel LEDs

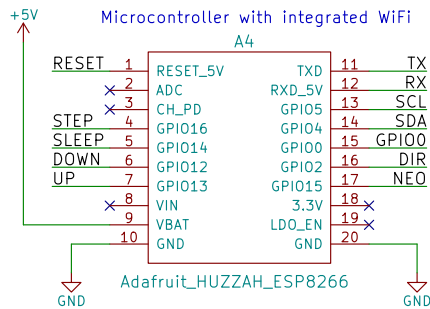


### Orientation Sensor

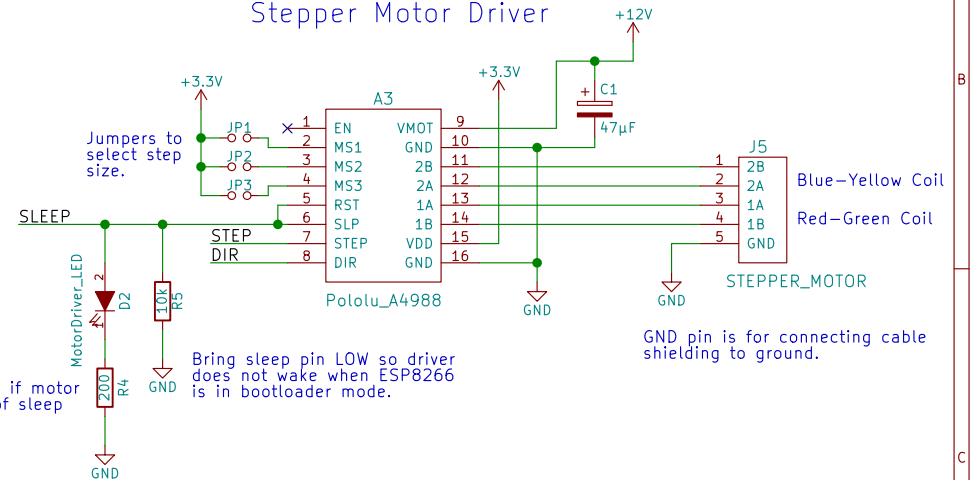
Measuring blade angle of blinds. Feedback for stepper motor.



### ESP8266

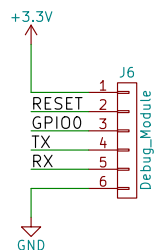


### Stepper Motor Driver



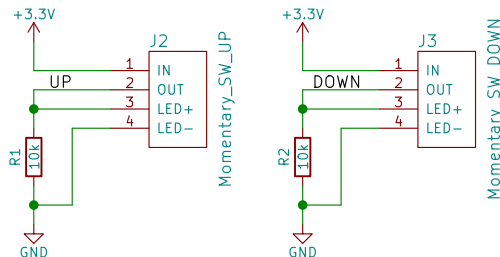
### ESP8266 Debug Module

Debug module allows for accessing the serial lines of the ESP8266. It also has two buttons so that the ESP8266 can be reset and/or put into bootloader mode.



### Up/Down Buttons

Panel mounted LED pushbuttons.



Paul Fjare

Sheet: /  
File: blinds.sch

**Title: Wifi Blinds Module**

Size: A4 Date: 2017-05-10

KiCad E.D.A. kicad 4.0.2-stable

Rev: A

Id: 1/1