

---

**Application Note AN-2030**

---

**Digital Diagnostic Monitoring Interface  
for SFP and SFP+ Optical Transceivers**

---

**1. Scope and Overview**

This document defines an enhanced Digital Diagnostic Monitoring Interface (DDMI) available in Finisar SFP and SFP+ optical transceivers. (Note: the DDMI also applies to legacy GBIC optical transceivers.) The interface allows real time access to device operating parameters, and it includes a system of alarm and warning flags which alerts the host system when particular operating parameters are outside of a factory set normal operating range. The interface is implemented with reference to SFF-8472, "Digital Diagnostic Monitoring Interface for Optical Transceivers". As of this writing, the latest version of SFF-8472 is Revision 11.

The history of this interface is that it is an extension of the serial ID interface defined in the GBIC specification, SFF-0053, as well as the SFP MSA, INF-8074. Both specifications define a 256-byte memory map in the EEPROM, which is accessible over a 2-wire serial interface at the 8 bit address 1010000X (A0h). The SFF-8472 added the DDMI and makes use of the 8 bit address 1010001X (A2h), so the originally defined serial ID memory map remains mostly unchanged. The EEPROM portions of the GBIC specification and the SFP Multi Source Agreement are a subset of the SFF-8472 specification. The complete interface is described in [Section 3](#) below.

The operating and diagnostic information is monitored and reported by a microcontroller inside the transceiver, which is accessed via a 2-wire serial bus (also known as "I<sup>2</sup>C" or "I<sup>2</sup>C" protocol). The transceiver generates this diagnostic data by digitization of internal analog signals. Calibration and alarm threshold data is written during device manufacture. In addition to generating digital readings of internal analog values, the device generates various status bits, based on a comparison between current values and factory preset limits. Its physical characteristics are defined in [Section 4](#).

These digital diagnostic features are implemented in all Finisar transceivers, except for a couple of part numbers that specifically state that they do not have this functionality.

**2. Applicable Documents**

Gigabit Interface Converter (GBIC). SFF document number: SFF-0053, rev. 5.5, September 27, 2000.

Small Form Factor Pluggable (SFP) Transceiver Multisource Agreement (MSA), INF-8074, September 14, 2000.

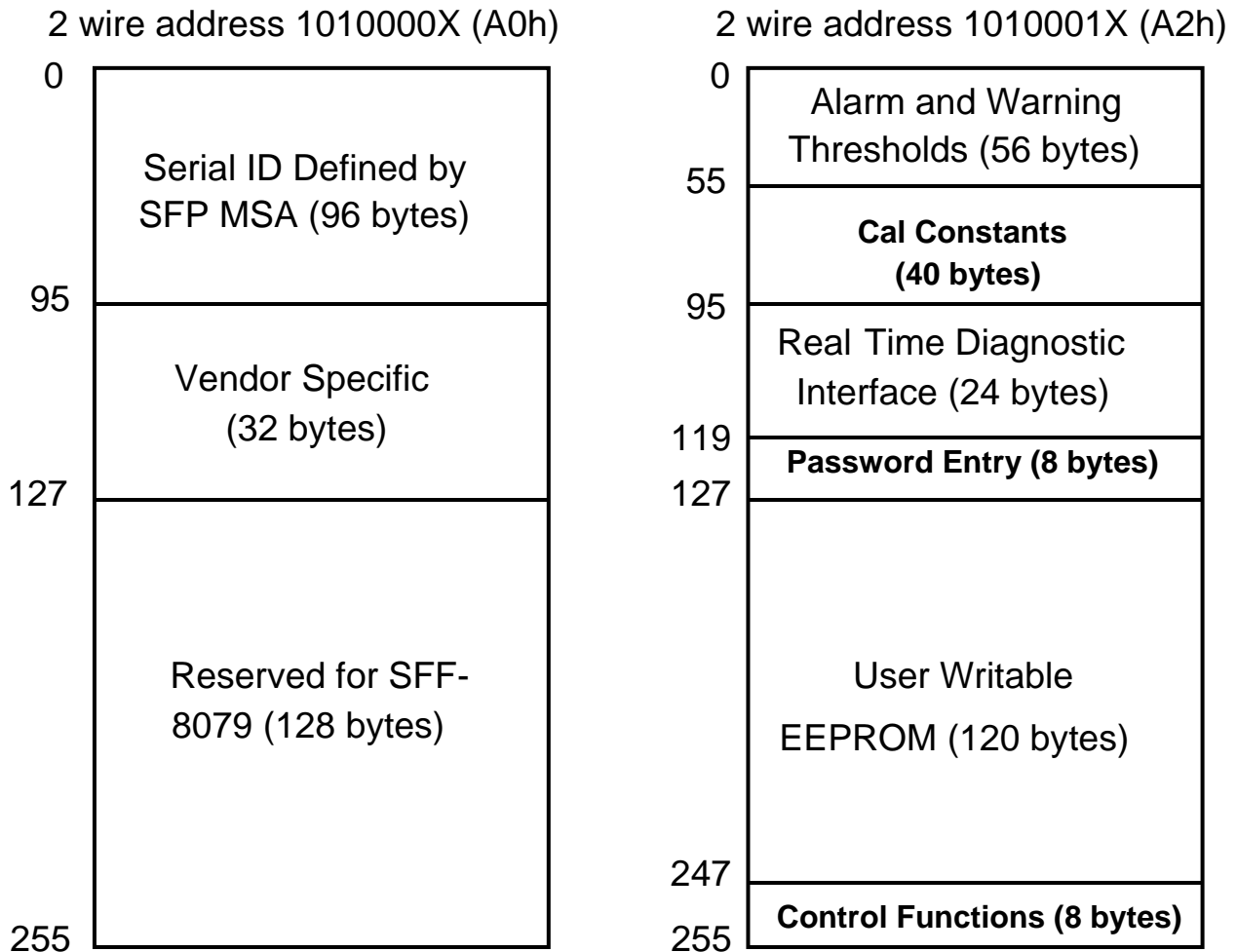
Enhanced Small Form Factor Pluggable Module SFP+, SFF-8431, Revision 4.1. July 6<sup>th</sup>, 2009.

Digital Diagnostic Monitoring Interface for Optical Transceivers: SFF-8472, Draft Revision 11.0, September 14<sup>th</sup>, 2010.

### 3. Enhanced Digital Diagnostic Monitoring Interface Definition

This section describes the memory map defined in the SFF-8472. The SFP MSA section uses the two wire serial bus address 1010000X (A0h) and the enhanced interface uses 1010001X (A2h) to provide diagnostic information about the module's present operating conditions. A memory map is shown in Figure 3.1 below.

**Figure 3.1: Digital Diagnostic Memory Map**



**Specific Data Field Descriptions****Table 3.1 Serial ID: Data Fields – Address A0h**

Data Address	Size (Bytes)	Name of Field	Description of Field
<b>BASE ID FIELDS</b>			
0	1	Identifier	Type of serial transceiver ( <a href="#">see Table 3.2</a> )
1	1	Ext. Identifier	Extended identifier of type of serial transceiver
2	1	Connector	Code for connector type ( <a href="#">see Table 3.4</a> )
3-10	8	Transceiver	Code for electronic compatibility or optical compatibility ( <a href="#">see Table 3.5</a> and <a href="#">Table 3.5a</a> )
11	1	Encoding	Code for serial encoding algorithm ( <a href="#">see Table 3.6</a> )
12	1	BR, Nominal	Nominal bit rate, units of 100 Mbits/sec.
13	1	Rate ID	Type of Rate Select Functionality ( <a href="#">see Table 3.6a</a> )
14	1	Length(9µm) - km	Link length supported for 9/125 µm fiber, units of km
15	1	Length (9µm)	Link length supported for 9/125 µm fiber, units of 100 m
16	1	Length (50µm)	Link length supported for 50/125 µm OM2 fiber, units of 10 m
17	1	Length (62.5µm)	Link length supported for 62.5/125 µm OM1 fiber, units of 10 m
18	1	Length (Copper)	Link length supported for copper and Active Cable, units of meters
19	1	Length (50µm)	Link length supported for 50/125 µm fiber, units of 10 m
20-35	16	Vendor name	SFP vendor name (ASCII)
36	1	Transceiver	Code for electronic for <a href="#">optical compatibility</a> (TBD)
37-39	3	Vendor OUI	SFP vendor IEEE company ID
40-55	16	Vendor PN	Part number provided by SFP vendor (ASCII)
56-59	4	Vendor rev	Revision level for part number provided by vendor (ASCII)
60-61	2	Wavelength	Laser wavelength
62	1	Unallocated	Used for DWDM modules.
63	1	CC_BASE	Check code for Base ID Fields (addresses 0 to 62)
<b>EXTENDED ID FIELDS</b>			
64-65	2	Options	Indicates which optional transceiver signals are implemented ( <a href="#">see Table 3.7</a> )
66	1	BR, max	Upper bit rate margin, units of %
67	1	BR, min	Lower bit rate margin, units of %
68-83	16	Vendor SN	Serial number provided by vendor (ASCII)
84-91	8	Date code	Vendor's manufacturing date code ( <a href="#">see Table 3.8</a> )
92	1	Diagnostic Monitoring Type	Indicates which type of diagnostic monitoring is implemented (if any) in the transceiver ( <a href="#">see Table 3.9</a> )
93	1	Enhanced Options	Indicates which optional enhanced features are implemented (if any) in the transceiver ( <a href="#">see Table 3.10</a> )
94	1	SFF-8472 Compliance	Indicates which revision of SFF-8472 the transceiver complies with. ( <a href="#">see Table 3.12</a> )
95	1	CC_EXT	Check code for the Extended ID Fields (addresses 64 to 94)
<b>VENDOR SPECIFIC ID FIELDS</b>			
96-127	32	Vendor Specific	Vendor Specific EEPROM
128-255	128	Reserved	Reserved for SFF-8079

**Table 3.1a Diagnostics: Data Fields – Address A2h**

Data Address	Size (Bytes)	Name of Field	Description of Field
<b>DIAGNOSTIC AND CONTROL/STATUS FIELDS</b>			
0-39	40	A/W Thresholds	Diagnostic Flag Alarm and Warning Thresholds ( <a href="#">Table 3.15</a> )
40-55	16	Unallocated	
56-91	36	Ext Cal Constants	Diagnostic Calibration Constants for Ext Cal ( <a href="#">Table 3.16</a> )
92-94	3	Unallocated	
95	1	CC_DMI	Check Code for Base Diagnostic Fields 0-94
96-105	10	Diagnostics	Diagnostic Monitor Data (internal or external) ( <a href="#">Table 3.17</a> )
106-109	4	Unallocated	
110	1	Status/Control	Optional Status and Control Bits ( <a href="#">Table 3.17</a> )
111	1	Reserved	Reserved for SFF-8079
112-113	2	Alarm Flags	Diagnostic Alarm Flags Status Bits ( <a href="#">Table 3.18</a> )
114-115	2	Unallocated	
116-117	2	Warning Flags	Diagnostic Warning Flag Status Bits ( <a href="#">Table 3.18</a> )
118-119	2	Ext Status/Control	Extended Module Control and Status Bits ( <a href="#">Table 3.18a</a> )
<b>GENERAL USE FIELDS</b>			
120-127	8	Vendor Specific	Vendor specific memory addresses
128-247	120	User EEPROM	User writeable non-volatile memory
248-255	8	Vendor Control	Vendor specific control addresses

**Identifier**

The identifier value specifies the physical device described by the serial information. This value shall be included in the serial data. The defined identifier values are shown in Table 3.2. Finisar SFP and SFP+ modules have this byte set to 03h. Finisar GBIC modules have this byte set to 01h.

**TABLE 3.2: Identifier values**

<b>Value</b>	<b>Description of physical device</b>
00h	Unknown or unspecified
01h	GBIC
02h	Module/connector soldered to motherboard
03h	SFP or SFP+
04h	Reserved for “300 pin XBI” devices *
05h	Reserved for “XENPAK” devices *
06h	Reserved for “XFP” devices *
07h	Reserved for “XFF” devices *
08h	Reserved for “XFP-E” devices *
09h	Reserved for “XPAK” devices *
0Ah	Reserved for “X2” devices *
0Bh	Reserved for “DWDM-SFP” devices *
0Ch	Reserved for “QSFP” devices *
0Dh	Reserved for “QSFP+” devices *
0Eh	Reserved for “CXP” devices *
0Fh-7Fh	Reserved, Unallocated
80-FFh	Vendor specific

\* These device types are not impacted by this standard and are only shown to avoid multiple industry definitions in this type of “Physical Device” identifier field.

**Extended Identifier**

The extended identifier value provides additional information about the transceiver. The field is set to 04h for all non-custom SFP, SFP+ and GBIC modules indicating serial ID module definition.

**Connector**

The connector value indicates the external connector provided on the interface. This value shall be included in the serial data. The defined connector values are shown in Table 3.4. Note that 01h – 05h are not SFP compatible, and are included for compatibility with GBIC standards. Finisar optical SFP modules currently have this byte set to 07h (LC connector). GBIC modules have the byte set to 01h (SC). Copper SFP’s have this set to 22h (RJ45).

**TABLE 3.4: Connector values**

<b>Value</b>	<b>Description of connector</b>
00h	Unknown or unspecified
01h	SC
02h	Fibre Channel Style 1 copper connector
03h	Fibre Channel Style 2 copper connector
04h	BNC/TNC
05h	Fibre Channel coaxial headers
06h	FiberJack
07h	LC
08h	MT-RJ
09h	MU
0Ah	SG
0Bh	Optical pigtail
0Ch	MPO Parallel Optic
0Dh-1Fh	Reserved, Unallocated
20h	HSSDC II
21h	Copper Pigtail
22h	RJ45
23h-7Fh	Reserved, Unallocated
80-FFh	Vendor specific

### Transceiver

The following bit significant indicators define the electronic or optical interfaces that are supported by the transceiver. At least one bit shall be set in this field. For Fibre Channel transceivers, the Fibre Channel speed, transmission media, transmitter technology, and distance capability shall all be indicated. The SONET Compliance Codes are described in more detail in [Table 3.5a](#).

**Table 3.5: Transceiver codes (Address A0h)**

Data Addr	Bit <sup>1</sup>	Description of transceiver	Data Addr	Bit <sup>1</sup>	Description of transceiver
<b>Unallocated</b>					
36	1-7	Unallocated			
<b>10G Ethernet Compliance Codes</b>			<b>Fibre Channel link length</b>		
36	0	Unallocated	7	7	very long distance (V)
3	7	10G BASE-ER	7	6	short distance (S)
3	6	10G BASE-LRM	7	5	intermediate distance (I)
3	5	10G BASE-LR	7	4	long distance (L)
3	4	10G BASE-SR	7	3	medium distance (M)
<b>Infiniband Compliance Codes</b>			<b>Fibre Channel transmitter technology</b>		
3	3	1X SX	7	2	Shortwave Laser, linear RX (SA)
3	2	1X LX	7	1	Longwave laser (LC)
3	1	1X Copper Active	7	0	Electrical inter-enclosure (EL)
3	0	1X Copper Passive	8	7	Electrical intra-enclosure (EL)
<b>ESCON Compliance Codes</b>			8	6	Shortwave laser w/o OFC (SN)
4	7	ESCON MMF, 1310nm LED	8	5	Shortwave laser w/ OFC (SL)
4	6	ESCON SMF, 1310nm Laser	8	4	Longwave laser (LL)
<b>SONET Compliance Codes</b>			<b>SFP+ Cable Technology</b>		
4	5	OC-192, short reach	8	3	Active Cable
4	4	SONET reach specifier bit 1	8	2	Passive Cable
4	3	SONET reach specifier bit 2	<b>Unallocated</b>		
4	2	OC 48, long reach	8	1	Reserved
4	1	OC 48, intermediate reach	8	0	Reserved
4	0	OC 48 short reach	<b>Fibre Channel transmission media</b>		
5	7	Reserved	9	7	Twin Axial Pair (TW)
5	6	OC 12, single mode long reach	9	6	Shielded Twisted Pair (TP)
5	5	OC 12, single mode inter. reach	9	5	Miniature Coax (MI)
5	4	OC 12 short reach	9	4	Video Coax (TV)
5	3	Reserved	9	3	Multi-mode, 62.5m (M6)
5	2	OC 3, single mode long reach	9	2	Multi-mode, 50 m (M5)
5	1	OC 3, single mode inter. reach	9	1	Reserved
5	0	OC 3, short reach	9	0	Single Mode (SM)
<b>Gigabit Ethernet Compliance Codes</b>			<b>Fibre Channel speed</b>		
6	7	BASE-PX	10	7	1200 MBytes/Sec
6	6	BASE-BX10	10	6	800 MBytes/Sec
6	5	100BASE-FX	10	5	1600 MBytes/Sec
6	4	100BASE-LX/LX10	10	4	400 MBytes/Sec
6	3	1000BASE-T	10	3	Reserved
6	2	1000BASE-CX	10	2	200 MBytes./Sec
6	1	1000BASE-LX	10	1	Reserved
6	0	1000BASE-SX	10	0	100 MBytes/Sec

<sup>1</sup>Bit 7 is the high order bit and is transmitted first in each byte.

The SONET compliance code bits allow the host to determine with which specifications a SONET transceiver complies. For each bit rate defined in Table 3.5 (OC-3, OC-12, OC-48), SONET specifies short reach (SR), intermediate reach (IR), and long reach (LR) requirements. For each of the three data rates, a single short reach (SR) specification is defined. Two variations of intermediate reach (IR-1, IR-2) and three variations of long reach (LR-1, LR-2, and LR-3) are also defined for each bit rate. Byte 4, bits 0-2, and byte 5, bits 0-7 allow the user to determine which of the three reaches has been implemented – short, intermediate, or long. Two additional bits (byte 4, bits 3-4) are necessary to discriminate between different intermediate or long reach variations. These codes are defined in Table 3.5a.

**Table 3.5a: SONET Reach Specifiers**

Speed	Reach	Specifier bit 1 (Byte 4, bit 4)	Specifier bit 2 (Byte 4, bit 3)	Description
OC-3/OC-12/OC-48/OC-192	Short	0	0	SONET SR compliant
OC-3/OC-12/OC-48/OC-192	Short	1	0	SONET SR-1 compliant
OC-3/OC-12/OC-48	Intermediate	1	0	SONET IR-1 compliant
OC-3/OC-12/OC-48	Intermediate	0	1	SONET IR-2 compliant
OC-3/OC-12/OC-48	Long	1	0	SONET LR-1 compliant
OC-3/OC-12/OC-48	Long	0	1	SONET LR-2 compliant
OC-3/OC-12/OC-48	Long	1	1	SONET LR-3 compliant

### Encoding

The encoding value indicates the serial encoding mechanism that is the nominal design target of the particular SFP. The value shall be contained in the serial data. The defined encoding values are shown in Table 3.6. Finisar Gigabit Ethernet/Fibre Channel transceivers have this byte set to 01h (8B/10B encoding), and SONET transceivers (including all SONET multi-rate transceivers) are set to 05h (SONET Scrambled). 10G SFP+ transceivers are set to 06h (64B/66B).

**Table 3.6: Encoding codes**

Code	Description of encoding mechanism
00h	Unspecified
01h	8B10B
02h	4B5B
03h	NRZ
04h	Manchester
05h	SONET Scrambled
06h	64B/66B
07h –FFh	Reserved



**BR, nominal**

The nominal bit rate (BR, nominal) is specified in units of 100 Megabits per second, rounded off to the nearest 100 Megabits per second. The bit rate includes those bits necessary to encode and delimit the signal as well as those bits carrying data information. A value of 0 indicates that the bit rate is not specified and must be determined from the transceiver technology. The actual information transfer rate will depend on the encoding of the data, as defined by the encoding value.

**Rate Identifier**

The Rate Identifier refers to several (optional) industry standard definitions of Rate Select or Application Select control behaviors, intended to manage transceiver optimization for multiple operating rates.

**Table 3.6a: Rate Identifier**

<b>Value</b>	<b>Description of Rate Selection Functionality</b>
00h	Unspecified
01h	SFF-8079 (4/2/1G Rate Select and AS0/AS1)
02h	SFF-8431 (8/4/2G RX Rate Select Only)
03h	Unspecified
04h	SFF-8431 (8/4/2G TX Rate Select Only)
05h	Unspecified
06h	SFF-8431 (8/4/2G Independent TX and RX Rate Select)
07h	Unspecified
08h	FC-PI-5 (16/8/4G RX Rate Select Only) High=16G, Low=8/4G
09h	Unspecified
0Ah	FC-PI-5 (16/8/4G Independent TX and RX Rate Select) High=16G, Low=8/4G
0Bh-FFh	Unallocated

**Length (9 $\mu$ )-km**

Note that this field is an addition to EEPROM data from the original GBIC definition. This value specifies the link length that is supported by the transceiver while operating in compliance with the applicable standards using single mode fiber. The value is in units of kilometers. A value of 255 means that the transceiver supports a link length greater than 254 km. A value of zero means that the transceiver does not support single mode fiber or that the length information must be determined from the transceiver technology.

**Length (9 $\mu$ )**

This value specifies the link length that is supported by the transceiver while operating in compliance with the applicable standards using single mode fiber. The value is in units of 100 meters. A value of 255 means that the transceiver supports a link length greater than 25.4 km. A value of zero means that the transceiver does not support single mode fiber or that the length information must be determined from the transceiver technology.

**Length (50 $\mu$ , OM2)**

This value specifies the link length that is supported by the transceiver while operating in compliance with the applicable standards using 50 micron multimode OM2 (500MHz\*km at 850nm) fiber. The value is in units of 10 meters. A value of 255 means that the transceiver supports a link length greater than 2.54 km. A value of zero means that the transceiver does not support 50 micron multimode fiber or that the length information must be determined from the transceiver technology.

**Length (62.5 $\mu$ , OM1)**

This value specifies the link length that is supported by the transceiver while operating in compliance with the applicable standards using 62.5 micron multimode OM1 (200MHz\*km at 850nm or 500MHz\*km at 1310nm) fiber. The value is in units of 10 meters. A value of 255 means that the transceiver supports a link length greater than 2.54 km. A value of zero means that the transceiver does not support 62.5 micron multimode fiber or that the length information must be determined from the transceiver technology. It is common for the transceiver to support 50 micron and 62.5 micron (OM1, OM2 and OM3) fiber.

**Length (Active Cable or Copper)**

This value specifies the minimum link length that is supported by the transceiver while operating in compliance with the applicable standards using copper cable. For active cable, this value represents that actual link length. The value is in units of 1 meter. A value of 255 means that the transceiver supports a link length greater than 254 meters. A value of zero means that the transceiver does not support copper or active cables or that the length information must be determined from the transceiver technology. Further information about the cable design, equalization, and connectors is usually required to guarantee meeting a particular length requirement.

**Length (50 $\mu$ , OM3)**

This value specifies the link length that is supported by the transceiver while operating in compliance with the applicable standards using 50 micron multimode OM3 (2000MHz\*km at 850nm) fiber. The value is in units of 10 meters. A value of 255 means that the transceiver supports a link length greater than 2.54 km. A value of zero means that the transceiver does not support 50 micron multimode fiber or that the length information must be determined from the transceiver technology.

**Vendor name**

The vendor name is a 16 character field that contains ASCII characters, left-aligned and padded on the right with ASCII spaces (20h). The vendor name shall be the full name of the corporation, a commonly accepted abbreviation of the name of the corporation, the SCSI company code for the corporation, or the stock exchange code for the corporation. At least one of the vendor name or the vendor OUI fields shall contain valid serial data. Finisar transceivers contain the text string "FINISAR CORP" in this address.

**Code for Optical or Electrical Compatibility**

It is set to 00h in the SFP MSA as well as in SFF-8472. However, this will be used for 10GE compatibility in the future.

**Vendor OUI**

The vendor organizationally unique identifier field (vendor OUI) is a 3-byte field that contains the IEEE Company Identifier for the vendor. A value of all zero in the 3-byte field indicates that the Vendor OUI is unspecified. Finisar transceivers contain the values 00h, 90h and 65h in these addresses.

**Vendor PN**

The vendor part number (vendor PN) is a 16-byte field that contains ASCII characters, left-aligned and padded on the right with ASCII spaces (20h), defining the vendor part number or product name. A value of all zero in the 16-byte field indicates that the vendor PN is unspecified.

**Vendor Rev**

The vendor revision number (vendor rev) is a 4-byte field that contains ASCII characters, left-aligned and padded on the right with ASCII spaces (20h), defining the vendor's product revision number. A value of all zero in the 4-byte field indicates that the vendor rev is unspecified.

**Laser Wavelength**

Nominal transmitter output wavelength at room temperature. This field is a 16 bit value with byte 60 as high order byte and byte 61 as low order byte. The laser wavelength is equal to the the 16 bit integer value in nm. This field allows the user to read the laser wavelength directly, so it is not necessary to infer it from the transceiver "Code for Electronic Compatibility" (bytes 3 – 10). This also allows specification of wavelengths not covered in bytes 3 – 10, such as those used in coarse WDM systems.

**CC\_BASE**

The check code is a one byte code that can be used to verify that the first 64 bytes of serial information in the SFP is valid. The check code shall be the low order 8 bits of the sum of the contents of all the bytes from byte 0 to byte 62, inclusive.

**Options**

The bits in the option field shall specify the options implemented in the transceiver as described in Table 3.7.

**Table 3.7: Option values**

Data Address	Bit	Description of option
64	7-3	Reserved
	2	Cooled Transceiver Declaration (see SFF-8431). A value of zero identifies a conventional uncooled or unspecified laser implementation. A value of one identifies a cooled laser transmitter implementation.
	1	Power Level Declaration (see SFF-8431). A value of zero identifies a Power Level 1 or unspecified requirements. A value of one identifies a Power Level 2 requirement. See Table 3.18a.
	0	Linear Receiver Output Implemented (see SFF-8431). A value of zero identifies a conventional limitin or unspecified receiver output. A value of one identifies a linear receiver output.
65	7-6	Reserved
65	5	Indicates if RATE_SELECT is implemented. NOTE: Lack of implementation does not indicate lack of simultaneous compliance with multiple standard rates. Compliance with particular standards should be determined from Transceiver Code Section ( <a href="#">Table 3.5</a> ). Refer to <a href="#">Table 3.6a</a> for Rate Select functionality type identifiers.
65	4	TX_DISABLE is implemented and disables the serial output.
65	3	TX_FAULT signal implemented. (see SFP MSA)
65	2	Loss of Signal implemented, signal inverted from definition in Table 1 of the SFP MSA. (AKA Signal Detect) NOTE: This is not standard SFP/GBIC behavior and should be avoided, since non-interoperable behavior results.
65	1	Loss of Signal implemented, signal as defined in Table 1 of the SFP MSA. (AKA RX_LOS)
65	0	Reserved

**BR, max**

The upper bit rate limit at which the transceiver will still meet its specifications (BR, max) is specified in units of 1% above the nominal bit rate. A value of zero indicates that this

field is not specified.

### **BR, min**

The lower bit rate limit at which the transceiver will still meet its specifications (BR, min) is specified in units of 1% below the nominal bit rate. A value of zero indicates that this field is not specified.

### **Vendor SN**

The vendor serial number (vendor SN) is a 16 character field that contains ASCII characters, left-aligned and padded on the right with ASCII spaces (20h), defining the vendor's serial number for the transceiver. A value of all zero in the 16-byte field indicates that the vendor PN is unspecified. Finisar normally uses 7 alphanumeric ASCII characters here and the rest are spaces (20h).

### **Date Code**

The date code is an 8-byte field that contains the vendor's date code in ASCII characters. The date code is mandatory. The date code shall be in the format specified by Table 3.8.

**Table 3.8: Date Code**

<b>Data Address</b>	<b>Description of field</b>
84-85	ASCII code, two low order digits of year. (00 = 2000).
86-87	ASCII code, digits of month (01 = Jan through 12 = Dec)
88-89	ASCII code, day of month (01 - 31)
90-91	ASCII code, vendor specific lot code, may be blank

### **Diagnostic Monitoring Type**

“Diagnostic Monitoring Type” is a 1 byte field with 8 single bit indicators describing how diagnostic monitoring is implemented in the particular transceiver ([see Table 3.9](#)).

If bit 6, DDM implemented, is set, RX power monitoring, TX power monitoring, bias current monitoring, supply voltage monitoring and temperature monitoring must all be implemented. Additionally, Alarm and Warning thresholds must be written as specified below at locations 00 to 55 at address A2h. ([see Table 3.9](#))

If bit 5, “**internally calibrated**”, is set, the transceiver reports calibrated values directly in units of current, power etc. If bit 4, “**externally calibrated**”, is set, the reported values are A/D counts which must be converted to real world units using calibration values read using 2 wire serial address 1010001X (A2h) from bytes 55 - 95. Finisar transceivers use both calibration types so it is necessary to read bit 5 in order to properly interpret transceiver data.

Bit 3 indicates whether the received power measurement represents average input optical power or OMA. If the bit is set, average power is monitored. If it is not, OMA is monitored. Finisar transceivers report “**average power**” and thus bit 3 is set.

Bit 2 indicates whether or not a special “address change” sequence (described in SFF-8472) is required. This sequence is NOT required in Finisar modules. Information at both 2-wire addresses (A0h and A2h) may be accessed simply by using the appropriate address during the 2-wire communication sequence.

Finisar SFP/GBIC transceivers thus have **0b01111000** or **0b01101000** written at address 92 if they are internally calibrated, and **0b01011000** written at address 92 if they are externally calibrated. Note that internally calibrated devices can be treated as externally calibrated devices because the external calibration constants are set to 1 or 0 as appropriate.

**Table 3.9: Diagnostic Monitoring Type**

Data Address	Bits	Description
92	7	Reserved for legacy diagnostic implementations. Must be ‘0’ for compliance with Rev 11 or earlier versions.
92	6	Digital diagnostic monitoring implemented (described in Rev.11). Must be ‘1’ for compliance with SFF-8472.
92	5	Internally Calibrated
92	4	Externally Calibrated
92	3	Received power measurement type 0 = OMA, 1 = Average Power
92	2	Address change required see section above.
92	1-0	Reserved

### Enhanced Options

“Enhanced Options” is a 1 byte field with 8 single bit indicators which describe the optional digital diagnostic features implemented in the transceiver. Since transceivers will not necessarily implement all optional features described in this document, the “Enhanced Options” bit field allows the host system to determine which functions are available over the 2 wire serial bus. A ‘1’ indicates that the particular function is implemented in the transceiver. Bits 3 and 6 of byte 110 ([see Table 3.17](#)) allow the user to control the Rate\_Select and TX\_Disable functions. If these functions are not implemented, the bits remain readable and writable, but the transceiver ignores them.

**Table 3.10: Enhanced Options**

Data Address	Bits	Description
93	7	Optional Alarm/warning flags implemented for all monitored quantities (see Table 3.18)
	6	Optional Soft TX_DISABLE control and monitoring implemented
	5	Optional Soft TX_FAULT monitoring implemented
	4	Optional Soft RX_LOS monitoring implemented
	3	Optional Soft RATE_SELECT control and monitoring implemented
	2	Optional Application Select control implemented per SFF-8079
	1	Optional soft Rate Select control implemented per SFF-8431
	0	Reserved

Note that the “soft” control functions - TX\_DISABLE, TX\_FAULT, RX\_LOS, and RATE\_SELECT do not meet the timing requirements specified in the SFP MSA section B3 “Timing Requirements of Control and Status I/O” and the GBIC Specification, revision 5.5, (SFF-8053), section 5.3.1, for their corresponding pins. The soft functions allow a host to poll or set these values over the serial bus as an alternative to monitoring/setting pin values. Timing is vendor specific, but must meet the requirements specified in Table 3.11 below.

**Table 3.11: I/O Timing for Soft Control & Status Functions**

Parameter	Symbol	Min	Max	Units	Conditions
TX_DISABLE assert time	t_off		100	ms	Time from TX_DISABLE bit set <sup>1</sup> until optical output falls below 10% of nominal
TX_DISABLE deassert time	t_on		100	ms	Time from TX_DISABLE bit cleared <sup>1</sup> until optical output rises above 90% of nominal
Time to initialize, including reset of TX_FAULT	t_init		300	ms	From power on or negation of TX_FAULT using TX_DISABLE until transmitter output is stable. <sup>2</sup>
TX_FAULT assert time	t_fault		100	ms	Time from fault to TX_FAULT bit set.
RX_LOS assert time	t_loss_on		100	ms	Time from LOS state to RX_LOS bit set
RX_LOS deassert time	t_loss_off		100	ms	Time from non-LOS state to RX_LOS bit cleared
Rate select change time	t_rate_sel		100 <sup>3</sup>	ms	Time from change of state of Rate Select bit <sup>1</sup> until receiver bandwidth is in conformance with appropriate specification
Serial ID clock rate	f_serial_clock		100	kHz	The majority of SFP/SFP+ transceivers support Fast mode at 400kHz.
Two-wire serial interface diagnostic data ready time	t_data		1000	ms	From power on to data ready, bit 0 of byte 110 set
Two-wire serial interface bus hardware ready time	t_serial		300	ms	Time from power on until module is ready for data transmission over the two-wire serial bus

Optional. Power Level 2 assert time per SFF-8431	t_power _leve2		300	ms	Time from Power Level 2 enable bit set until module operation is stable. See Table 3.18a for control bit.
<sup>1</sup> measured from falling clock edge after stop bit of write transaction. <sup>2</sup> See Gigabit Interface Converter (GBIC). SFF-8053, rev 5.5, September 27, 2000. <sup>3</sup> The T11.2 committee, as part of its FC-PI-2 standardization effort has advise that a 1ms max is required to be compatible with auto-negotiation algorithms documented in the FC-FS specification.					

### SFF-8472 Compliance

Byte 94 contains an unsigned integer that indicates which feature set(s) are implemented in the transceiver.

**Table 3.12: SFF-8472 Compliance**

Data Address	Value	Interpretation
94	00h	Digital diagnostic functionality not included or undefined.
	01h	Includes functionality described in Rev 9.3 SFF-8472.
	02h	Includes functionality described in Rev 9.5 SFF-8472.
	03h	Includes functionality described in Rev 10.2 SFF-8472.
	04h	Includes functionality described in Rev 10.4 SFF-8472.
	05h	Includes functionality described in Rev 11.0 SFF-8472.
	06h-FFh	TBD

### CC\_EXT

The check code is a one byte code that can be used to verify that the first 32 bytes of extended serial information in the EEPROM is valid. The check code shall be the low order 8 bits of the sum of the contents of all the bytes from byte 64 to byte 94, inclusive.

### Diagnostics

2 wire serial bus address 1010001X (A2h) is used to access measurements of transceiver temperature, internally measured supply voltage, TX bias current, TX output power, received optical power, and two additional quantities to be defined in the future.

The values are interpreted differently depending upon the option bits set at address 92. If bit 5 “internally calibrated” is set, the values are calibrated absolute measurements, which should be interpreted according to the section “Internal Calibration” below. If bit 4 “externally calibrated” is set, the values are A/D counts, which are converted into real units per the subsequent section titled “External Calibration”.

Measured parameters are reported in 16 bit data fields, i.e., two concatenated bytes. To guarantee coherency of the diagnostic monitoring data, the host is required to retrieve any multi-byte fields from the diagnostic monitoring data structure (IE: Rx Power MSB - byte 104 in A2h, Rx Power LSB - byte 105 in A2h) by the use of a single two-byte read sequence across the serial interface.

Measurements are calibrated over specified device operating temperature and voltage and should be interpreted as defined below. Alarm and warning threshold values should be interpreted in the same manner as real time 16 bit data.



**Internal Calibration**

- 1) Internally measured transceiver temperature. Represented as a 16 bit signed two's complement value in increments of 1/256 degrees Celsius, yielding a total range of –128°C to +128°C. Temperature measurement is valid from –40°C to +125°C with a typical accuracy of  $\pm 3^\circ\text{C}$ . See Tables 3.13 and 3.14 below for examples of temperature format.
- 2) Internally measured transceiver supply voltage. Represented as a 16 bit unsigned integer with the voltage defined as the full 16 bit value (0 – 65535) with LSB equal to 100  $\mu\text{Volt}$ , yielding a total range of 0 to +6.55 Volts. Accuracy is  $\pm 3\%$ .
- 3) Measured TX bias current in  $\mu\text{A}$ . Represented as a 16 bit unsigned integer with the current defined as the full 16 bit value (0 – 65535) with LSB equal to 2  $\mu\text{A}$ , yielding a total range of 0 to 131 mA. Accuracy is  $\pm 10\%$ .
- 4) Measured TX output power in mW. Represented as a 16 bit unsigned integer with the power defined as the full 16 bit value (0 – 65535) with LSB equal to 0.1  $\mu\text{W}$ , yielding a total range of 0 to 6.5535 mW ( $\sim -40$  to +8.2 dBm). Data is factory calibrated to absolute units using the most representative fiber output type. Accuracy is  $\pm 3\text{dB}$ . Data is not valid when the transmitter is disabled.
- 5) Measured RX received average optical power in mW. Represented as a 16 bit unsigned integer with the power defined as the full 16 bit value (0 – 65535) with LSB equal to 0.1  $\mu\text{W}$ , yielding a total range of 0 to 6.5535 mW ( $\sim -40$  to +8.2 dBm). Absolute accuracy is dependent upon the exact optical wavelength. For the specified wavelength, accuracy is  $\pm 3\text{dB}$ . See module specification sheet for range over which accuracy requirement is met.

Tables 3.13 and 3.14 below illustrate the 16 bit signed two's complement format used for temperature reporting. The most significant bit (D7) represents the sign, which is zero for positive temperatures and one for negative temperatures.

**Table 3.13: Bit weights ( $^\circ\text{C}$ ) for temperature reporting registers**

Most Significant Byte (byte 96)								Least Significant Byte (byte 97)							
D7	D6	D5	D4	D3	D2	D1	D0	D7	D6	D5	D4	D3	D2	D1	D0
SIGN	64	32	16	8	4	2	1	1/2	1/4	1/8	1/16	1/32	1/64	1/128	1/256

**Table 3.14: Digital Temperature Format**

Temperature		BINARY		HEXADECIMAL	
DECIMAL	FRACTION	HIGH BYTE	LOW BYTE	HIGH BYTE	LOW BYTE
+127.996	+127 255/256	01111111	11111111	7F	FF
+125.000	+125	01111101	00000000	7D	00
+25.000	+25	00011001	00000000	19	00
+1.004	+1 1/256	00000001	00000001	01	01
+1.000	+1	00000001	00000000	01	00
+0.996	+255/256	00000000	11111111	00	FF
+0.004	+1/256	00000000	00000001	00	01
0.000	0	00000000	00000000	00	00
-0.004	-1/256	11111111	11111111	FF	FF
-1.000	-1	11111111	00000000	FF	00
-25.000	-25	11100111	00000000	E7	00
-40.000	-40	11011000	00000000	D8	00
-127.996	-127 255/256	10000000	00000001	80	01
-128.000	-128	10000000	00000000	80	00

### External Calibration

Measurements are raw A/D values and must be converted to real units using calibration constants stored in EEPROM locations 56 – 95 at 2 wire serial bus address A2h (see Table 3.16). Calibration is valid over specified device operating temperature and voltage. Alarm and warning threshold values should be interpreted in the same manner as real time 16 bit data.

1) Internally measured transceiver temperature. Module temperature,  $T$ , is given by the following equation:  $T(C) = T_{\text{slope}} * T_{\text{AD}}$  (16 bit signed two's complement value) +  $T_{\text{offset}}$ . The result is in units of 1/256C, yielding a total range of –128C to +128C. See Table 3.16 for locations of  $T_{\text{SLOPE}}$  and  $T_{\text{OFFSET}}$ . Temperature measurement is valid from –40°C to +125°C with a typical accuracy of  $\pm 3^\circ\text{C}$ . See Tables 3.13 and 3.14 above for examples of temperature format.

2) Internally measured transceiver supply voltage. Module internal supply voltage,  $V$ , is given in microvolts by the following equation:  $V(\mu\text{V}) = V_{\text{SLOPE}} * V_{\text{AD}}$  (16 bit unsigned integer) +  $V_{\text{OFFSET}}$ . The result is in units of 100 $\mu\text{V}$ , yielding a total range of 0 – 6.55V. See Table 3.16 for locations of  $V_{\text{SLOPE}}$  and  $V_{\text{OFFSET}}$ . Accuracy is  $\pm 3\%$ .

3) Measured transmitter laser bias current. Module laser bias current,  $I$ , is given by the following equation:  $I(\mu\text{A}) = I_{\text{SLOPE}} * I_{\text{AD}}$  (16 bit unsigned integer) +  $I_{\text{OFFSET}}$ . This result is in units of 2  $\mu\text{A}$ , yielding a total range of 0 to 131 mA. See Table 3.16 for locations of  $I_{\text{SLOPE}}$  and  $I_{\text{OFFSET}}$ . Accuracy is  $\pm 10\%$ .

4) Measured coupled TX output power. Module transmitter coupled output power, TX\_PWR, is given in  $\mu\text{W}$  by the following equation:  $\text{TX\_PWR}(\mu\text{W}) = \text{TX\_PWR}_{\text{SLOPE}} * \text{TX\_PWR}_{\text{AD}}$  (16 bit unsigned integer) +  $\text{TX\_PWR}_{\text{OFFSET}}$ . This result is in units of 0.1 $\mu\text{W}$  yielding a total range of 0 – 6.5mW. See Table 3.16 for locations of  $\text{TX\_PWR}_{\text{SLOPE}}$  and  $\text{TX\_PWR}_{\text{OFFSET}}$ . Data is factory calibrated to absolute units using the most representative fiber output type. Accuracy is  $\pm 3\text{dB}$ . Data is not valid when the transmitter is disabled.

5) Measured received optical power. Received power, RX\_PWR, is given in  $\mu\text{W}$  by the following equation:

$$\text{Rx\_PWR} (\mu\text{W}) = \text{Rx\_PWR}(4) * \text{Rx\_PWR}_{\text{AD}}^4 (16 \text{ bit unsigned integer}) + \text{Rx\_PWR}(3) * \text{Rx\_PWR}_{\text{AD}}^3 (16 \text{ bit unsigned integer}) + \text{Rx\_PWR}(2) * \text{Rx\_PWR}_{\text{AD}}^2 (16 \text{ bit unsigned integer}) + \text{Rx\_PWR}(1) * \text{Rx\_PWR}_{\text{AD}} (16 \text{ bit unsigned integer}) + \text{Rx\_PWR}(0)$$

The result is in units of  $0.1\mu\text{W}$  yielding a total range of 0 – 6.5mW. See Table 3.16 for locations of Rx\_PWR (4-0). Absolute accuracy is dependent upon the exact optical wavelength. For the specified wavelength, accuracy shall be better than  $\pm 3\text{dB}$  over specified temperature and voltage. See module specification sheet for range over which accuracy requirement is met.

### Alarm and Warning Thresholds

Each A/D quantity has a corresponding high alarm, low alarm, high warning and low warning threshold. These factory preset values allow the user to determine when a particular value is outside of “normal” limits. These values vary with different technologies and implementations.

**Table 3.15: Alarm and Warning Thresholds (2-Wire Address A2h)**

Address	# Bytes	Name	Description
00-01	2	Temp High Alarm	MSB at low address
02-03	2	Temp Low Alarm	MSB at low address
04-05	2	Temp High Warning	MSB at low address
06-07	2	Temp Low Warning	MSB at low address
08-09	2	Voltage High Alarm	MSB at low address
10-11	2	Voltage Low Alarm	MSB at low address
12-13	2	Voltage High Warning	MSB at low address
14-15	2	Voltage Low Warning	MSB at low address
16-17	2	Bias High Alarm	MSB at low address
18-19	2	Bias Low Alarm	MSB at low address
20-21	2	Bias High Warning	MSB at low address
22-23	2	Bias Low Warning	MSB at low address
24-25	2	TX Power High Alarm	MSB at low address
26-27	2	TX Power Low Alarm	MSB at low address
28-29	2	TX Power High Warning	MSB at low address
30-31	2	TX Power Low Warning	MSB at low address
32-33	2	RX Power High Alarm	MSB at low address
34-35	2	RX Power Low Alarm	MSB at low address
36-37	2	RX Power High Warning	MSB at low address
38-39	2	RX Power Low Warning	MSB at low address
40-55	16	Reserved	Reserved for future monitored quantities

### Calibration Constants

**TABLE 3.16: Calibration constants for External Calibration Option (2 Wire Address A2h)**

Address	# Bytes	Name	Description
56-59	4	Rx_PWR(4)	Single precision floating point calibration data - Rx optical power. Bit 7 of byte 56 is MSB. Bit 0 of byte 59 is LSB. Rx_PWR(4) is set to zero for “internally calibrated” devices.
60-63	4	Rx_PWR(3)	Single precision floating point calibration data - Rx optical power. Bit 7 of byte 60 is MSB. Bit 0 of byte 63 is LSB. Rx_PWR(3) is set to zero for “internally calibrated” devices.
64-67	4	Rx_PWR(2)	Single precision floating point calibration data, Rx optical power. Bit 7 of byte 64 is MSB, bit 0 of byte 67 is LSB. Rx_PWR(2) is set to zero for “internally calibrated” devices.
68-71	4	Rx_PWR(1)	Single precision floating point calibration data, Rx optical power. Bit 7 of byte 68 is MSB, bit 0 of byte 71 is LSB. Rx_PWR(1) is set to 1 for “internally calibrated” devices.
72-75	4	Rx_PWR(0)	Single precision floating point calibration data, Rx optical power. Bit 7 of byte 72 is MSB, bit 0 of byte 75 is LSB. Rx_PWR(0) is set to zero for “internally calibrated” devices.
76-77	2	Tx_I(Slope)	Fixed decimal (unsigned) calibration data, laser bias current. Bit 7 of byte 76 is MSB, bit 0 of byte 77 is LSB. Tx_I(Slope) is set to 1 for “internally calibrated” devices.
78-79	2	Tx_I(Offset)	Fixed decimal (signed two’s complement) calibration data, laser bias current. Bit 7 of byte 78 is MSB, bit 0 of byte 79 is LSB. Tx_I(Offset) is set to zero for “internally calibrated” devices.
80-81	2	Tx_PWR(Slope)	Fixed decimal (unsigned) calibration data, transmitter coupled output power. Bit 7 of byte 80 is MSB, bit 0 of byte 81 is LSB. Tx_PWR(Slope) is set to 1 for “internally calibrated” devices.
82-83	2	Tx_PWR(Offset)	Fixed decimal (signed two’s complement) calibration data, transmitter coupled output power. Bit 7 of byte 82 is MSB, bit 0 of byte 83 is LSB. Tx_PWR(Offset) is set to zero for “internally calibrated” devices.
84-85	2	T (Slope)	Fixed decimal (unsigned) calibration data, internal module temperature. Bit 7 of byte 84 is MSB, bit 0 of byte 85 is LSB. T(Slope) is set to 1 for “internally calibrated” devices.
86-87	2	T (Offset)	Fixed decimal (signed two’s complement) calibration data, internal module temperature. Bit 7 of byte 86 is MSB, bit 0 of byte 87 is LSB. T(Offset) is set to zero for “internally calibrated” devices.
88-89	2	V (Slope)	Fixed decimal (unsigned) calibration data, internal module supply voltage. Bit 7 of byte 88 is MSB, bit 0 of byte 89 is LSB. V(Slope) is set to 1 for “internally calibrated” devices.
90-91	2	V (Offset)	Fixed decimal (signed two’s complement) calibration data, internal module supply voltage. Bit 7 of byte 90 is MSB. Bit 0 of byte 91 is LSB. V(Offset) is set to zero for “internally calibrated” devices.
92-94	3	Reserved	Reserved
95	1	Checksum	Byte 95 contains the low order 8 bits of the sum of bytes 0 – 94.

The slope constants at addresses 76, 80, 84, and 88, are unsigned fixed-point binary numbers. The slope will therefore always be positive. The binary point is in between the upper and lower bytes, i.e., between the eighth and ninth most significant bits. The most significant byte is the integer portion in the range 0 to +255. The least significant byte represents the fractional portion in the range of 0.00391 (1/256) to 0.9961 (255/256). The smallest real number that can be represented by this format is 0.00391 (1/256); the largest real number that can be represented using this format is 255.9961 (255 + 255/256). Slopes are defined, and conversion formulas found, in the “External Calibration” section. Examples of this format are illustrated below:

**Table 3.16a: Unsigned fixed-point binary format for slopes**

Decimal Value	Binary Value		Hexadecimal Value	
	MSB	LSB	High Byte	Low Byte
0.0000	00000000	00000000	00	00
0.0039	00000000	00000001	00	01
1.0000	00000001	00000000	01	00
1.0313	00000001	00001000	01	08
1.9961	00000001	11111111	01	FF
2.0000	00000010	00000000	02	00
255.9921	11111111	11111110	FF	FE
255.9961	11111111	11111111	FF	FF

The calibration offsets are 16-bit signed two’s complement binary numbers. The offsets are defined by the formulas in the “External Calibration” section. The least significant bit represents the same units as described above under “Internal Calibration” for the corresponding analog parameter, e.g., 2µA for bias current, 0.1µW for optical power, etc. The range of possible integer values is from +32767 to -32768. Examples of this format are shown below.

**Table 3.16b: Format for offsets**

Decimal Value	Binary Value		Hexadecimal Value	
	High Byte	Low Byte	High Byte	Low Byte
+32767	01111111	11111111	7F	FF
+3	00000000	00000011	00	03
+2	00000000	00000010	00	02
+1	00000000	00000001	00	01
0	00000000	00000000	00	00
-1	11111111	11111111	FF	FF
-2	11111111	11111110	FF	FE
-3	11111111	11111101	FF	FD
-32768	10000000	00000000	80	00

External calibration of received optical power makes use of single-precision floating-point numbers as defined by *IEEE Standard for Binary Floating-Point Arithmetic*, IEEE Std 754-1985. Briefly, this format utilizes four bytes (32 bits) to represent real numbers. The first and most significant bit is the sign bit; the next eight bits indicate an exponent in the range of +126 to -127; the remaining 23 bits represent the mantissa. The 32 bits are therefore arranged as in Table 3.16c below.

**Table 3.16c: IEEE-754 Single-Precision Floating Point Number Format**

FUNCTION	SIGN	EXPONENT		MANTISSA	
BIT	31	30.....23	22.....	.....0	
BYTE		3	2	1	0
← Most Significant		Least Significant →			

Rx\_PWR(4), as an example, is stored as in Table 3.16d.

**Table 3.16d: Example of Floating Point Representation**

BYTE ADDRESS	CONTENTS	SIGNIFICANCE
56	SEEEEEEE	Most
57	EMMMMMMM	2 <sup>nd</sup> Most
58	MMMMMMMM	2 <sup>nd</sup> Least
59	MMMMMMMM	Least

where S = sign bit; E = exponent bit; M = mantissa bit.

Special cases of the various bit values are reserved to represent indeterminate values such as positive and negative infinity; zero; and “NaN” or not a number. NaN indicates an invalid result. As of this writing, explanations of the IEEE single precision floating point format were posted on the worldwide web at:

<http://www.psc.edu/general/software/packages/ieee/ieee.html>

and

<http://research.microsoft.com/~hollasch/cgindex/coding/ieeefloat.html>.

The actual IEEE standard is available at [www.IEEE.org](http://www.IEEE.org).

### Real Time Diagnostic and Control Registers

**TABLE 3.17: A/D Values and Status Bits (2 Wire Address A2h)**

Byte	Bit	Name	Description
Converted analog values. Calibrated 16 bit data.			
96	All	Temperature MSB	Internally measured module temperature.
97	All	Temperature LSB	
98	All	Vcc MSB	Internally measured supply voltage in transceiver.
99	All	Vcc LSB	
100	All	TX Bias MSB	Internally measured TX Bias Current.
101	All	TX Bias LSB	
102	All	TX Power MSB	Measured TX output power.
103	All	TX Power LSB	
104	All	RX Power MSB	Measured RX input power.
105	All	RX Power LSB	
106	All	Reserved MSB	Reserved for 1 <sup>st</sup> future definition of digitized analog input
107	All	Reserved LSB	Reserved for 1 <sup>st</sup> future definition of digitized analog input
108	All	Reserved MSB	Reserved for 2 <sup>nd</sup> future definition of digitized analog input
109	All	Reserved LSB	Reserved for 2 <sup>nd</sup> future definition of digitized analog input
Optional Status/Control Bits			
110	7	TX Disable State	Digital state of the TX Disable Input Pin. Updated within 100msec of change on pin. This function is implemented in all Finisar transceivers with digital diagnostic capability.
110	6	Soft TX Disable	Read/write bit that allows software disable of laser. Writing ‘1’ disables laser. Turn on/off time is 100 msec max from acknowledgement of serial byte transmission. This bit is “OR’d” with the hard TX_DISABLE pin value. Note, per SFP MSA TX_DISABLE pin is default enabled unless pulled low by hardware. If Soft TX Disable is not implemented, the transceiver ignores the value of this bit. Default power up value is 0.

110	5	RS(1) State	Digital state of SFP input pin AS(1) per SFF-8079 or RS (1) per SFF-8431. Updated within 100ms of change on pin. See A2h Byte 118, Bit 3 for Soft RS(1) Select control information.
110	4	Rate Select State [AKA RS(0)]	Digital state of the SFP Rate Select Input Pin. Updated within 100msec of change on pin. Note: This pin is also known as AS(0) in SFF-8079 and RS(0) in SFF-8431.
110	3	Soft RX Rate Select [AKA RS(0))	Read/write bit that allows software RX rate select. Writing '1' selects full bandwidth operation. This bit is "OR'd with the hard RX RATE_SELECT, AS(0) or RS(0) pin value. Enable/disable time is 100msec max from acknowledgement of serial byte transmission. Soft RX rate select does not meet the autonegotiation requirements specified in FC-FS. Default at power up is zero. If Soft RX Rate Select is not implemented, the transceiver ignores the value of this bit. See Table 3.18a, Byte 118, Bit 3 for Soft RS(1) Select.
110	2	TX Fault State	Digital state of the TX Fault Output Pin. Updated within 100msec of change on pin.
110	1	RX_LOS State	Digital state of the RX_LOS Output Pin. Updated within 100msec of change on pin.
110	0	Data_Ready_Bar	Indicates transceiver has achieved power up and data is ready. Bit remains high until data is ready to be read at which time the device sets the bit low.
111	7-0	Reserved	Reserved.

The Data\_Ready\_Bar bit is high during module power up and prior to the first valid A/D reading. Once the first valid A/D reading occurs, the bit is set low until the device is powered down. The bit must be set low within 1 second of power up.

### Alarm and Warning Flags

Bytes 112 – 117 contain a set of non – latched alarm and warning flags. It is recommended that detection of an asserted flag bit be verified by a second read of the flag at least 100msec later. For users who do not wish to set their own threshold values or read the values in locations 0 - 55, the flags alone can be monitored. Two flag types are defined.

- 1) Alarm flags associated with transceiver temperature, supply voltage, TX bias current, TX output power and received optical power as well as reserved locations for future flags. Alarm flags indicate conditions likely to be associated with an in-operational link and cause for immediate action.
- 2) Warning flags associated with transceiver temperature, supply voltage, TX bias current, TX output power and received optical power as well as reserved locations for future flags. Warning flags indicate conditions outside the normally guaranteed bounds but not necessarily causes of immediate link failures. Certain warning flags may also be defined by the manufacturer as end-of-life indicators (such as for higher than expected bias currents in a constant power control loop).

**Table 3.18: Alarm and Warning Flag Bits (2-Wire Address A2h)**

Reserved Optional Alarm and Warning Flag Bits			
112	7	Temp High Alarm	Set when internal temperature exceeds high alarm level.
112	6	Temp Low Alarm	Set when internal temperature is below low alarm level.
112	5	Vcc High Alarm	Set when internal supply voltage exceeds high alarm level.

112	4	Vcc Low Alarm	Set when internal supply voltage is below low alarm level.
112	3	TX Bias High Alarm	Set when TX Bias current exceeds high alarm level.
112	2	TX Bias Low Alarm	Set when TX Bias current is below low alarm level.
112	1	TX Power High Alarm	Set when TX output power exceeds high alarm level.
112	0	TX Power Low Alarm	Set when TX output power is below low alarm level.
113	7	RX Power High Alarm	Set when Received Power exceeds high alarm level.
113	6	RX Power Low Alarm	Set when Received Power is below low alarm level.
113	5	Reserved Alarm	
113	4	Reserved Alarm	
113	3	Reserved Alarm	
113	2	Reserved Alarm	
113	1	Reserved Alarm	
113	0	Reserved Alarm	
114	All	Reserved	
115	All	Reserved	
116	7	Temp High Warning	Set when internal temperature exceeds high warning level.
116	6	Temp Low Warning	Set when internal temperature is below low warning level.
116	5	Vcc High Warning	Set when internal supply voltage exceeds high warning level.
116	4	Vcc Low Warning	Set when internal supply voltage is below low warning level.
116	3	TX Bias High Warning	Set when TX Bias current exceeds high warning level.
116	2	TX Bias Low Warning	Set when TX Bias current is below low warning level.
116	1	TX Power High Warning	Set when TX output power exceeds high warning level.
116	0	TX Power Low Warning	Set when TX output power is below low warning level.
117	7	RX Power High Warning	Set when Received Power exceeds high warning level.
117	6	RX Power Low Warning	Set when Received Power is below low warning level.
117	5	Reserved Warning	
117	4	Reserved Warning	
117	3	Reserved Warning	
117	2	Reserved Warning	
117	1	Reserved Warning	
117	0	Reserved Warning	
118	All	Reserved	
119	All	Reserved	

### Extended Module Control/Status Bytes

Addresses 118-119 are defined for extended module control and status functions. Depending on usage, the contents may be writable by the host. See [Table 3.7](#) for power level declaration requirement in address 64, byte 1.

**Table 3.18a: Extended Control/Status Memory Addresses**

Byte	Bit	Name	Description
118	4-7	Reserved	Reserved
	3	Soft RS (1) Select	Read/Write bit that allows software TX Rate Control. Writing a one selects full speed TX operation. This bit is "OR'd" with the hard RS (1) pin value. See Table 3.11 for timing requirements. Default at power up is logic zero. If Soft RS(1) is not implemented, the transceiver ignores



			this bit.
	2	Reserved	
	1	Power Level Operation State	Optional: SFF-8431 Power Level (max power dissipation) status A value of zero indicates Power Level 1 operation (1W) A value of one indicates Power Level 2 operation (1.5W)
	0	Power Level Select	Optional: SFF-8431 Power Level (max power dissipation) control bit. A value of zero enables Power Level 1 operation (1W) A value of one enables Power Level 2 operation (1.5W)
119	7-0	Unallocated	

Bytes 123 – 126 contain write-only RAM for entry of a 32 bit password that allows access to user writable EEPROM at this location: A2h bytes 128-247. The default password for Finisar devices is “00 00 00 00”. Once the password has been entered into locations 123 – 126, the User EEPROM Select byte in byte 127 is used to select the A2h write-accessible addresses. See Table 3.19 for the value corresponding to this location. Once the password and the EEPROM select bytes have been written, the corresponding EEPROM location is writable. The EEPROM remains writable until either an incorrect password is written or the module is power cycled. Note that all of the A0h and A2h EEPROM addresses (with the exception of the Password bytes themselves) are readable regardless of password and EEPROM select entry.

**Table 3.19: Password Addresses (2-Wire Address A2h)**

Byte	Bit	Name	Description
120-122	All	Reserved	Reserved
123	All	Password Byte 3	High order byte of 32 bit password
124	All	Password Byte 2	Second highest order byte of 32 bit password
125	All	Password Byte 1	Second lowest byte of 32 bit password
126	All	Password Byte 0	Low order byte of 32 bit password
127	All	User EEPROM Select	‘1’ selects user-writable EEPROM at A2h bytes 128 - 247

The following standard SFP part numbers do not have the default password implemented for write access to A2h: FTLF1518P1xxx and FTLF1519P1xxx.

Bytes 128 – 247 contain user readable/writable EEPROM that is accessed following the steps outlined above. Bytes 248 – 255 are reserved for control functions and should not be written.

**Table 3.20: User EEPROM (2-Wire Address A2h)**

Address	# Bytes	Name	Description
128-247	120	User EEPROM	User-writable/readable EEPROM
248-255	8	Vendor Specific	Vendor specific control functions

## 4. On-board Microcontroller

### Overview

The on-board microcontroller manages all system monitoring functions in the SFP and SFP+ transceiver module.

The microcontroller is accessed through a 2-wire serial interface, utilizing the serial ID pins defined by the SFP MSA:

- **SFP Pin 4 – MOD\_DEF(2):** Serial Data interface (SDA). The serial data pin is for serial data transfer to and from the microcontroller. The pin is open drain and may be wired with other open drain or open collector interfaces.
- **SFP Pin 5 – MOD\_DEF(1):** Serial Clock interface (SCL). The serial clock input is used to clock data into the microcontroller on rising edges and clock data out on falling edges.

### 2-Wire Interface Operation

Clock and Data Transitions: The SDA pin must be pulled high with an external resistor or device on the host side. Data on the SDA pin may only change during SCL low time periods. Data changes during SCL high periods will indicate a start or a stop condition, depending on the conditions discussed below. Refer to the timing diagram Figure 1 for further details. Support from the customer's host board for I2C Clock-Stretching is generally not required with the exception of some legacy SFP products.

Start Condition: A high-to-low transition of SDA with SCL high is a start condition that must precede any other command. Refer to the timing diagram Figure 1 for further details.

Stop Condition: A low-to-high transition of SDA with SCL high is a stop condition. After a read sequence, the stop command places the microcontroller into Standby Mode. Refer to the timing diagram Figure 2 for further details.

Acknowledge Bit: All address bytes and data bytes are transmitted via a serial protocol. The microcontroller pulls SDA low during the ninth clock pulse to acknowledge that it has received each word. When the host acknowledges on the ninth clock pulse, the microcontroller will continue with the next byte of information. If the host does not acknowledge (NACK) the ninth bit, the microcontroller will wait until it gets a new command from the host.

2-Wire Interface Reset: After any interruption in protocol, power loss, or system reset, the following steps reset the microcontroller.

1. Clock up to nine cycles without data transitions.
2. Look for SDA high in each cycle while SCL is high.

Device Addressing: The microcontroller must receive an 8-bit device address word following a start condition to enable a specific device for a read or write operation. The address word is clocked into the microcontroller MSB to LSB. The address word is 1010000Xb, where X is the Read/Write (R/W) bit. If the R/W bit is high (1), a read operation is initiated. If R/W is low (0), a write operation is initiated.

Write Operations: After receiving a matching address byte with the R/W bit set low, the device goes into the write mode of operation. The master must transmit an 8-bit EEPROM memory address to the device to define the address where the data is to be written. After the reception of this byte, the microcontroller will transmit a zero for one clock cycle to acknowledge the receipt of the address. The master must then transmit an 8-bit data word to be written into this address. The microcontroller will again transmit a zero for one clock cycle to acknowledge the receipt of the data. At this point the write has been initiated. The master can terminate the transaction with a stop condition or a restart if desired. The microcontroller enters an internally timed write process  $T_w$  to the EEPROM memory. The microcontroller will not send an acknowledge bit for any two wire communication during an EEPROM write cycle.

The microcontroller is capable of a > 1-byte write, but single-byte writes are recommended to avoid write errors that could occur over page boundaries. A page is any 8-byte block of memory starting with an address evenly divisible by eight.

Read Operations: After receiving a matching address byte with the R/W bit set high, the device goes into the read mode of operation. There are three read operations: current address read, random read and sequential address read, described as follows:

#### *Current Address Read*

The microcontroller has an internal address register that contains the address used during the last read or write operation, incremented by one. This data is maintained as long as  $V_{cc}$  is supplied. If the most recent address was the last byte in memory, then the register resets to the first address.

Once the device address is clocked in and acknowledged by the microcontroller with the R/W bit set to high, the current address data word is clocked out. The master does not respond with a zero, but does generate a stop condition afterwards.

#### *Random Read*

A random read requires a dummy byte write sequence to load in the data word address. Once the device and data address bytes are clocked in by the master, and acknowledged by the microcontroller, the master must generate another start condition. The master now initiates a current address read by sending the device address with the read/write bit set high. The microcontroller will acknowledge the device address and serially clocks out the data byte.

### *Sequential Address Read*

Sequential reads are initiated by either a current address read or a random address read. After the master receives the first data byte, the master responds with an Acknowledge Bit. As long as the microcontroller receives this acknowledge after a byte is read, the master may clock out additional data words from the microcontroller. After reaching address FFh, it resets to address 00h. The sequential read operation is terminated when the master initiates a stop condition or the master does not respond with a zero (ACK).

## **Detailed 2-Wire Serial Port Operation**

This section gives a more detailed description of 2-wire theory of operation.

The 2-wire serial port interface supports a bi-directional data transmission protocol with device addressing. A device that sends data on the bus is defined as a transmitter, and a device receiving data as a receiver. The device that controls the message is called a “master.” The devices that are controlled by the master are “slaves”. The bus must be controlled by a master device that generates the serial clock (SCL), controls the bus access, and generates the START and STOP conditions. The FC operates as a slave on the two-wire bus. Connections to the bus are made via the open-drain I/O lines SDA and SCL already described. The following I/O terminals control the 2-wire serial port: SDA and SCL. Timing diagrams for the 2-wire serial port can be found in Figure 1 and 2 below. Timing information for the 2-wire serial port is provided in the AC Electrical Characteristics Table for 2-wire serial communications at the end of this section.

The following bus protocol has been defined:

- Data transfer may be initiated only when the bus is not busy.
- During data transfer, the data line must remain stable whenever the clock line is HIGH. Changes in the data line while the clock line is HIGH will be interpreted as control signals.

Accordingly, the following bus conditions have been defined:

- 1) Bus not busy: Both data and clock lines remain HIGH.
- 2) Start data transfer: A change in the state of the data line from HIGH to LOW while the clock is HIGH defines a START condition.
- 3) Stop data transfer: A change in the state of the data line from LOW to HIGH while the clock line is HIGH defines the STOP condition.
- 4) Data valid: The state of the data line represents valid data when, after a START condition, the data line is stable for the duration of the HIGH period of the clock signal. The data on the line can be changed during the LOW period of the clock signal. There is one clock pulse per bit of data. Figures 1 and 2 detail how data transfer is accomplished

on the two-wire bus. Depending upon the state of the R/W bit, two types of data transfer are possible.

Each data transfer is initiated with a START condition and terminated with a STOP condition. The number of data bytes transferred between START and STOP conditions are not limited and are determined by the master device. The information is transferred byte-wise and each receiver acknowledges with a 9<sup>th</sup> bit.

Within the bus specifications a regular mode (100 kHz clock rate) and a fast mode (400 kHz clock rate) are defined. The majority of Finisar SFP and SFP+ transceivers work in both modes.

5) Acknowledge: Each receiving device, when addressed, is obliged to generate an Acknowledge after the reception of each byte. The master device must generate an extra clock pulse which is associated with this acknowledge bit.

A device that acknowledges must pull down the SDA line during the acknowledge clock pulse in such a way that the SDA line is a stable LOW during the HIGH period of the Acknowledge related clock pulse. Of course, setup and hold times must be taken into account. A master must signal an end of data to the slave by not generating an acknowledge bit on the last byte that has been clocked out of the slave. In this case, the slave must leave the data line HIGH to enable the master to generate the STOP condition.

1. *Data transfer from a master transmitter to a slave receiver.* The first byte transmitted by the master is the command/control byte. Next follows a number of data bytes. The slave returns an acknowledge bit after each received byte.
2. *Data transfer from a slave transmitter to a master receiver.* The master transmits the 1<sup>st</sup> byte (the command/control byte) to the slave. The slave then returns an acknowledge bit. Next follows a number of data bytes transmitted by the slave to the master. The master returns an acknowledge bit after all received bytes other than the last byte. At the end of the last received byte, a 'not acknowledge' can be returned.

The master device generates all serial clock pulses and the START and STOP conditions. A transfer is ended with a STOP condition or with a repeated START condition. Since a repeated START condition is also the beginning of the next serial transfer, the bus will not be released.

The microcontroller may operate in the following two modes:

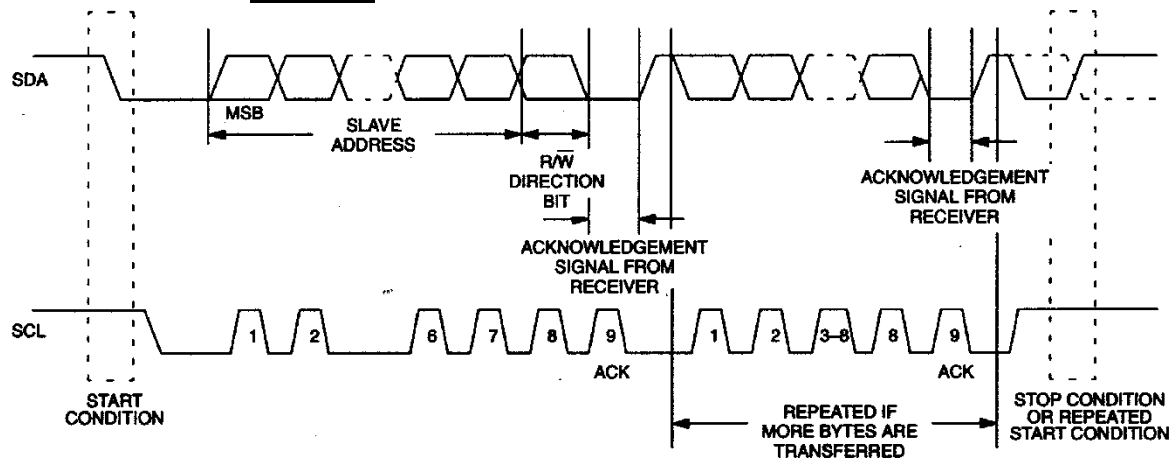
1. *Slave receiver mode:* Serial data and clock are received through SDA and SCL respectively. After each byte is received, an acknowledge bit is transmitted. START and STOP conditions are recognized as the beginning and end of a serial transfer. Address recognition is performed by hardware after reception of the slave (device) address and direction bit.

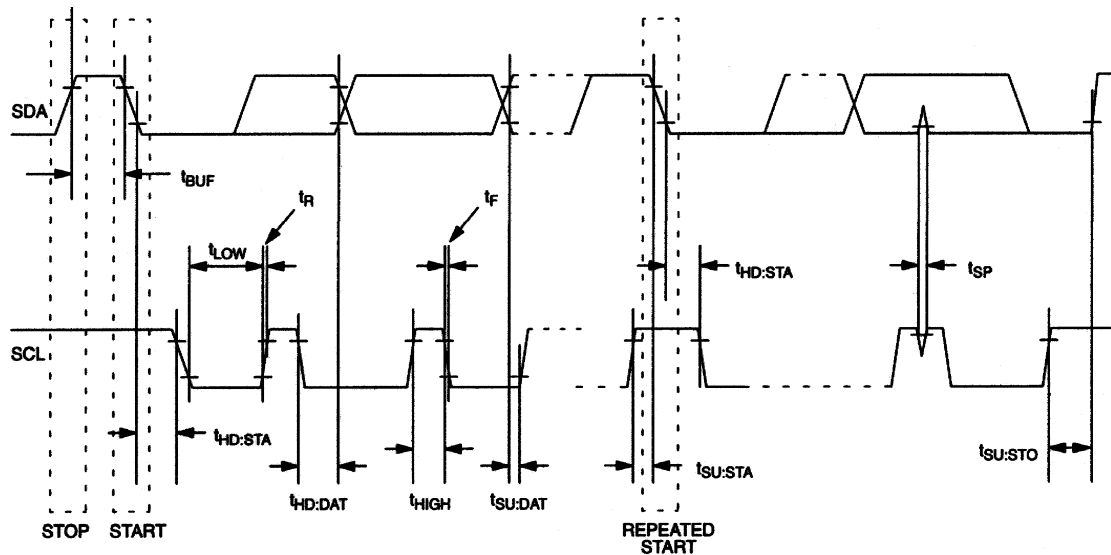
2. *Slave transmitter mode*: The first byte is received and handled as in the slave receiver mode. However, in this mode the direction bit will indicate that the transfer direction is reversed. Serial data is transmitted on SDA by the microcontroller while the serial clock is input on SCL. START and STOP conditions are recognized as the beginning and end of a serial transfer.

*Slave Address*: The command/control byte is the 1<sup>st</sup> byte received following the START condition from the master device. The command/control byte consists of a 4-bit control code. For the microcontroller, this is set as *1010 000b* for read/write operations. The last bit of the command/control byte (R/W) defines the operation to be performed. When set to a 1 a read operation is selected, and when set to a 0 a write operation is selected.

Following the START condition, the microcontroller monitors the SDA bus checking the device type identifier being transmitted. Upon receiving the *chip address* control code, and the read/write bit, the slave device outputs an acknowledge signal on the SDA line.

**Figure 1: 2- Wire Protocol Data Transfer Protocol**



**Figure 2: 2-Wire AC Characteristics**

(Please see definitions in the following pages)

**DC ELECTRICAL CHARACTERISTICS****( $V_{CC} = 3.15V$  to  $3.60V$ )**

PARAMETER	SYMBOL	CONDITION	MIN	TYP	MAX	UNITS	NOTES
Input Leakage (SDA, SCL)	$I_{LI}$		-1		+1	$\mu A$	2
Input Logic 1 (SDA, SCL)	$V_{IH}$		$0.7V_{CC}$		$V_{CC}+0.5$	V	1
Input Logic 0 (SDA, SCL)	$V_{IL}$		$GND-0.5$		$0.3V_{CC}$	V	1
Low Level Output Current (SDA)	$I_{OL1}$	0.4V	3			mA	1
	$I_{OL2}$	0.6V	6			mA	1

**AC ELECTRICAL CHARACTERISTICS****( Vcc = 3.15V to 3.60V)**

PARAMETER	SYMBOL	CONDITION	MIN	TYP	MAX	UNITS	NOTES
SCL clock frequency	f <sub>SCL</sub>		0 0		400 100	kHz	*,3 **
Bus free time between STOP and START condition	t <sub>BUF</sub>		1.3 4.7			μs	*,3 **
Hold time (repeated) START condition	t <sub>HD:STA</sub>		0.6 4.0			μs	*,3,4 **
Low period of SCL clock	t <sub>LOW</sub>		1.3 4.7			μs	*,3 **
High period of SCL clock	t <sub>HIGH</sub>		0.6 4.0			μs	*,3 **
Data hold time	t <sub>HD:DAT</sub>		0 0		0.9	μs	*,3,5,6 **
Data set-up time	t <sub>SU:DAT</sub>		100 250			ns	*,3 **
Start set-up time	t <sub>SU:STA</sub>		0.6 4.7			μs	*,3 **
Rise time of both SDA and SCL signals	t <sub>R</sub>		20+0.1C <sub>B</sub>		300 1000	ns	* **
Fall time of both SDA and SCL signals	t <sub>F</sub>		20+0.1C <sub>B</sub>		300 300	ns	* **
Set-up time for STOP condition	t <sub>SU:STO</sub>		0.6 4.0			μs	* **
Capacitive load for each bus line	C <sub>B</sub>				400	pF	
EEPROM write time	T <sub>w</sub>			10		ms	

\* Fast mode

\*\* Standard mode

**Notes**

1. All voltages are referenced to ground.
2. Input levels equal either Vcc or GND.
3. The output must be configured to source.
4. The output must be configured to have pull-up resistance enabled.
5. This is the time for one comparison. The cycle is multiplied by 3.
6. This parameter is measured with maximum output current.

**For More Information**

Finisar Corporation  
 1389 Moffett Park Drive  
 Sunnyvale, CA 94089-1134  
 Tel. (408) 548-1000  
 Fax (408) 541-6138  
[sales@finisar.com](mailto:sales@finisar.com)  
[www.finisar.com](http://www.finisar.com)