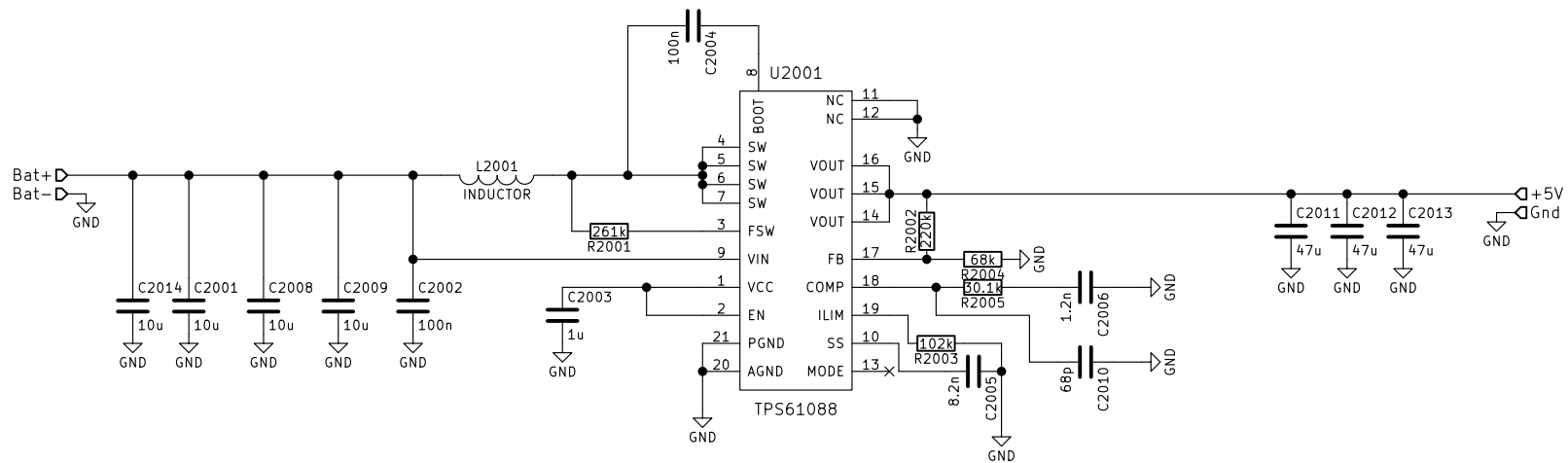


This board provides 5V/4.5A from 6 18650 cells.
 It includes battery protection and supports power-down via I2C and wakeup via eg. RTC alarm.
 License: CC BY-NC-SA 3.0 AT
Wilhelm.Consulting
 Sheet: /
 File: PowerBoard.sch
Title: PowerBoard
 Size: A4 Date: 2017-05-13
 KiCad E.D.A. kicad 4.0.4-stable Rev: V2
 Id: 1/2



This board provides 5V/4.5A from 6 18650 cells.
 It includes battery protection and supports
 power-down via I2C and wakeup via eg. RTC alarm.
 License: CC BY-NC-SA 3.0 AT

Sheet: /Boost/
 File: Boost.sch

Title: PowerBoard

Size: A4	Date: 2017-05-13	Rev: V2
KiCad E.D.A. kicad 4.0.4-stable		Id: 2/2