

ToDo:
 - Add holes for Hollow-Plug
 - Rotate SD Card



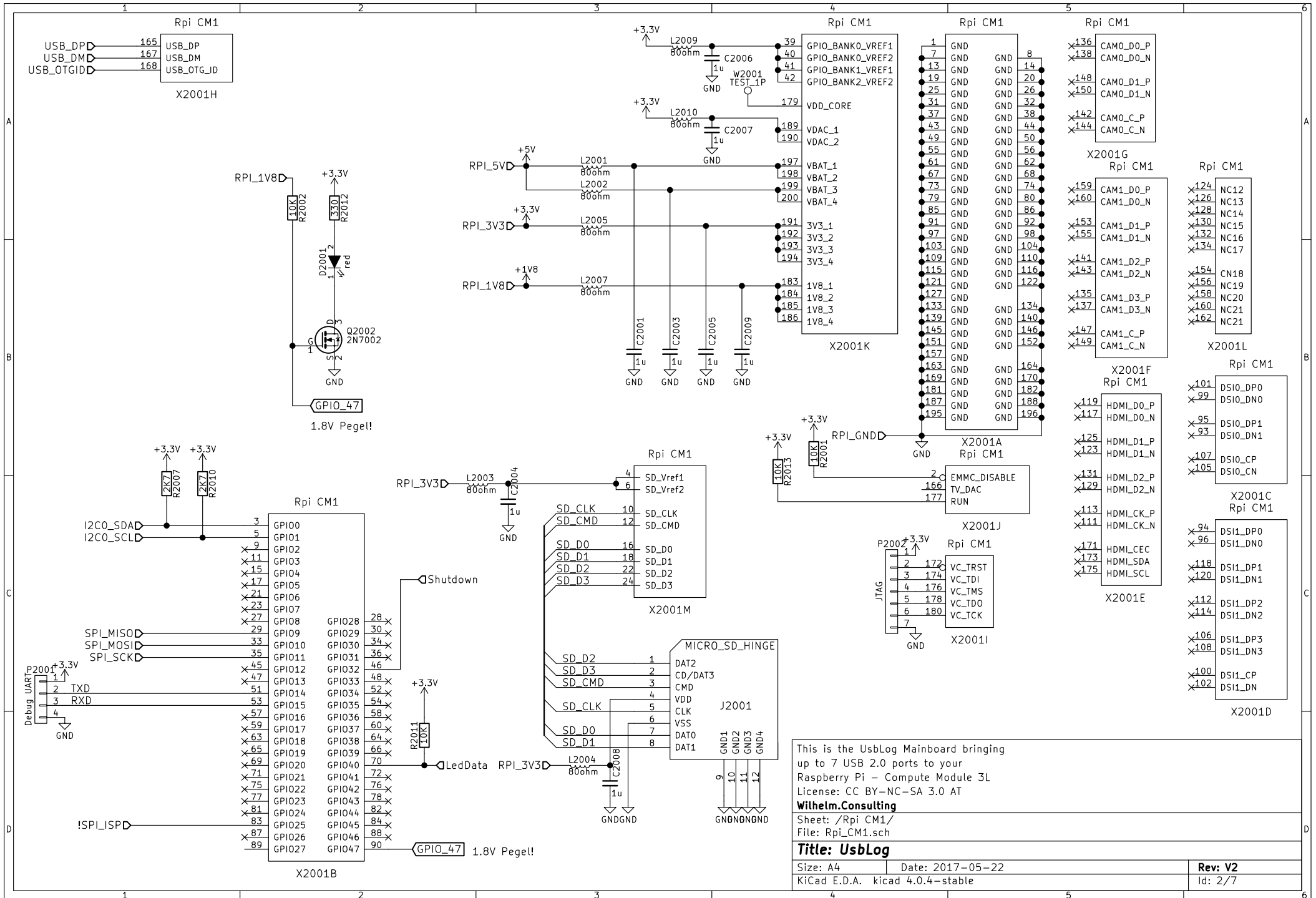
This is the UsbLog Mainboard bringing up to 7 USB 2.0 ports to your Raspberry Pi - Compute Module 3L
 License: CC BY-NC-SA 3.0 AT
Wilhelm.Consulting

Sheet: /
 File: UsbLogger.sch

Title: UsbLog

Size: A4 | Date: 2017-05-22
 KiCad E.D.A. | kicad 4.0.4-stable

Rev: V2
 Id: 1/7



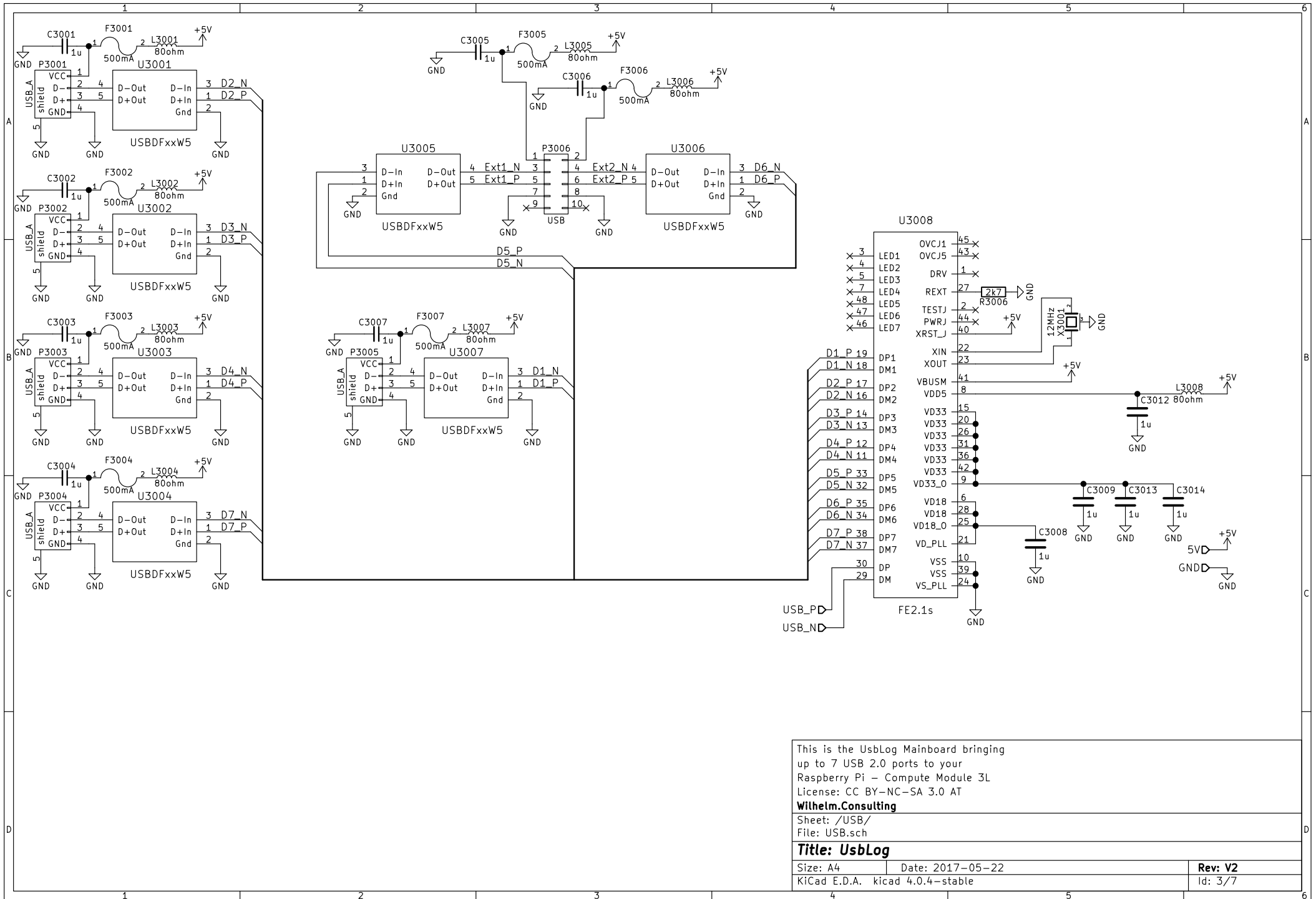
This is the UsbLog Mainboard bringing up to 7 USB 2.0 ports to your Raspberry Pi - Compute Module 3L
 License: CC BY-NC-SA 3.0 AT
Wilhelm.Consulting

Sheet: /Rpi CM1/
 File: Rpi_CM1.sch

Title: UsbLog

Size: A4 Date: 2017-05-22
 KiCad E.D.A. kicad 4.0.4-stable

Rev: V2
 Id: 2/7



This is the UsbLog Mainboard bringing up to 7 USB 2.0 ports to your Raspberry Pi - Compute Module 3L
 License: CC BY-NC-SA 3.0 AT

Wilhelm.Consulting

Sheet: /USB/

File: USB.sch

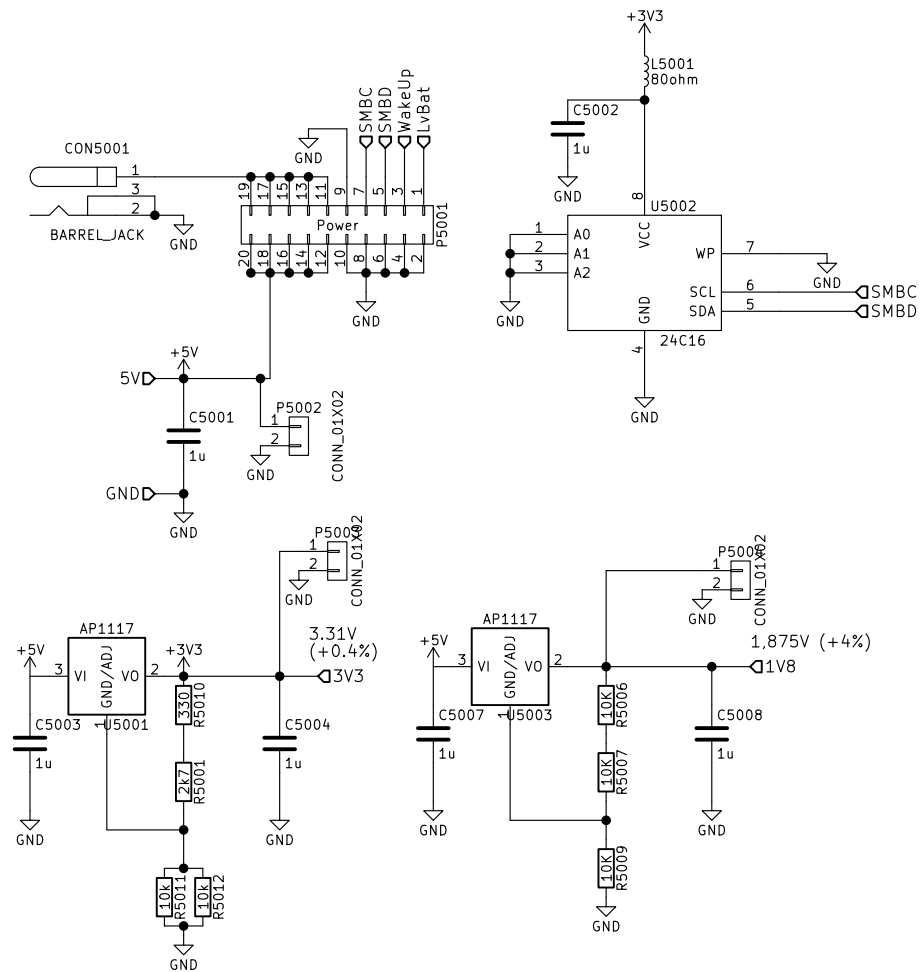
Title: UsbLog

Size: A4 Date: 2017-05-22

KiCad E.D.A. kicad 4.0.4-stable

Rev: V2

Id: 3/7



This is the UsbLog Mainboard bringing up to 7 USB 2.0 ports to your Raspberry Pi - Compute Module 3L
 License: CC BY-NC-SA 3.0 AT

Wilhelm.Consulting

Sheet: /Power/
 File: Power.sch

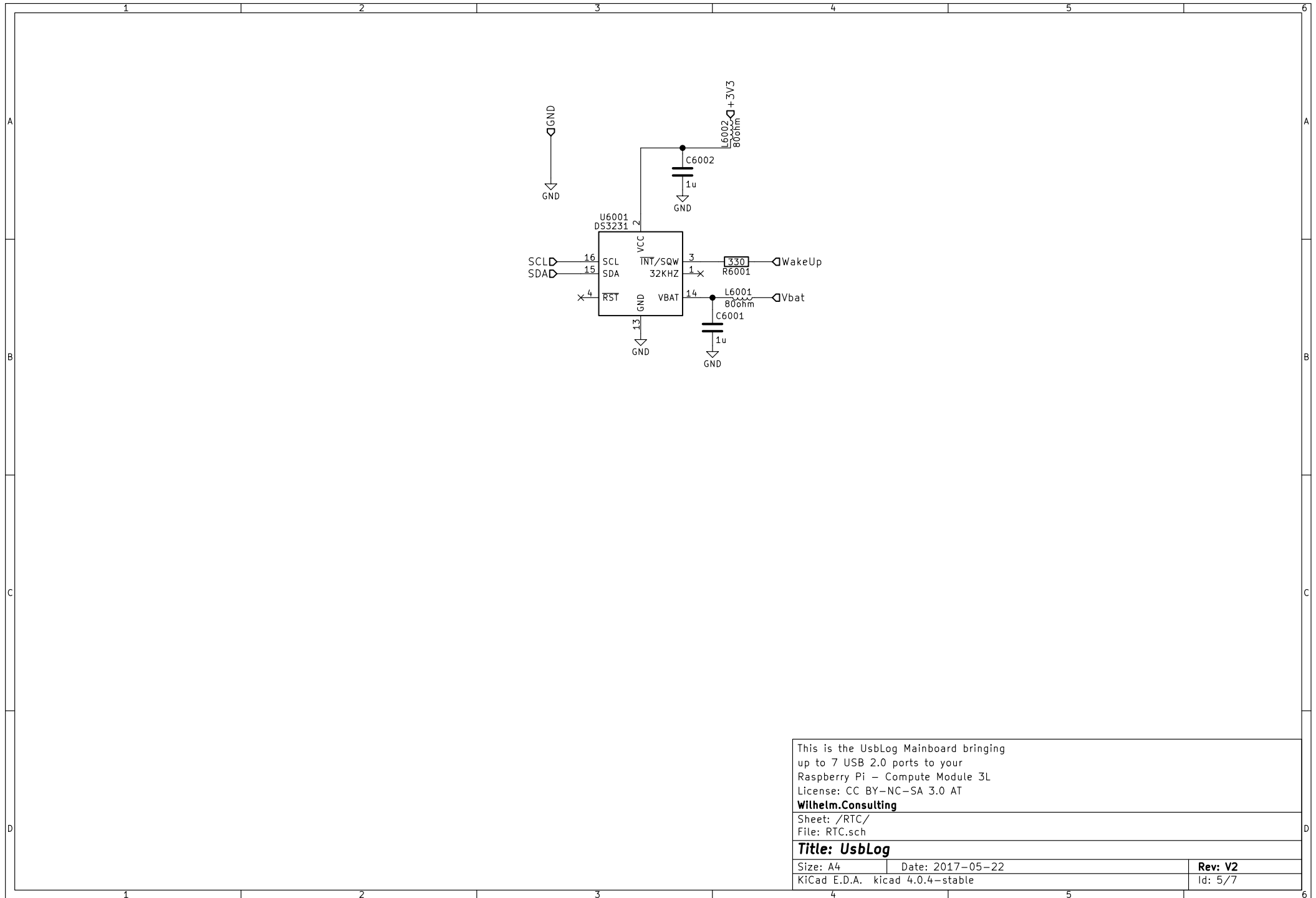
Title: UsbLog

Size: A4 Date: 2017-05-22

KiCad E.D.A. kicad 4.0.4-stable

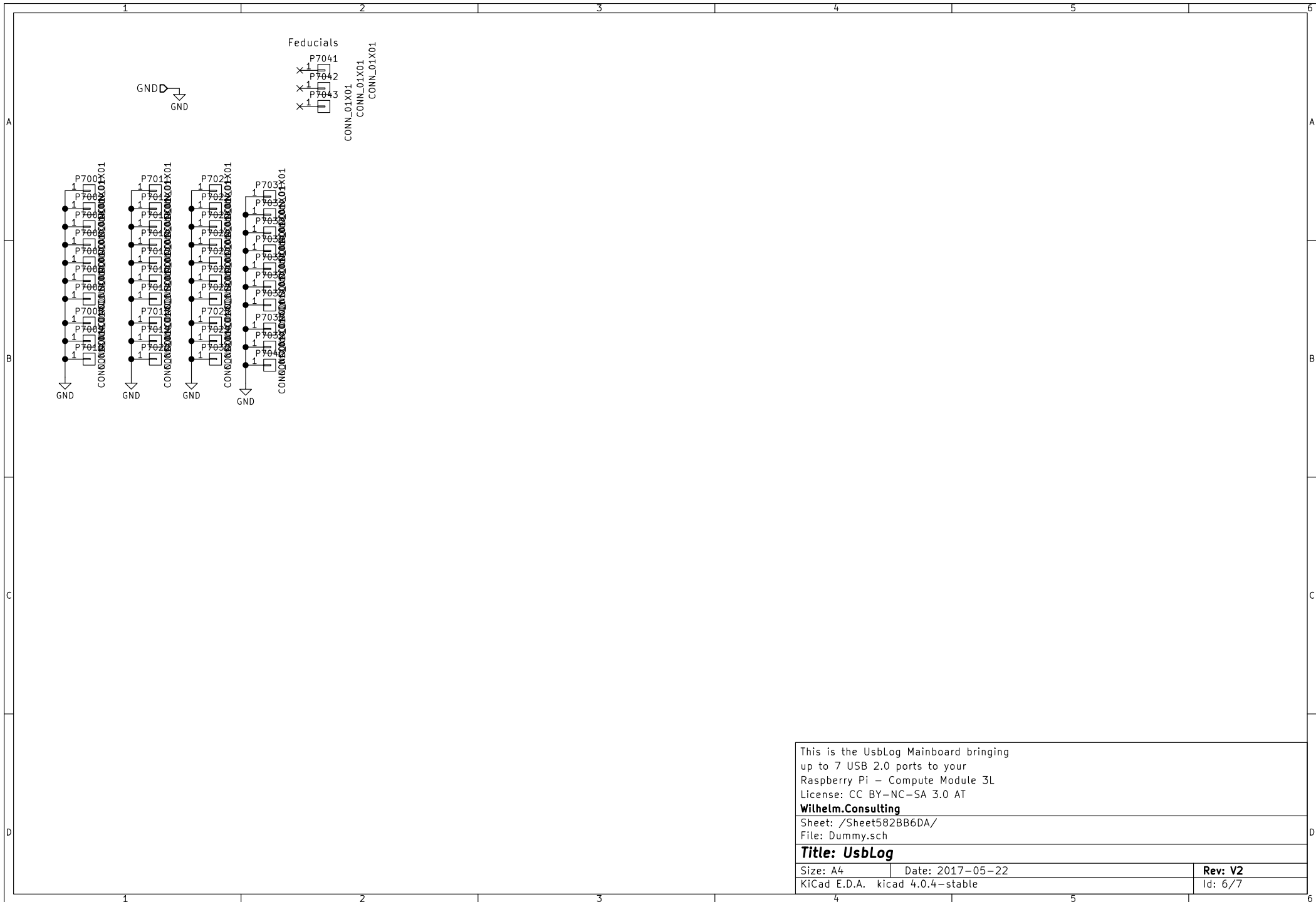
Rev: V2

Id: 4/7



This is the UsbLog Mainboard bringing up to 7 USB 2.0 ports to your Raspberry Pi - Compute Module 3L
 License: CC BY-NC-SA 3.0 AT
Wilhelm.Consulting
 Sheet: /RTC/
 File: RTC.sch

Title: UsbLog	
Size: A4	Date: 2017-05-22
KiCad E.D.A. kicad 4.0.4-stable	Rev: V2
	Id: 5/7



This is the UsbLog Mainboard bringing
 up to 7 USB 2.0 ports to your
 Raspberry Pi - Compute Module 3L
 License: CC BY-NC-SA 3.0 AT

Wilhelm.Consulting

Sheet: /Sheet582BB6DA/
 File: Dummy.sch

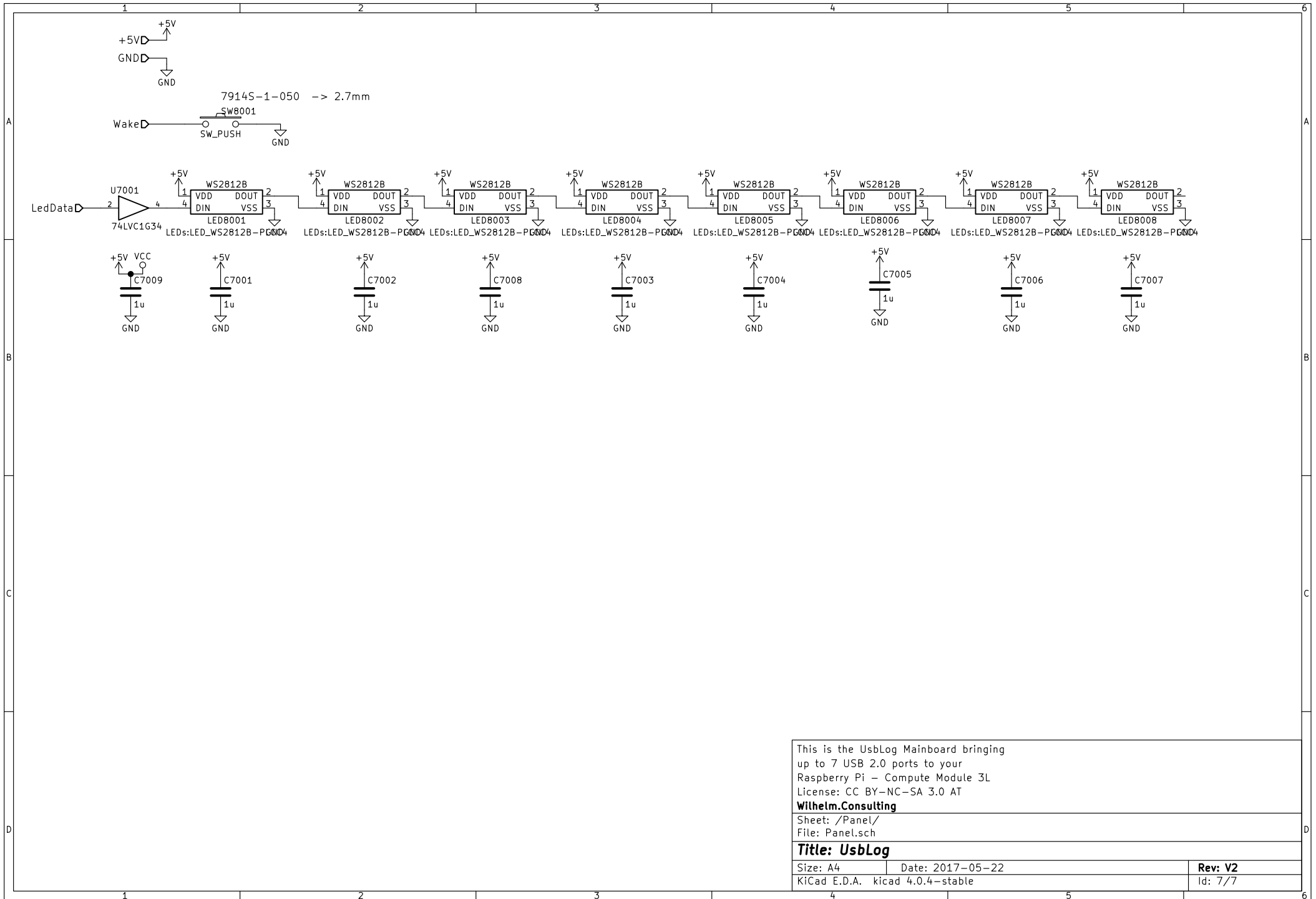
Title: UsbLog

Size: A4 | Date: 2017-05-22

KiCad E.D.A. kicad 4.0.4-stable

Rev: V2

Id: 6/7



This is the UsbLog Mainboard bringing
 up to 7 USB 2.0 ports to your
 Raspberry Pi - Compute Module 3L
 License: CC BY-NC-SA 3.0 AT

Wilhelm.Consulting

Sheet: /Panel/
 File: Panel.sch

Title: UsbLog

Size: A4 Date: 2017-05-22

KiCad E.D.A. kicad 4.0.4-stable

Rev: V2

Id: 7/7