

12

11

10

9

8

7

6

5

4

3

2

1

H

H

G

G

F

F

E

E

D

D

C

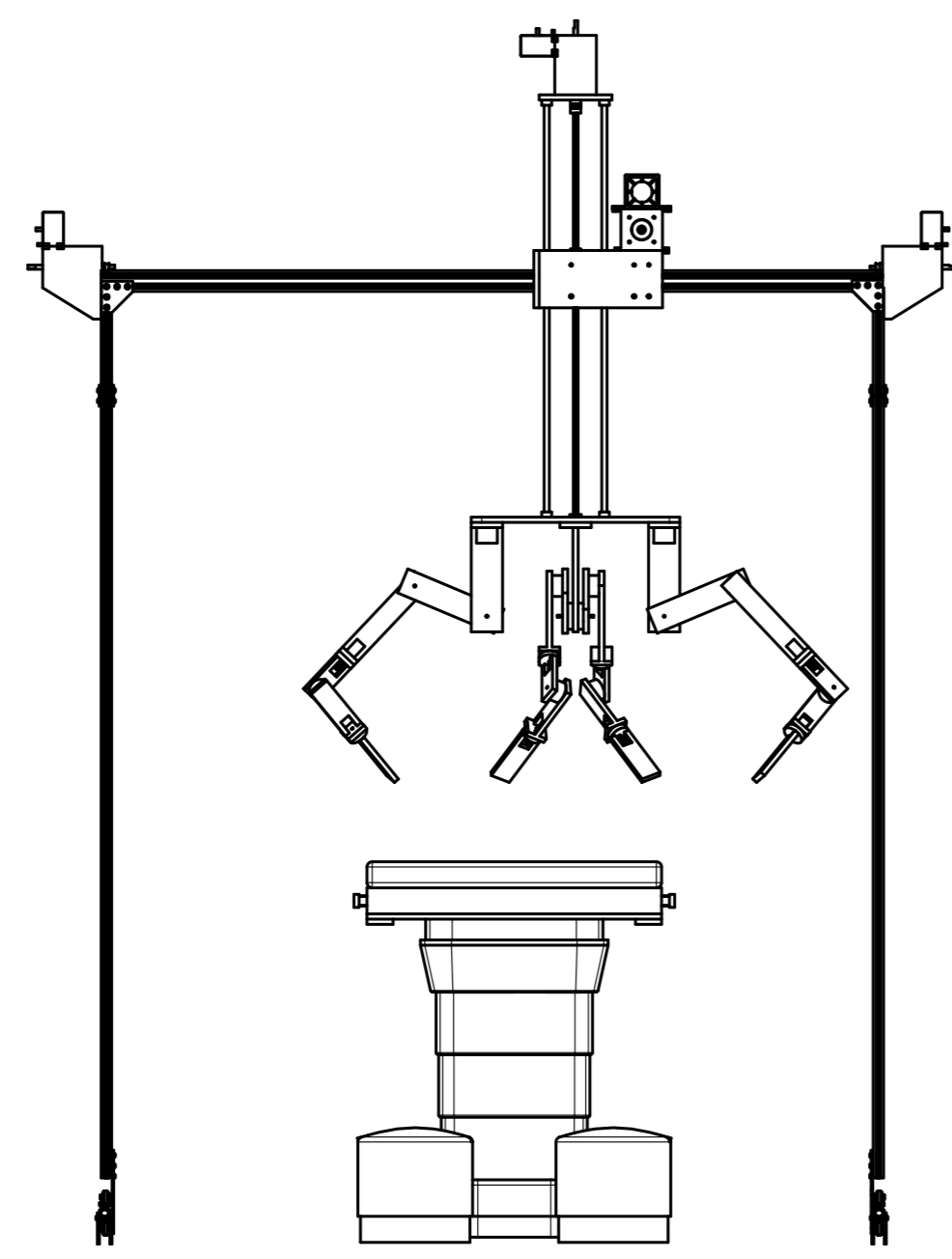
C

B

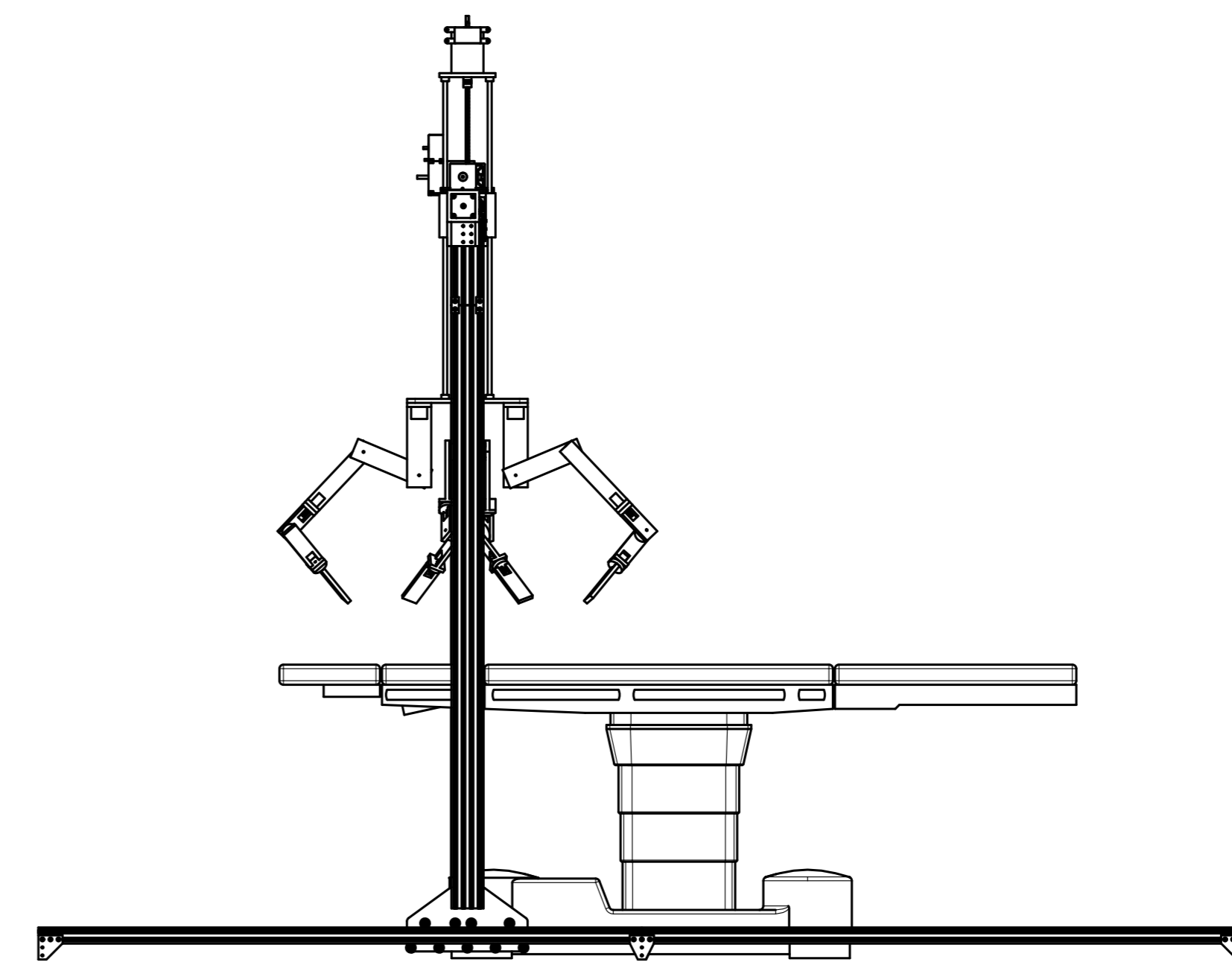
B

A

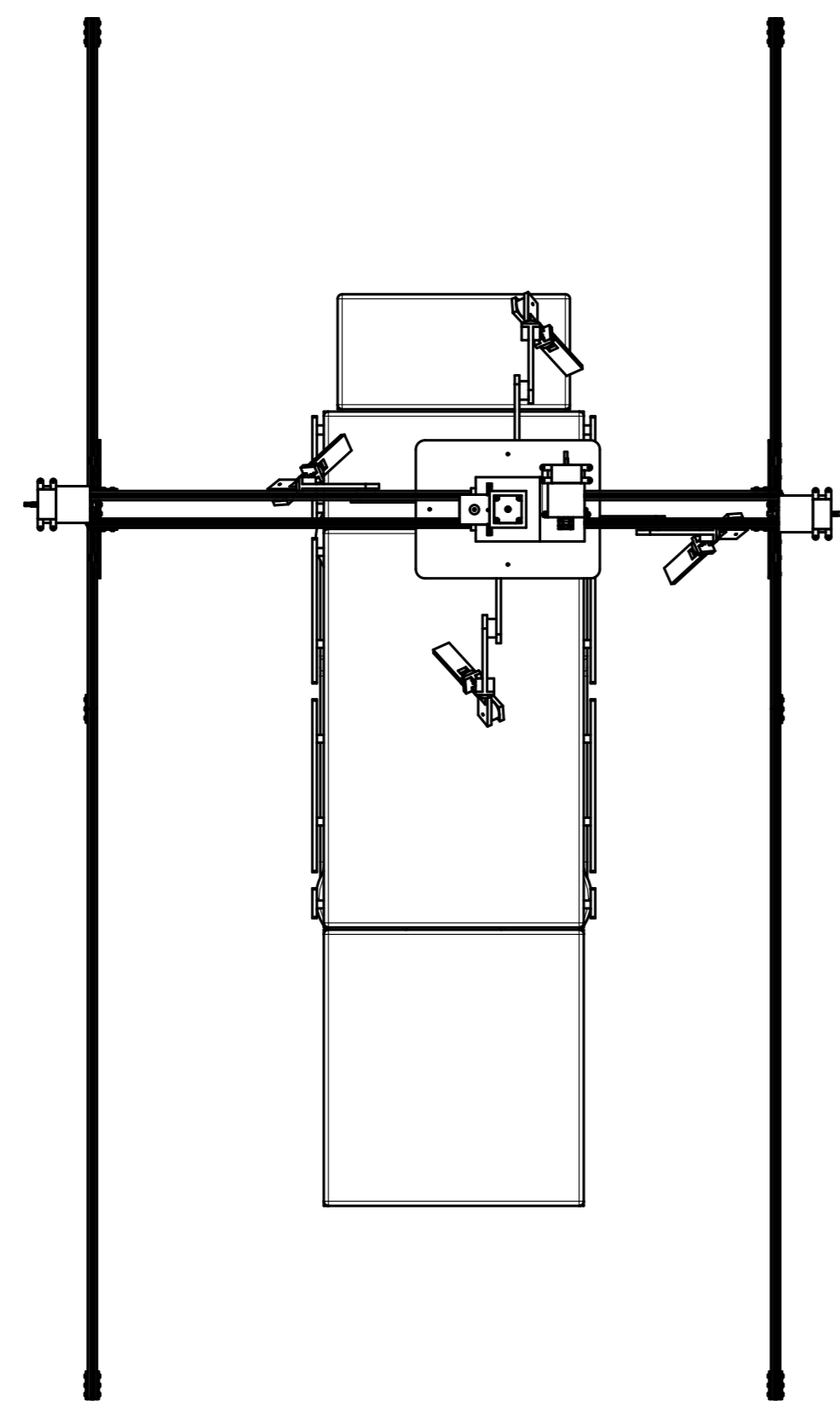
A



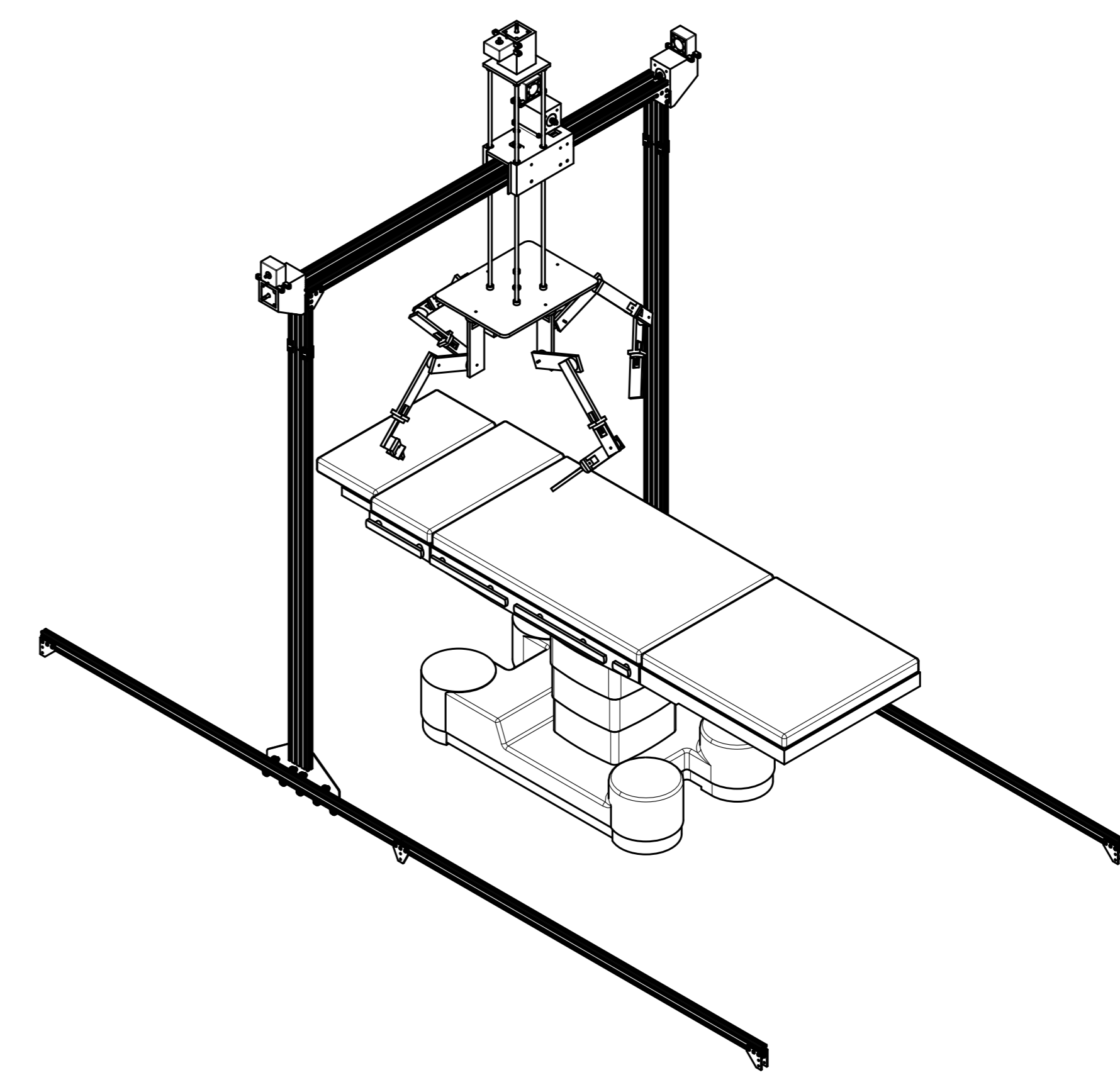
1:14



1:14



1:14



1:14

UNLESS OTHERWISE SPECIFIED, DIMENSIONS ARE IN MILLIMETERS		NAME	SIGNATURE	DATE	TITLE eHOSP Robotic Surgery Platform Basic configuration
ANGULAR = ± °		Alexios Karadimos		2018-04-19	
SURFACE FINISH		CHECKED			
DO NOT SCALE DRAWING		APPROVED			
BREAK ALL SHARP EDGES AND REMOVE BURRS					SIZE A1
FIRST ANGLE PROJECTION		MATERIAL	FINISH		SCALE 1:14
					WEIGHT
					SHEET
					1 of 1

12

11

10

9

8

7

6

5

4

3

2

1