

12

11

10

9

8

7

6

5

4

3

2

1

H

H

G

G

F

F

E

E

D

D

C

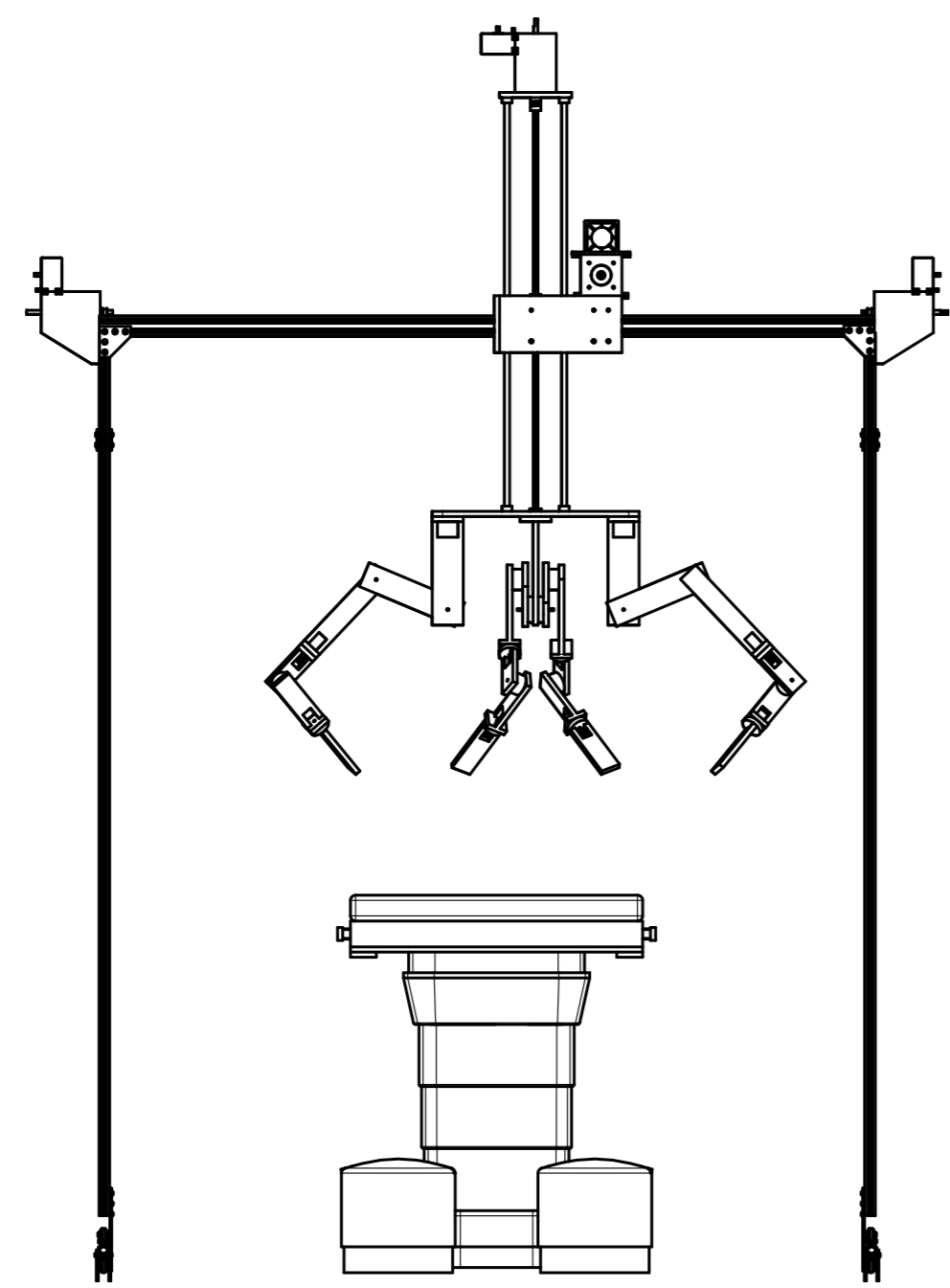
C

B

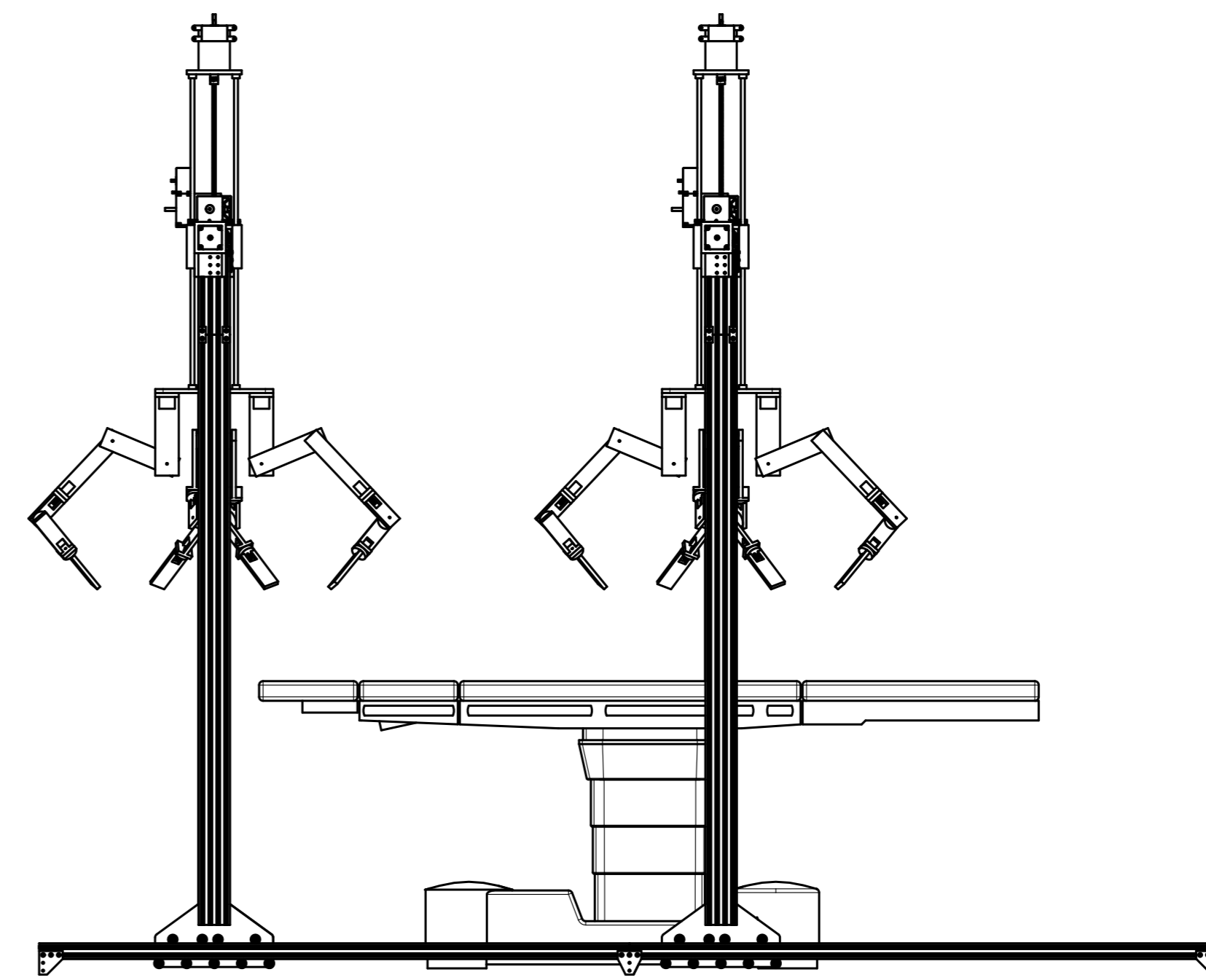
B

A

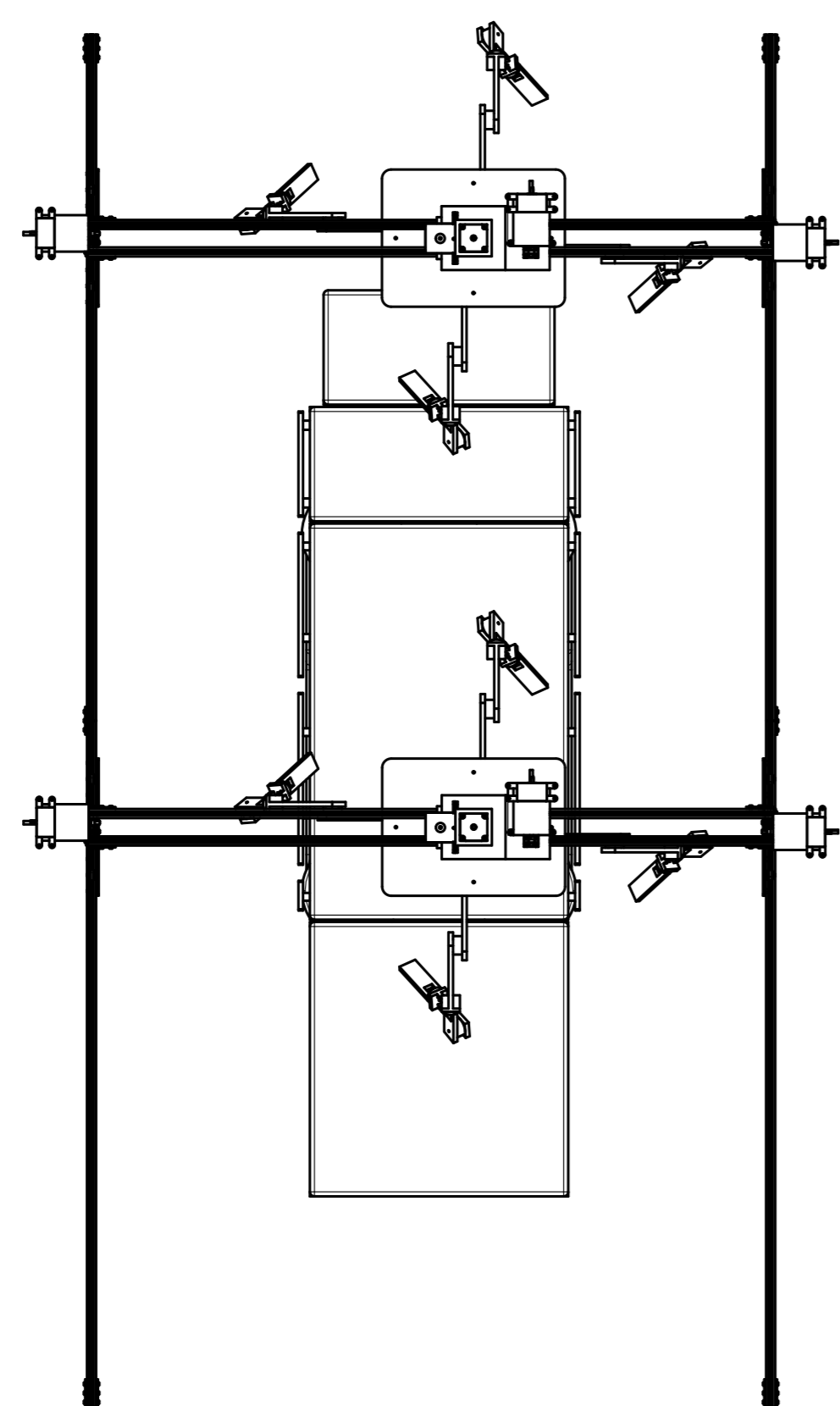
A



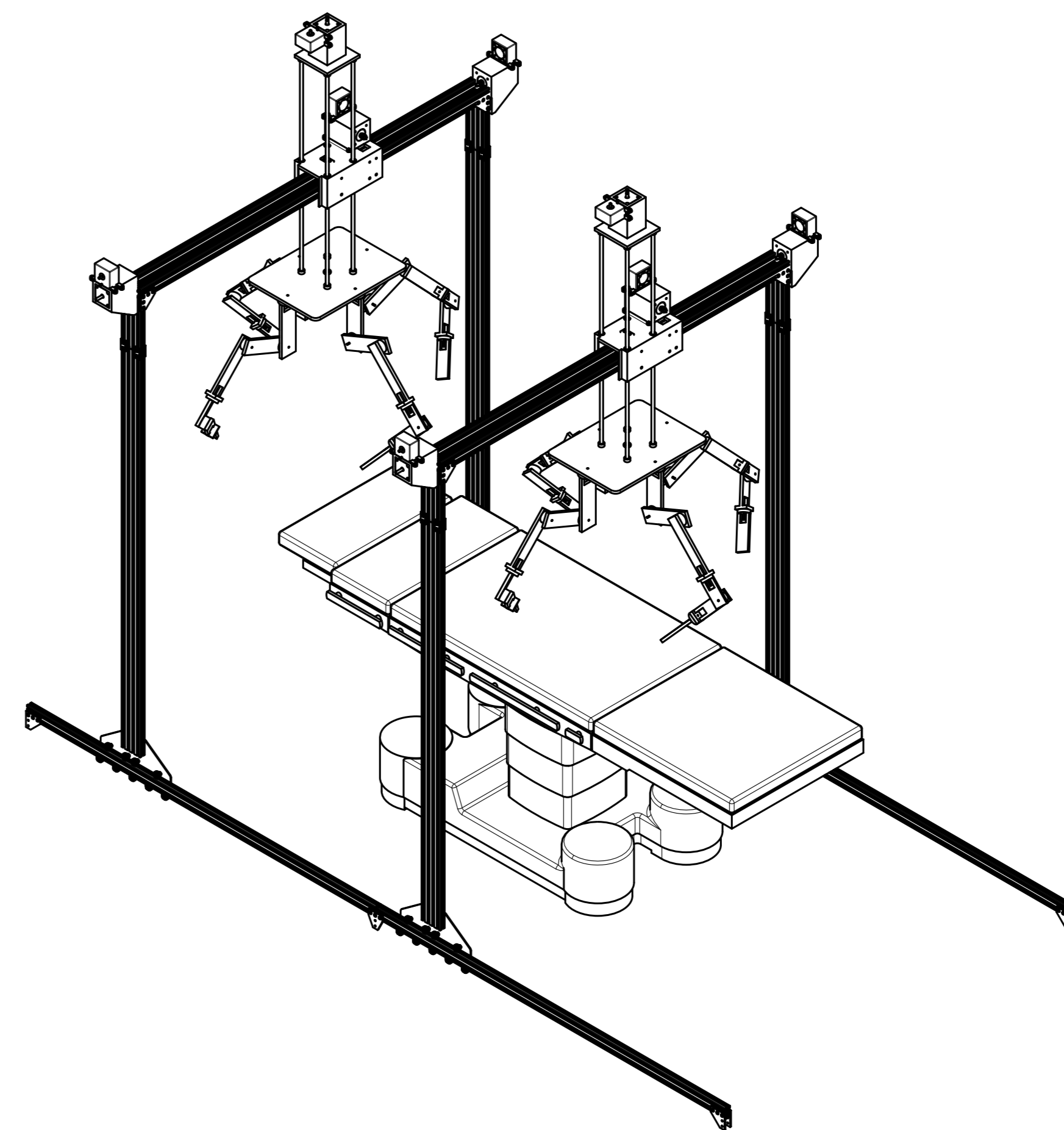
1:14



1:14



1:14



UNLESS OTHERWISE SPECIFIED,
DIMENSIONS ARE IN MILLIMETERS

ANGULAR = ± °

SURFACE FINISH

DO NOT SCALE DRAWING

BREAK ALL SHARP EDGES AND
REMOVE BURRS

FIRST ANGLE PROJECTION



NAME	SIGNATURE	DATE
Alex Karadimos		2018-04-19

DRAWN	
CHECKED	
APPROVED	

MATERIAL	FINISH

TITLE	eHOSP Robotic Surgery Platform

SIZE	A1	DWG. NO.	----	REV.	-
SCALE	1:14	WEIGHT		SHEET	1 of 1

12

11

10

9

8

7

6

5

4

3

2

1