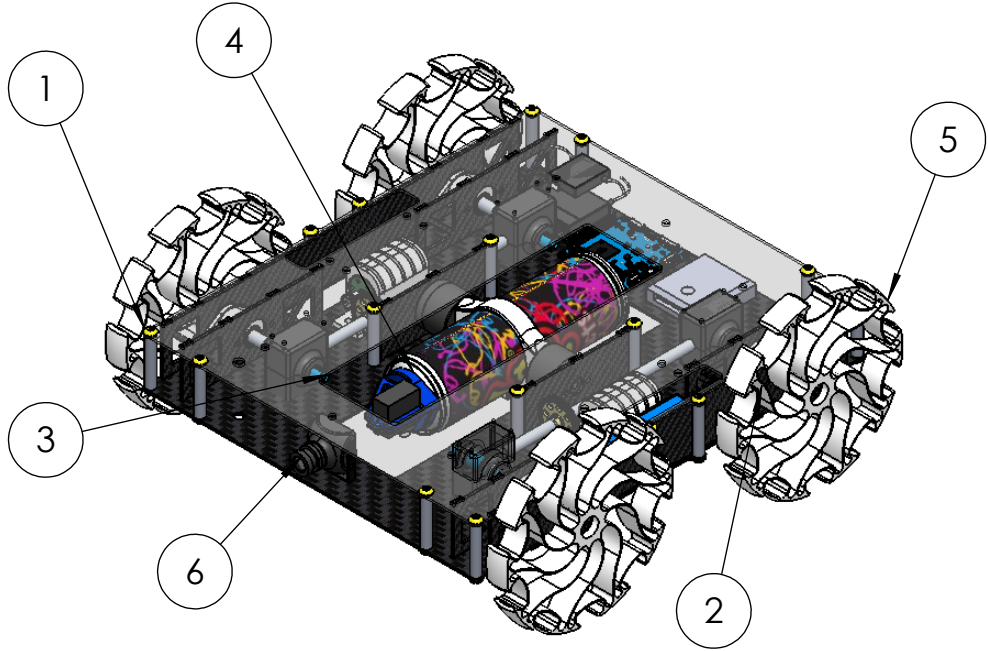
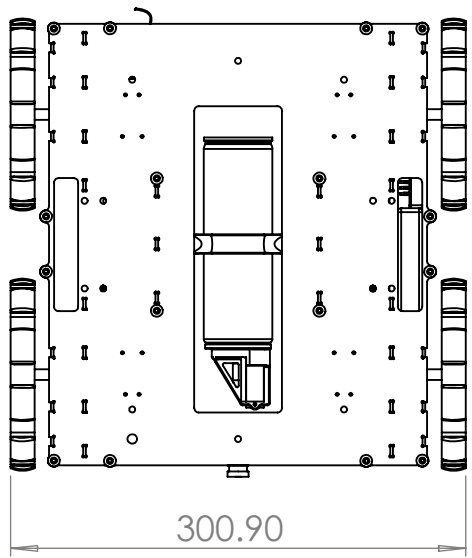


6 5 4 3 2 1

D

D

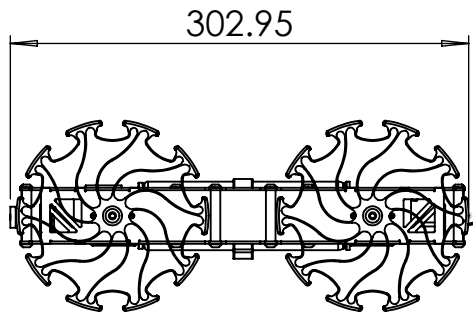
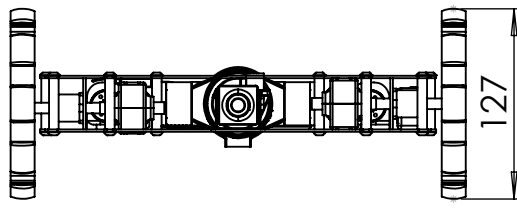


C

C

B

B



ITEM NO.	PART NUMBER	DESCRIPTION	QTY.
1	207_Bot1_17100	GRover's Chassis	1
2	207_Bot1_17200	LEFT DRIVE TRAIN	1
3	207_Bot1_17300	RIGHT DRIVE TRAIN	1
4	207_Bot1_17400	SPRAY MECHANISM	1
5	207_Bot1_17500	GROVER WHEELS	1
6	207_Bot1_17600	ELECTRONICS	1

A

A

**SOLIDWORKS Student Edition
For Academic Use Only.**

PROPRIETARY AND CONFIDENTIAL
THE INFORMATION CONTAINED IN THIS
DRAWING IS THE SOLE PROPERTY OF
"HHSME". ANY REPRODUCTION IN PART
OR AS A WHOLE WITHOUT THE WRITTEN
PERMISSION OF "HHSME" IS PROHIBITED.

UNLESS OTHERWISE SPECIFIED:	
DIMENSIONS ARE IN INCHES TOLERANCES: ±0.01	
MATERIAL	
FINISH	

TEAM 207	
NAME	DATE
DRAWN	7/26/2017
CHECKED	
COMMENTS:	

TITLE:		
GRover		
SIZE	DWG. NO.	REV
B	207_Bot1_17000	
SCALE:1:5	WEIGHT: 2.81	SHEET 1 OF 1

6 5 4 3 2 1