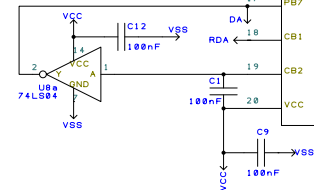
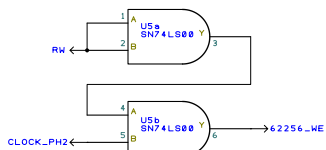
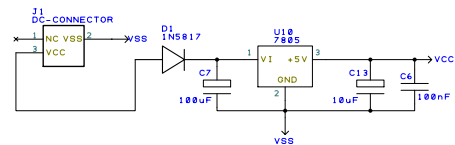


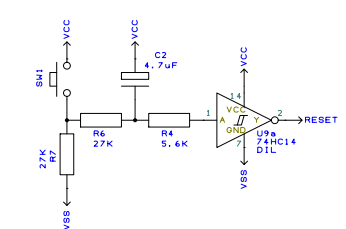
Write RAM on PH2 clock



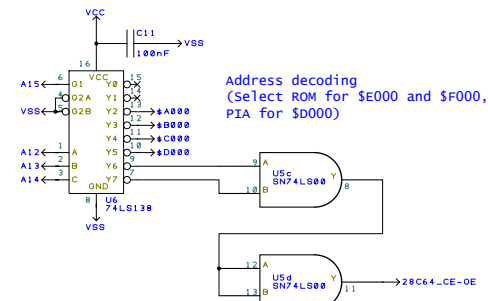
Power input (only for when Arduino is not connected)



Reset circuit



Address decoding (Select ROM for \$E000 and \$F000, PIA for \$D000)



Apple 1 Mini

Revision 1

Last updated on August 3, 2017

Ruud van Falier