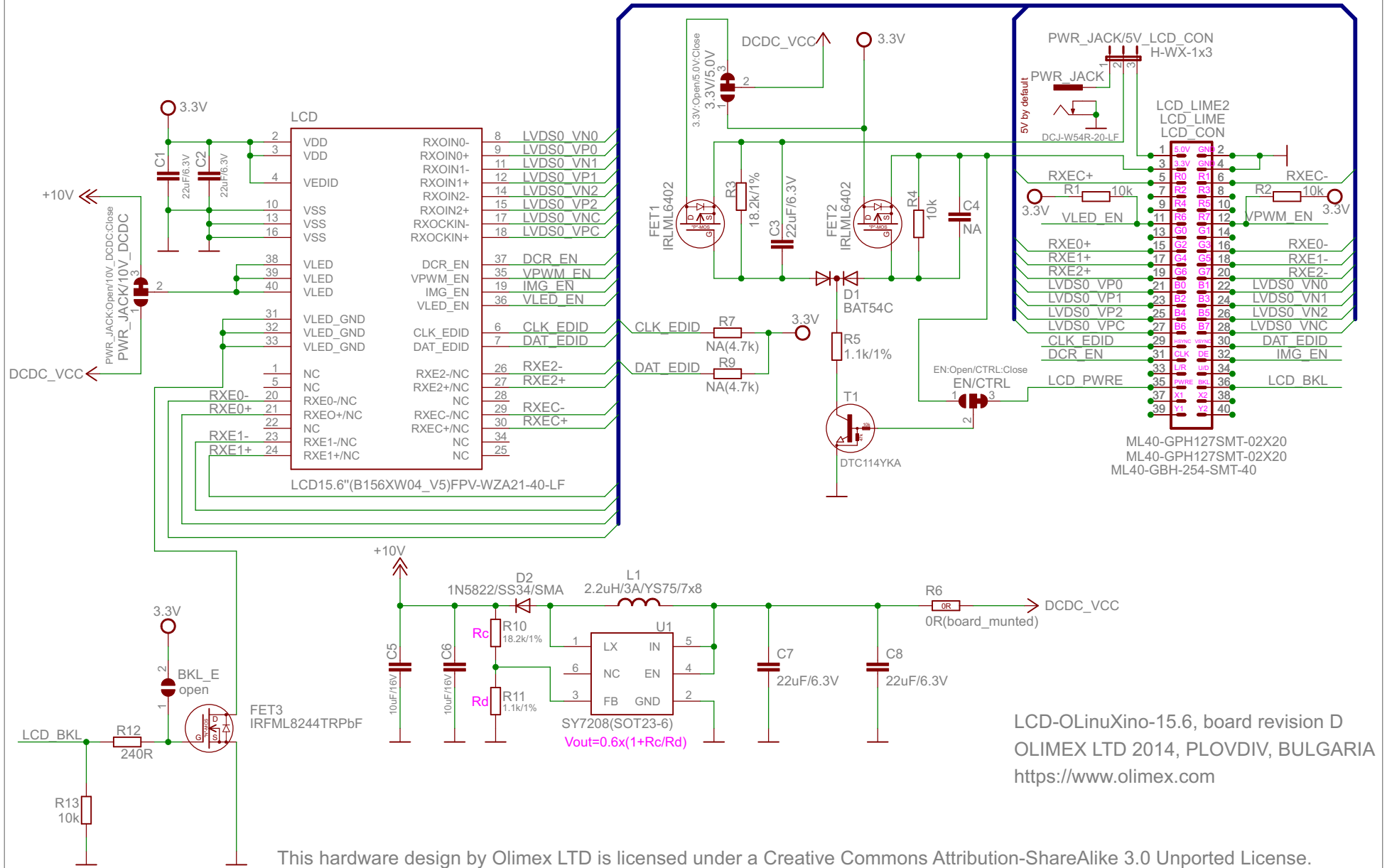


LCD-OLinuXino-15.6, board revision D



LCD-OLinuXino-15.6, board revision D
 OLIMEX LTD 2014, PLOVDIV, BULGARIA
<https://www.olimex.com>

This hardware design by Olimex LTD is licensed under a Creative Commons Attribution-ShareAlike 3.0 Unported License.