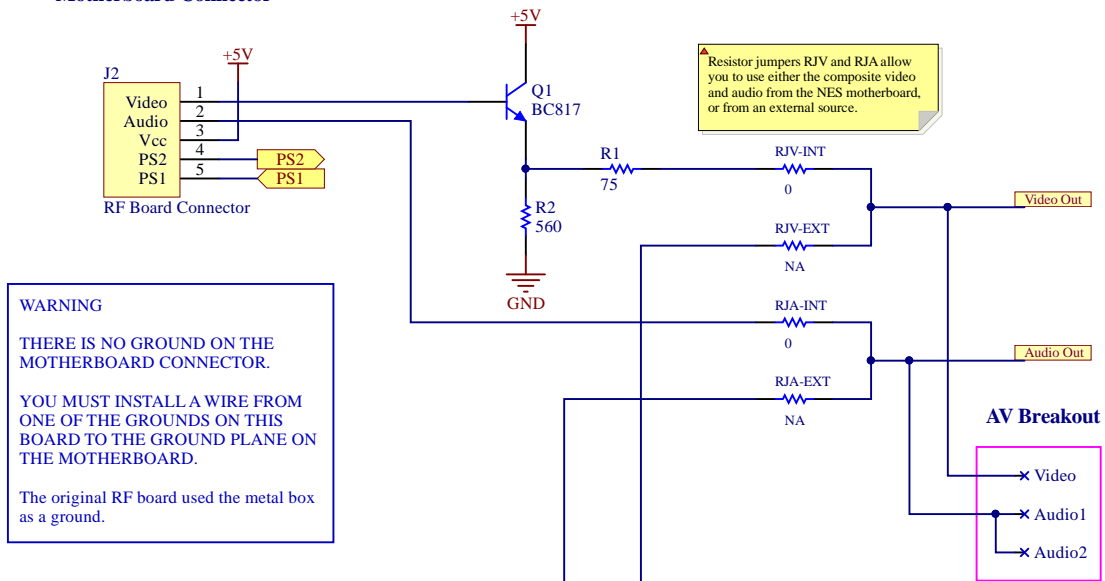
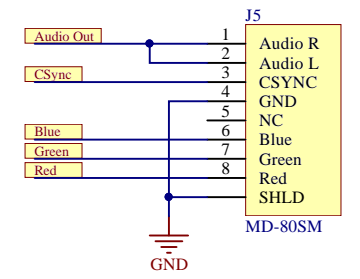


### Motherboard Connector

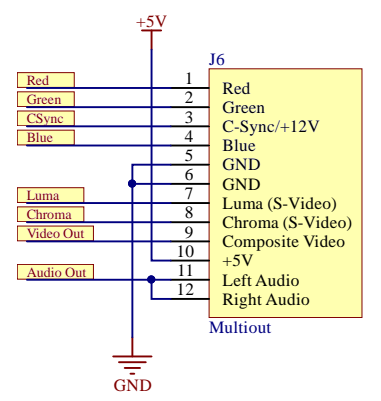


▲ You can leave the case un-modified and use the RCA jacks as composite video and audio outputs. Or, you can use one or both of these AV connectors.  
If you choose to use the simple RCA method, you will need to install jumper wires from the AV Breakout section to the RCA jacks.

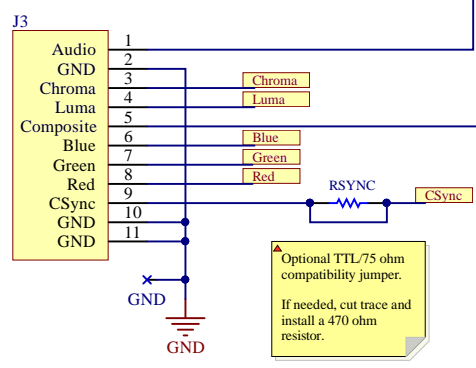
### XRGB Mini DIN Connector



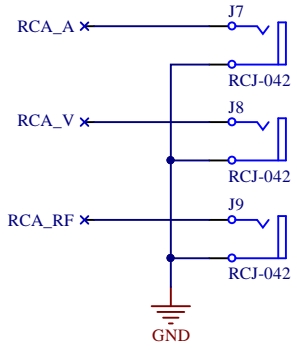
### RetroFixes Multiout Connector



### External Inputs



### RCA Jack Breakout



▲ You will need to install jumper wires to these RCA Jacks.  
You could use the AV jacks like normal, and leave the RF jack unpopulated.  
Or you could use the RF jack as a composite output and the other two as "stereo" audio.

Title **NES Power Entry Board**

Size: Letter

Drawn By: M. Spinks

Revision: 1-0-0

Date: 8/29/2017

Time: 9:20:08 AM

Sheet 1 of 1

File: Power Board Schematic.SchDoc

