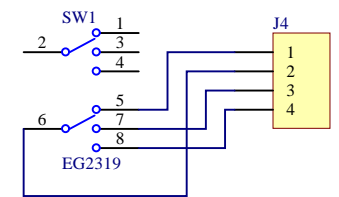
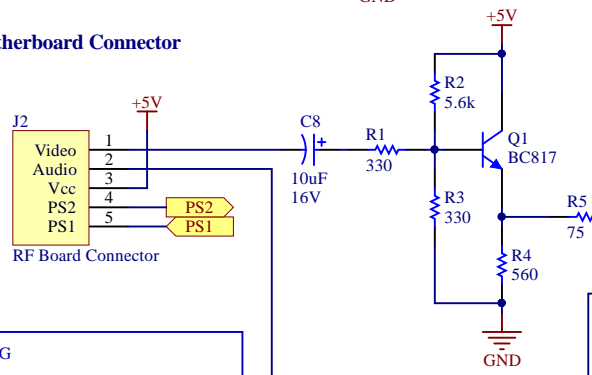


Switch Breakout



▲ Use this switch as the palette select for NES with RGB mod.

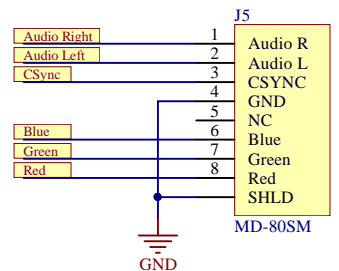
Motherboard Connector



▲ Resistor jumpers RJV and RJA allow you to use either the composite video and audio from the NES motherboard, or from an external source.

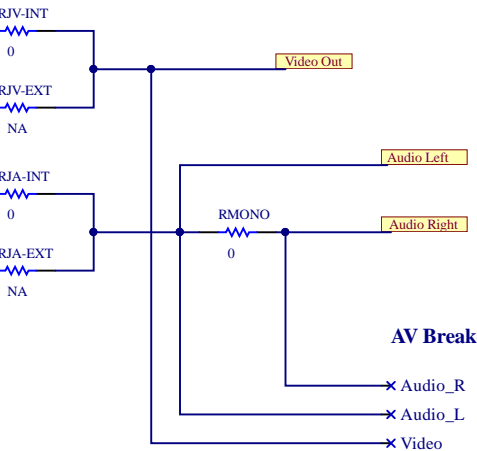
WARNING
THERE IS NO GROUND ON THE MOTHERBOARD CONNECTOR.
YOU MUST INSTALL A WIRE FROM ONE OF THE GROUNDS ON THIS BOARD TO THE GROUND PLANE ON THE MOTHERBOARD.
The original RF board used the metal box as a ground.

XRGB Mini DIN Connector



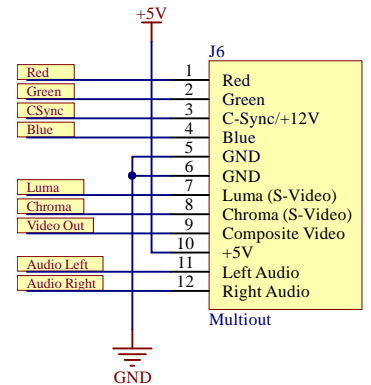
▲ Some people like to perform "stereo" mods to their NES.
If you wish to do so, leave RJA_INT and RJA_EXT unpopulated. Remove RMONO, and supply your own stereo audio wires into the breakout area below.

AV Breakout



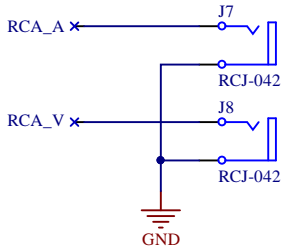
▲ Unless you are using RCA jacks, don't worry about this section.

RetroFixes Multiout Connector

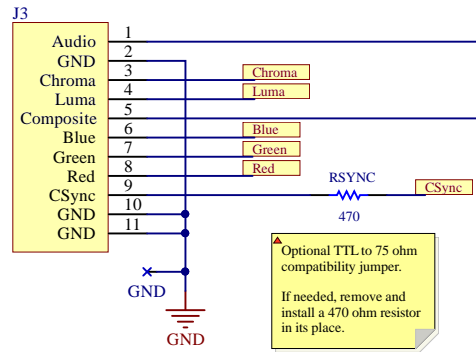


▲ Install jumpers between the AV breakout section and the RCA jack breakout section to use the RCA jacks. This will let you route audio or video anywhere you want.

RCA Jack Breakout



External Inputs



▲ Optional TTL to 75 ohm compatibility jumper.
If needed, remove and install a 470 ohm resistor in its place.

Title **NES Power Entry Module (Version A)**

Size: Letter

Drawn By: M. Spinks

Revision: 2-0-0

Date: 9/4/2018

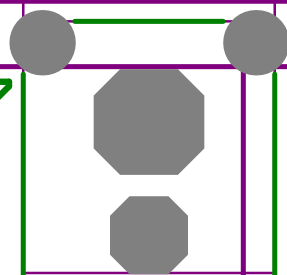
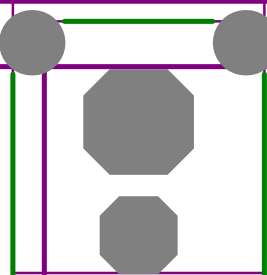
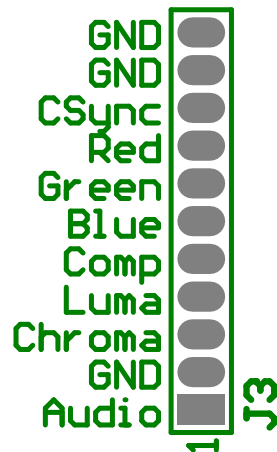
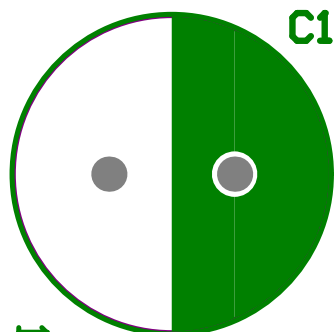
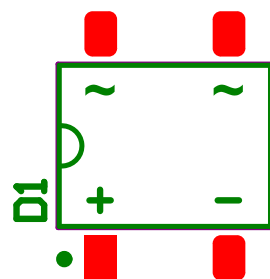
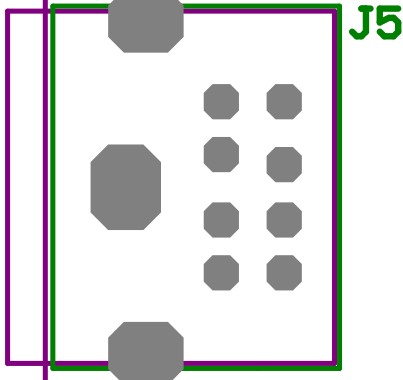
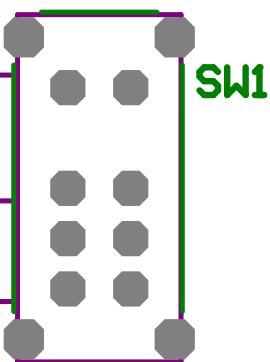
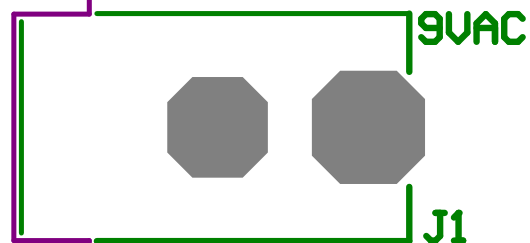
Time: 3:49:10 PM

Sheet 1 of 1

File: Power Board Schematic Ver A.SchDoc

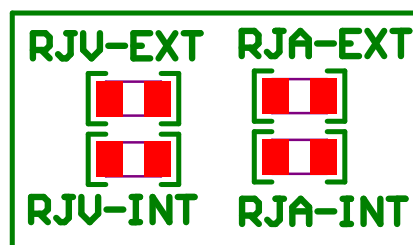
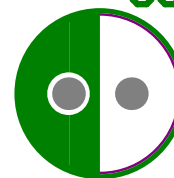
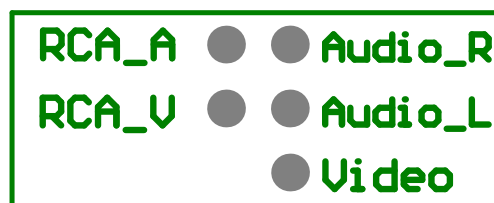
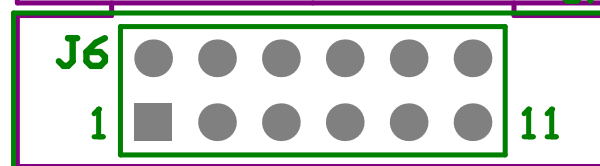
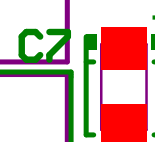


Spinks NES PEM (Ver.A)
rev 2-0-0
9/4/2018



RCA_V

RCA_A



PS1

PS2

Vcc

R5

R4

Q1

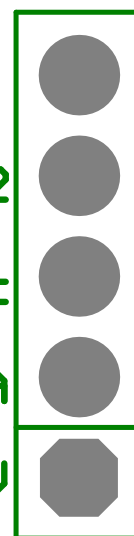
R2

R1

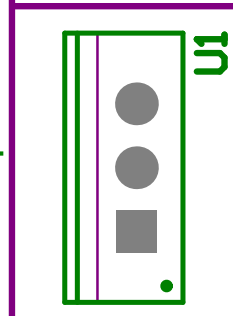
R3

PA

PV



J2



U1



COM

COM

Audio
END
Chroma
Luma
Comp
Blue
Green
Red
CSync
END
END

13

14

C8

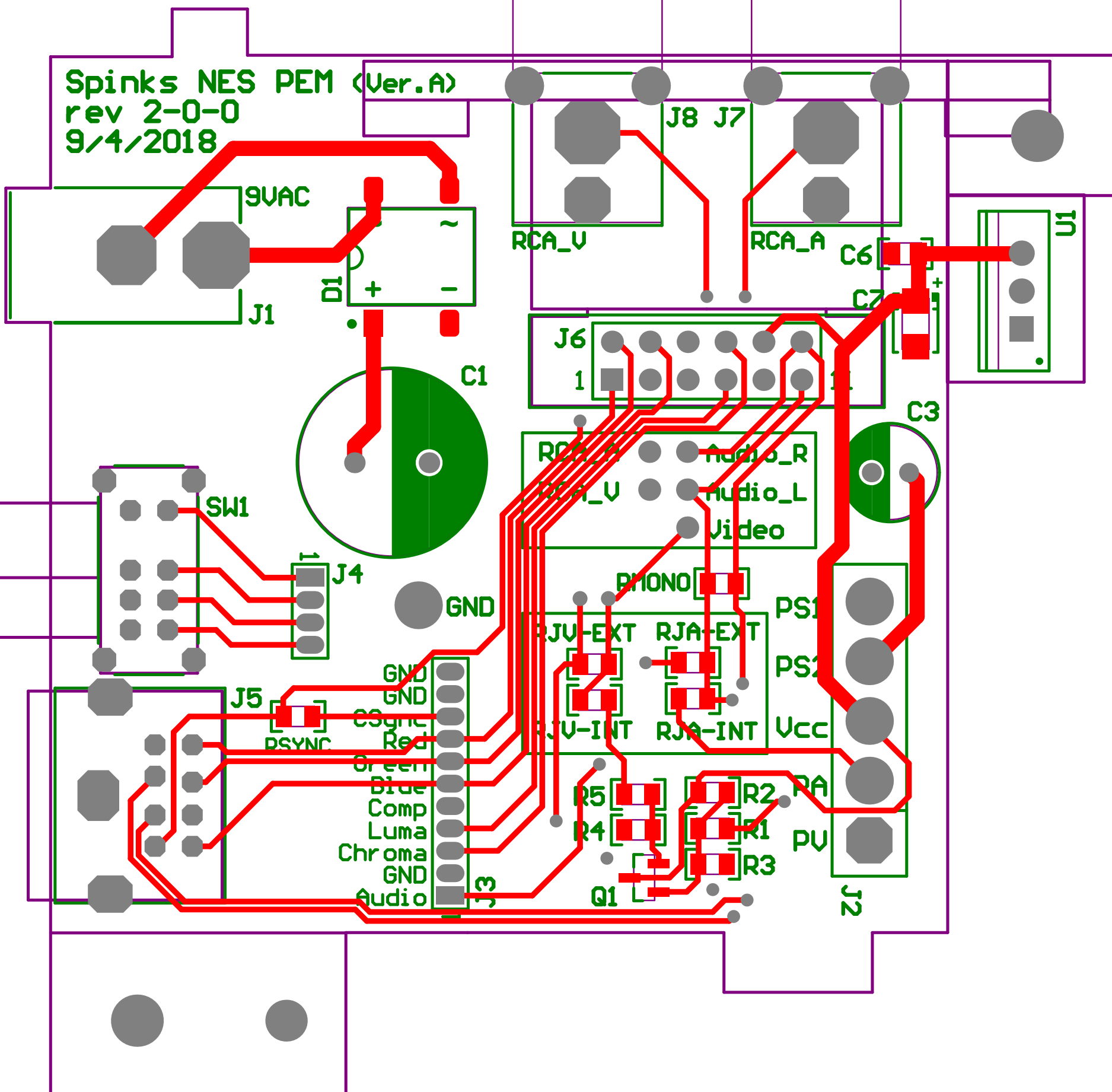
C5

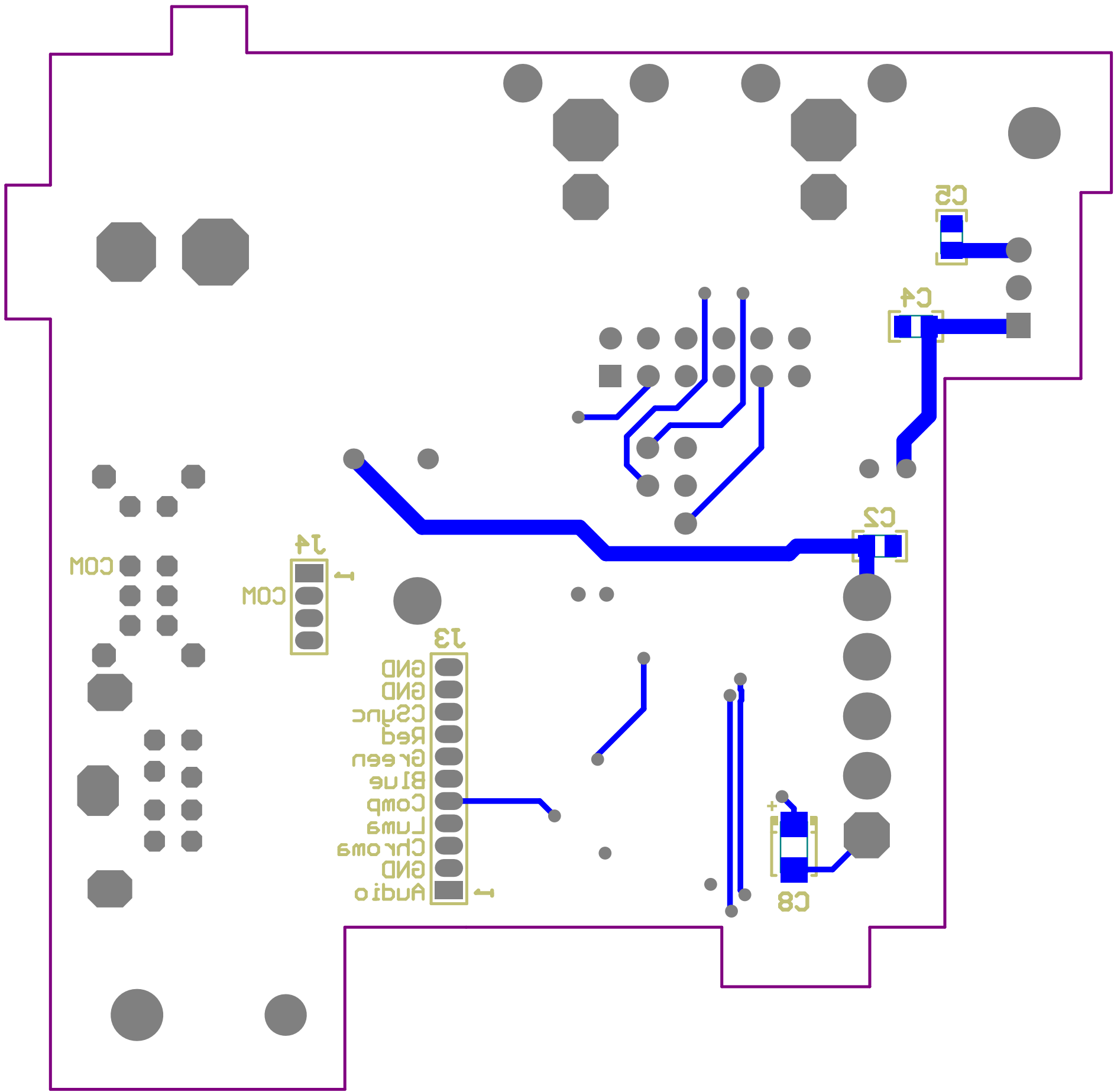
C4

C2

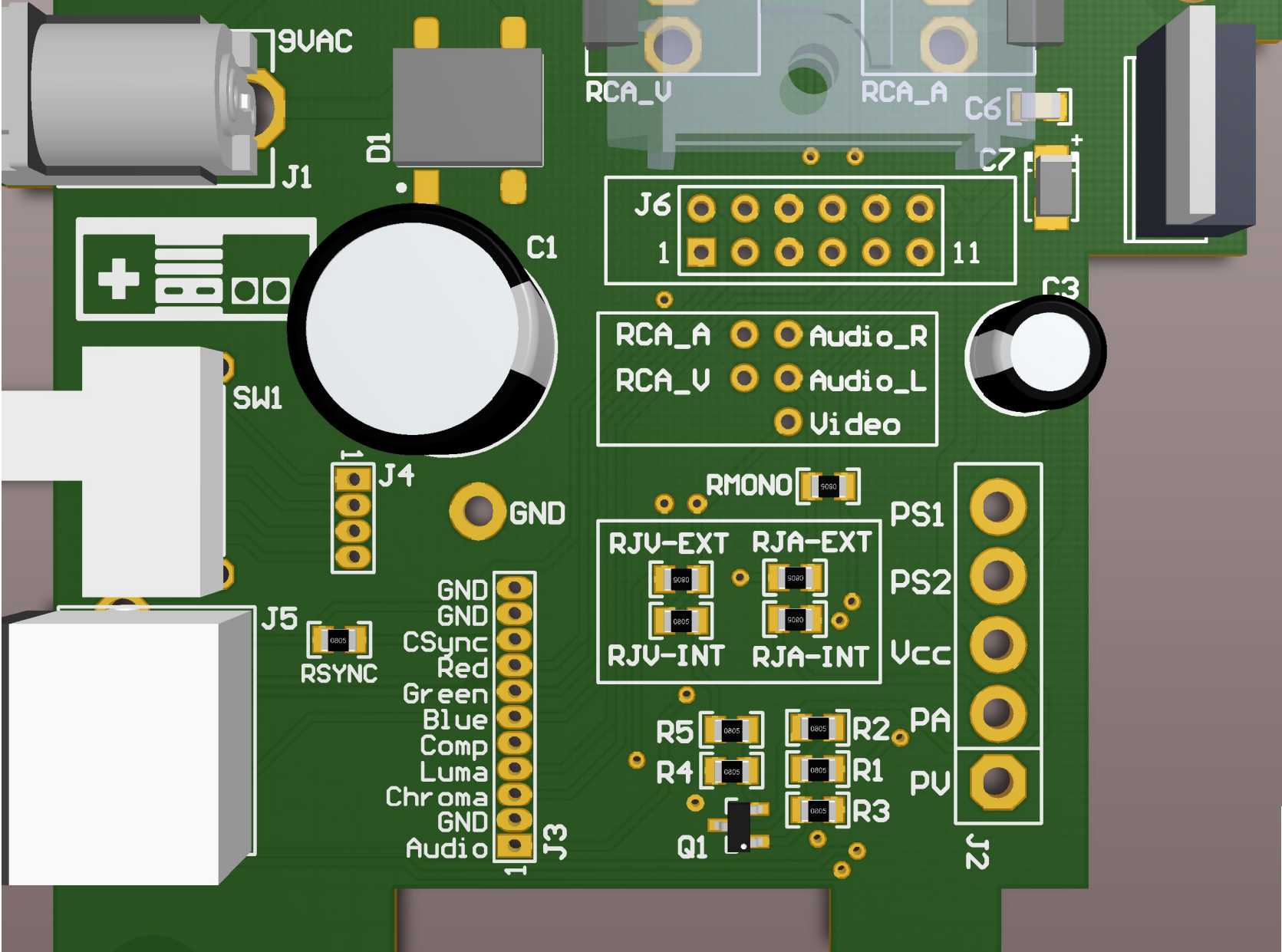


Spinks NES PEM (Ver.A)
rev 2-0-0
9/4/2018





Spinks NES PEM (Ver.A)
rev 2-0-0
9/4/2018





C5

C4

C2

C8

J4

COM

COM

J3

- GND
- GND
- CSync
- Red
- Green
- Blue
- Comp
- Luma
- Chroma
- GND
- Audio



Spinks NES PEM (Ver.A)
rev 2-0-0
9/4/2018

