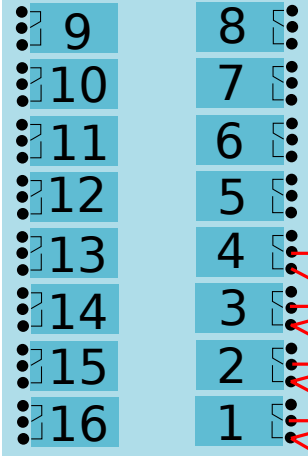


# Computer

```
# Python code for a 7-segment display driver. It defines a function to convert a decimal number to a 7-bit binary representation and then uses a lookup table to determine which segments of the display should be lit. The code includes comments in Chinese explaining the logic and the lookup table.
```

USB

# Relay



# Actuators

