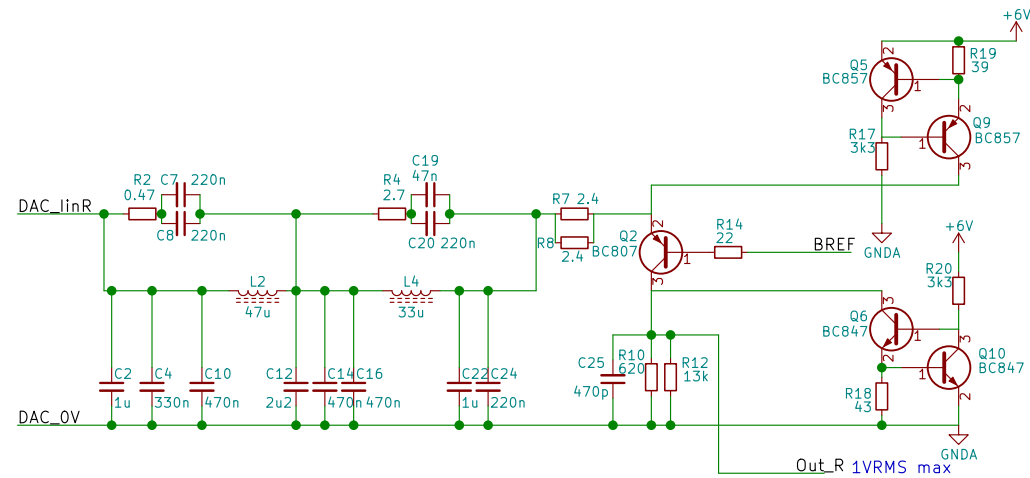
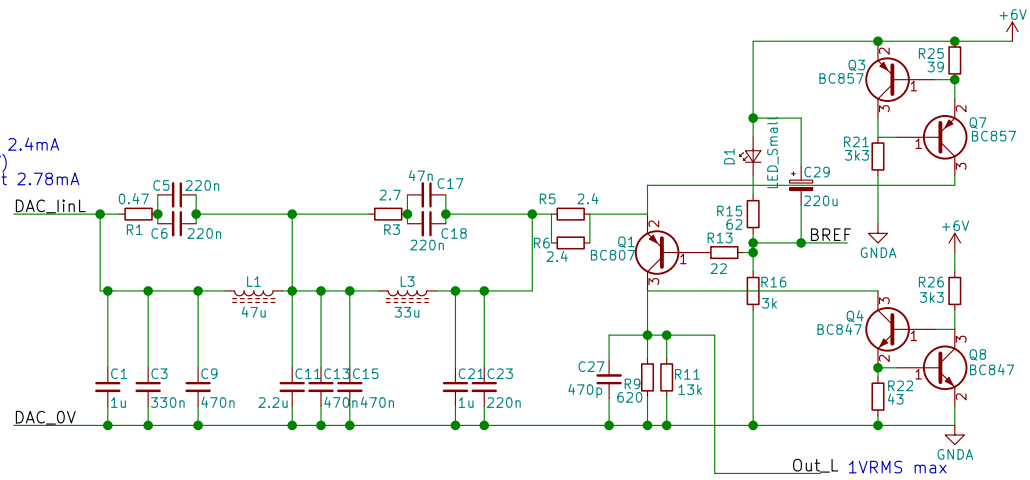


DAC peak current 2.4mA
 (4*TDA1387 @ 6V)
 DAC offset current 2.78mA



Sheet: /
 File: lingDACfilter.sch

Title: Stereo lingDAC filter & IV stage

Size: A4 Date: 2nd Mar 2018

KiCad E.D.A. kicad 4.0.7

Rev: 0.1

Id: 1/1